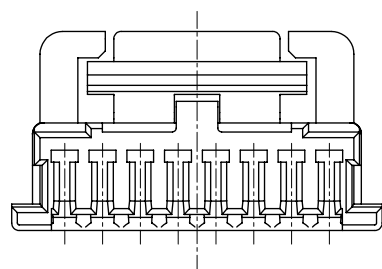
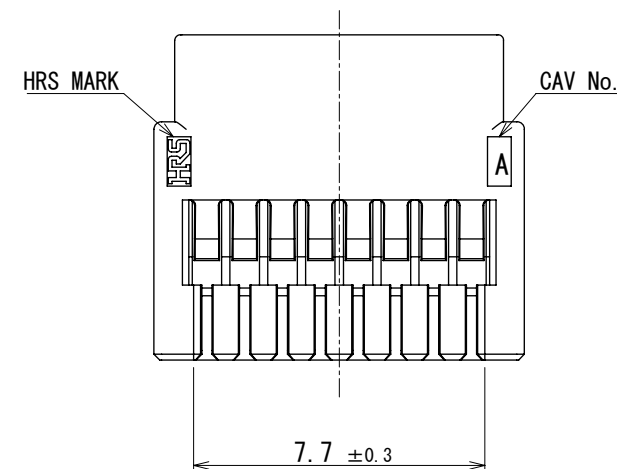
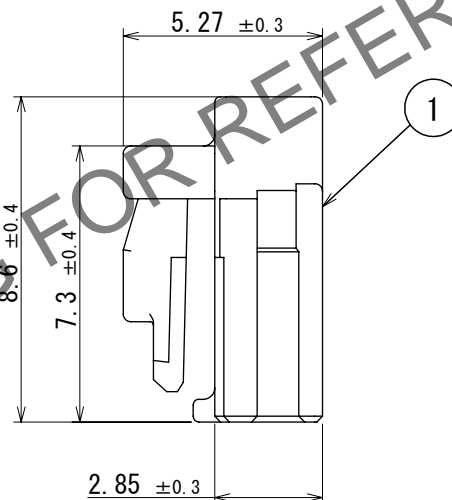
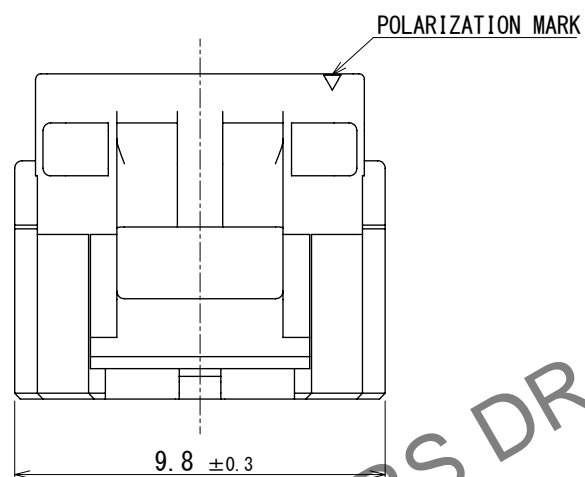
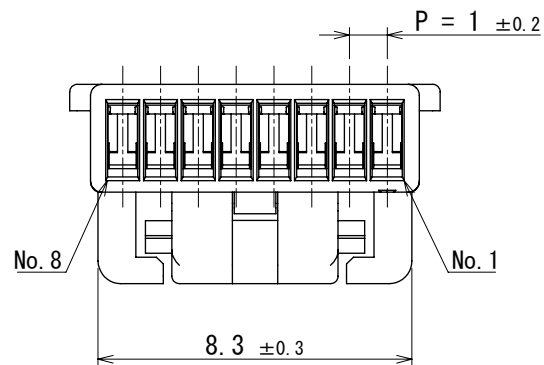


Dec.1.2024 Copyright 2024 HIROSE ELECTRIC CO., LTD. All Rights Reserved.
 In case of consideration for using Automotive equipment / device which demand high reliability, kindly contact our sales window correspondents.

ELV. RoHS COMPLIANT



NOTE 1. PER PACK : 100 PIECES

| UNITS | SCALE | COUNT | DESCRIPTION OF REVISIONS | DESIGNED | CHECKED | DATE |
|-------------------------|-------|-------|--------------------------|------------------------------|---------|------|
| mm | 5:1 | △ | | | | |
| APPROVED : AH. EDASHIGE | | | 2023. 10. 12 | DRAWING NO. EDC-392592-00-00 | | |
| CHECKED : HH. TSUKUMO | | | 2023. 10. 12 | PART NO. GT50-8S-1C | | |
| DESIGNED : RS. TAKAGI | | | 2023. 10. 11 | CODE NO. CL0760-1009-0-00 | | |
| DRAWN : RS. TAKAGI | | | 2023. 10. 11 | △ 1/1 | | |