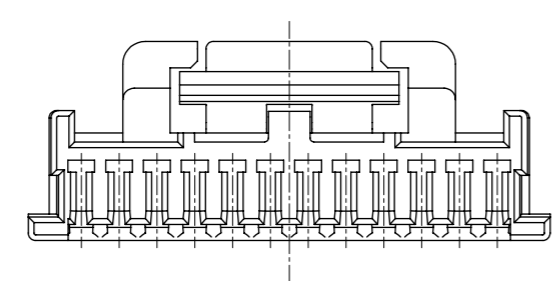
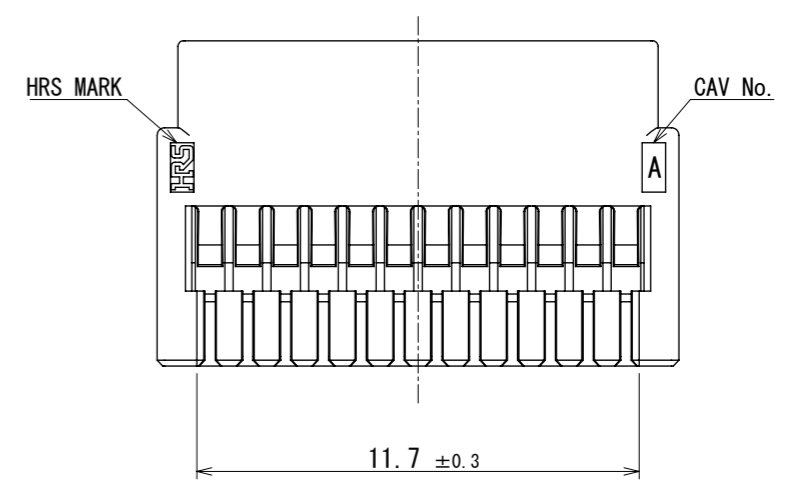
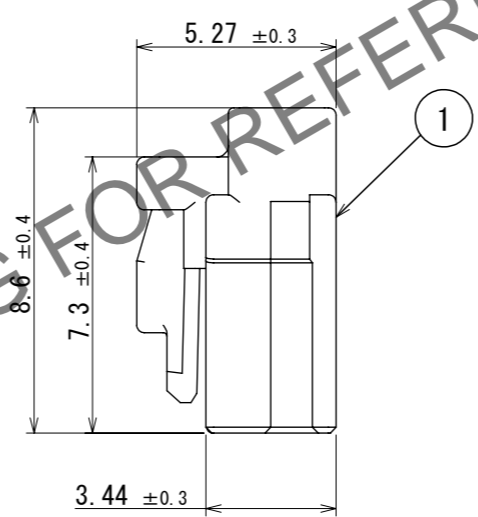
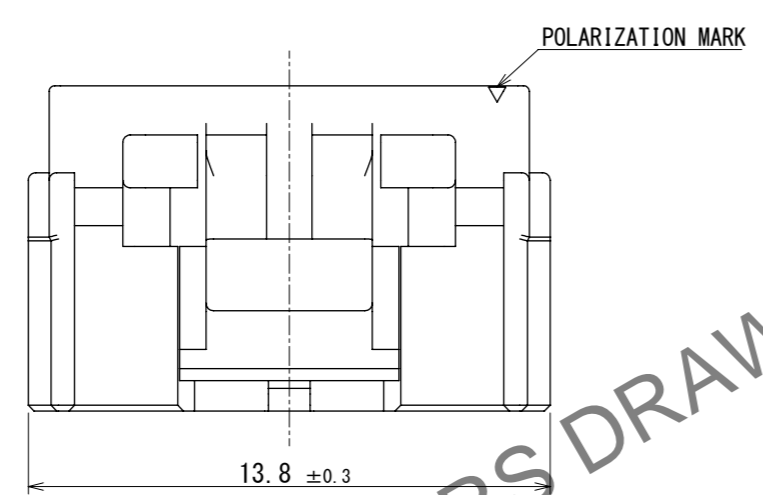
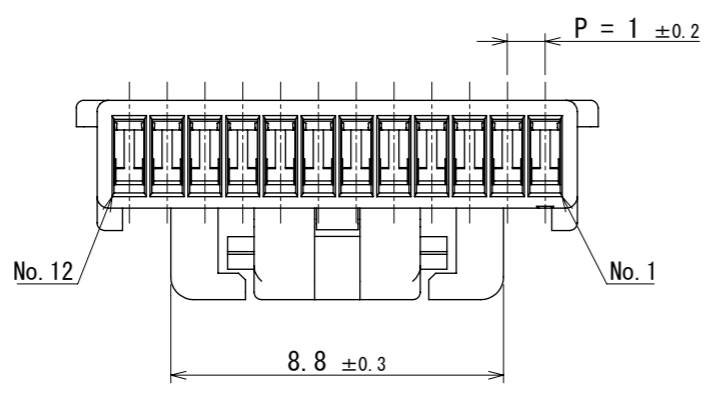


Dec.1.2024 Copyright 2024 HIROSE ELECTRIC CO., LTD. All Rights Reserved.
 In case of consideration for using Automotive equipment / device which demand high reliability, kindly contact our sales window correspondents.

ELV. RoHS COMPLIANT



NOTE 1. PER PACK : 100 PIECES

UNITS	SCALE	COUNT	DESCRIPTION OF REVISIONS	DESIGNED	CHECKED	DATE
mm	5:1	△				
APPROVED : AH. EDASHIGE			2023. 10. 12	DRAWING NO. EDC-392594-00-00		
CHECKED : HH. TSUKUMO			2023. 10. 12	PART NO. GT50-12S-1C		
DESIGNED : RS. TAKAGI			2023. 10. 11	CODE NO. CL0760-1011-0-00		
DRAWN : RS. TAKAGI			2023. 10. 11	△ 1/1		