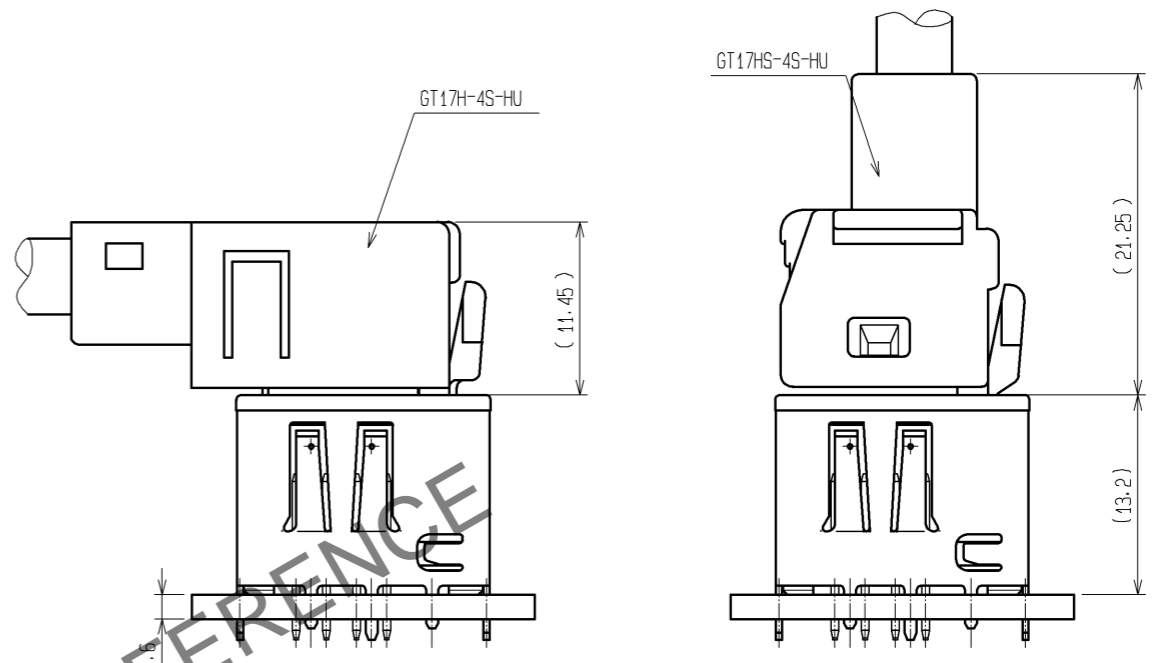
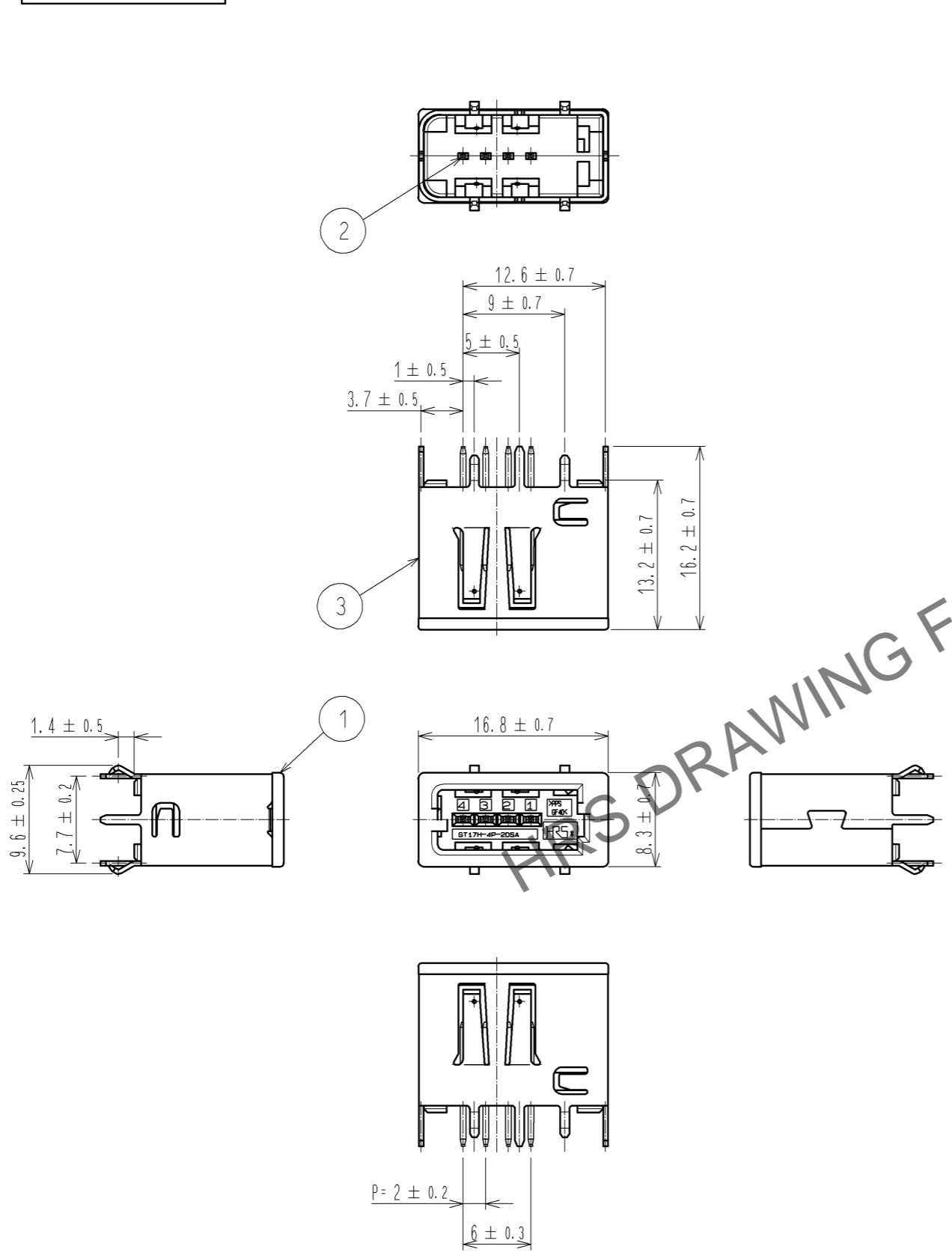
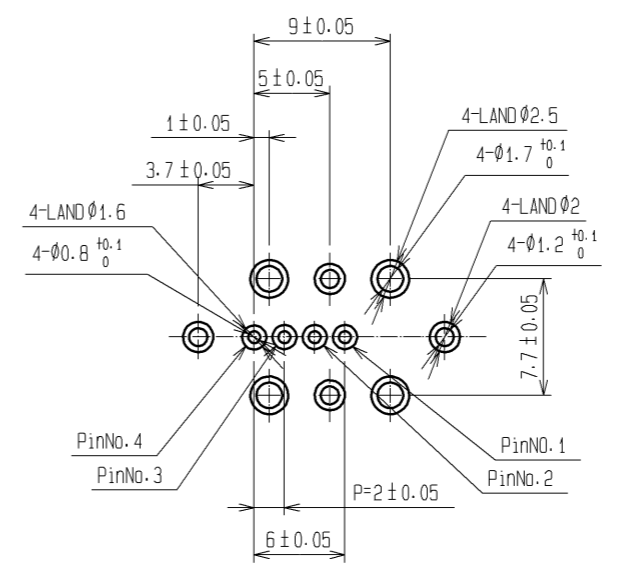


Sep.1.2024 Copyright 2024 HIROSE ELECTRIC CO., LTD. All Rights Reserved.  
In case of consideration for using Automotive equipment / device which demand high reliability, kindly contact our sales window correspondents.

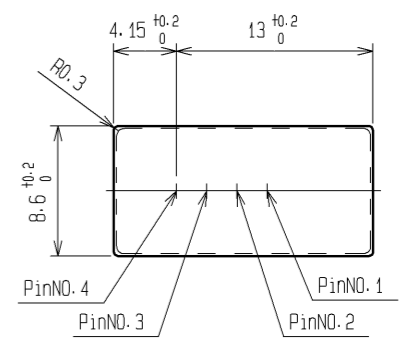
ELV. RoHS COMPLIANT



MATED CONNECTORS



RECOMMENDED PCB PATTERN



RECOMMENDED PANEL LAYOUT

2	BRASS	TIN PLATING	3	COPPER ALLOY	TIN PLATING			
1	PPS	LIGHT GRAY						
NO.	MATERIAL	FINISH . REMARKS	NO.	MATERIAL	FINISH . REMARKS			
UNITS	mm	SCALE	2 : 1	COUNT	DESCRIPTION OF REVISIONS	DESIGNED	CHECKED	DATE
<b>HRS</b> HIROSE ELECTRIC CO., LTD.		APPROVED : AR. SHIRAI	12.09.25	DRAWING NO. EDC3-169444-00				
		CHECKED : AR. SHIRAI	12.09.25	PART NO. GT17HM2-4P-2DSA				
		DESIGNED : TS. KUBOTA	12.09.03	CODE NO. CL767-0297-7-00				
		DRAWN : TS. KUBOTA	12.09.03					