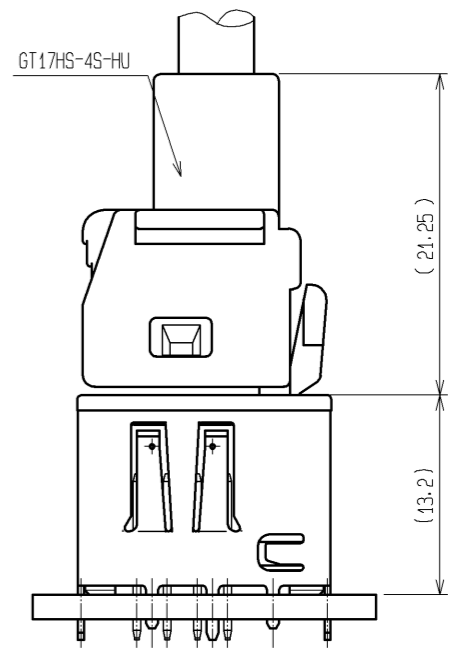
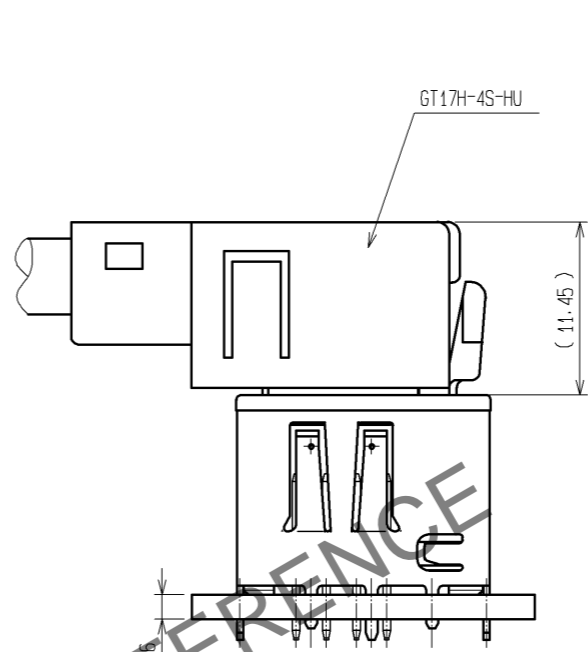
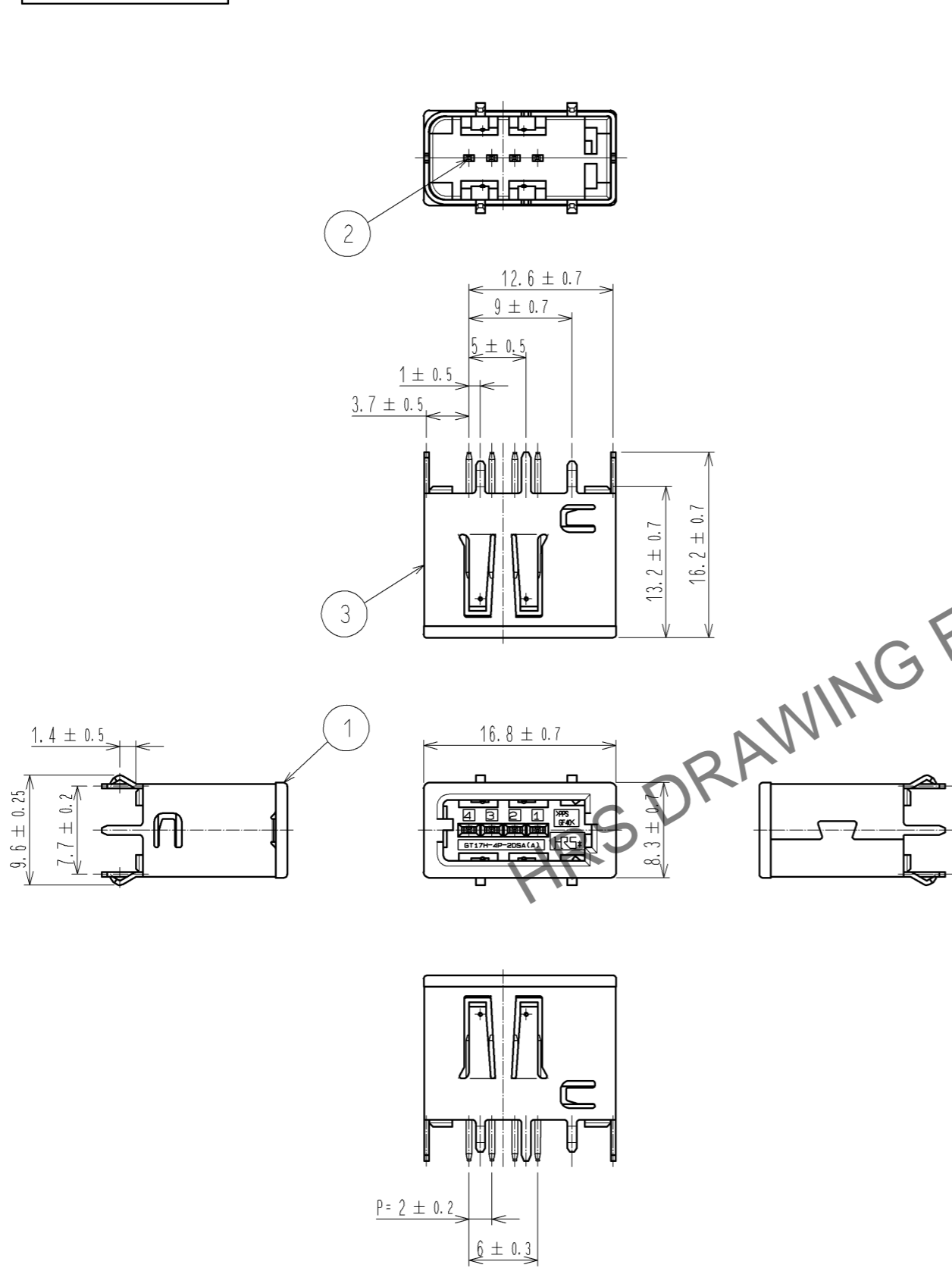
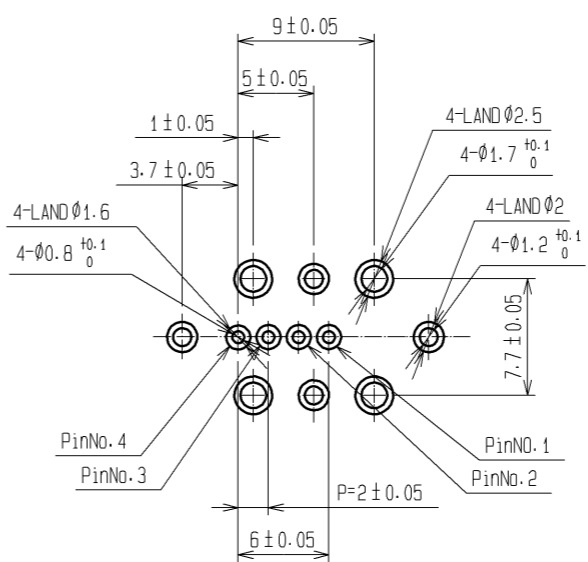


Sep.1.2024 Copyright 2024 HIROSE ELECTRIC CO., LTD. All Rights Reserved.
In case of consideration for using Automotive equipment / device which demand high reliability, kindly contact our sales window correspondents.

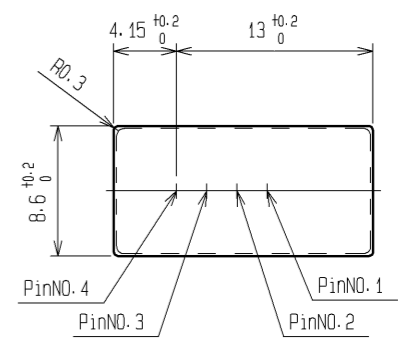
ELV. RoHS COMPLIANT



MATED CONNECTORS



RECOMMENDED PCB PATTERN



RECOMMENDED PANEL LAYOUT

2	BRASS	TIN PLATING	3	COPPER ALLOY	TIN PLATING			
1	PPS	BROWN						
NO.	MATERIAL	FINISH . REMARKS	NO.	MATERIAL	FINISH . REMARKS			
UNITS	mm	SCALE	2 : 1	COUNT	DESCRIPTION OF REVISIONS	DESIGNED	CHECKED	DATE
HRS HIROSE ELECTRIC CO., LTD.		APPROVED : AR. SHIRAI	12.09.25	DRAWING NO.	EDC3-169445-00			
		CHECKED : AR. SHIRAI	12.09.25	PART NO.	GT17HM2-4P-2DSA(A)			
		DESIGNED : TS. KUBOTA	12.09.03	CODE NO.	CL767-0298-0-00			
		DRAWN : TS. KUBOTA	12.09.03		1/1			