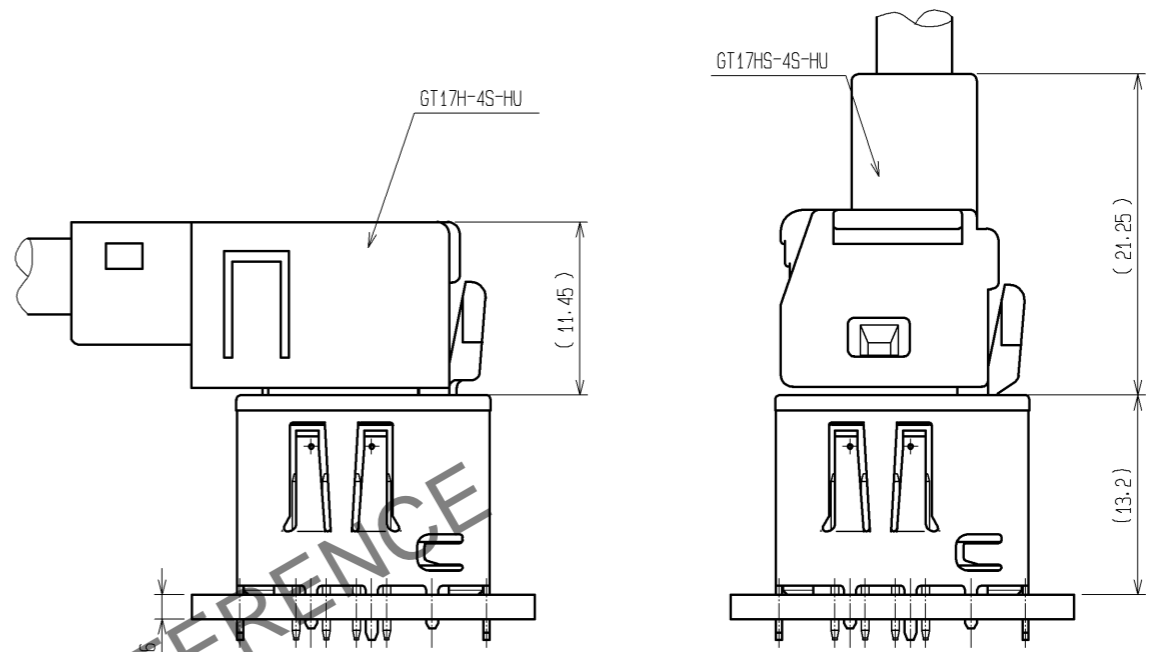
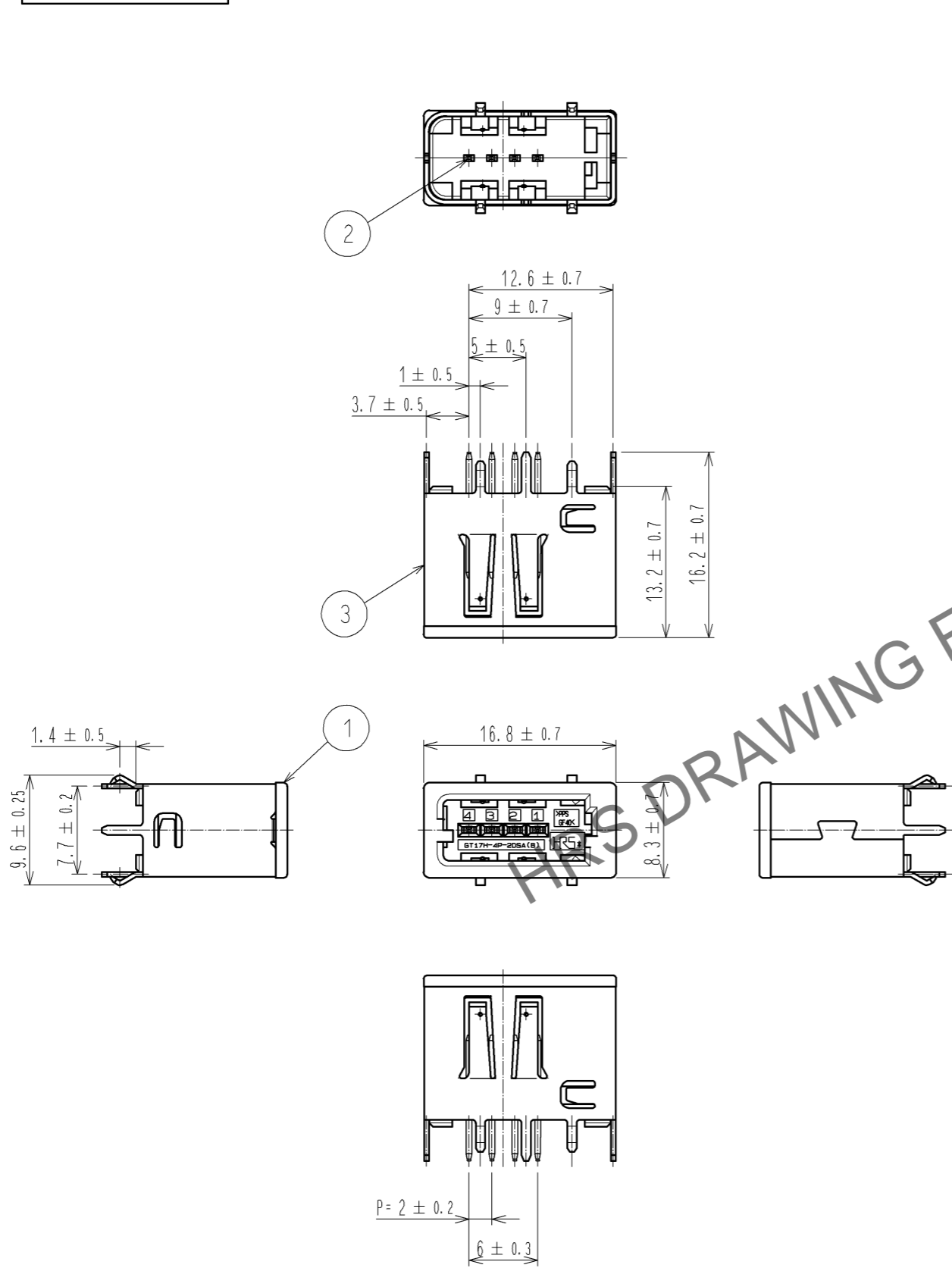
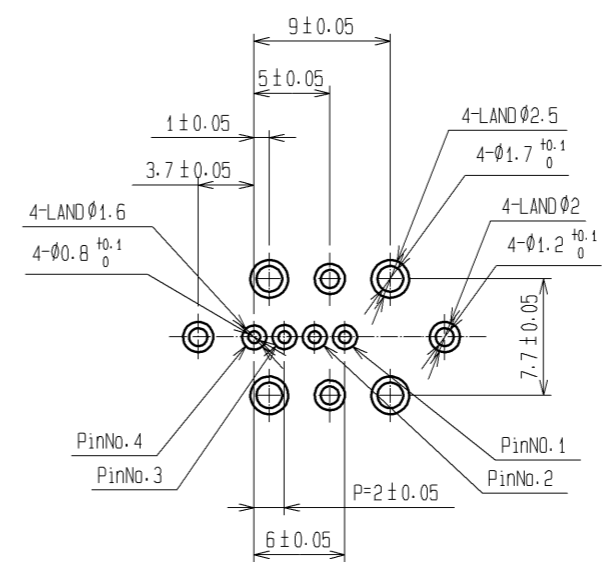


Sep.1.2024 Copyright 2024 HIROSE ELECTRIC CO., LTD. All Rights Reserved.
In case of consideration for using Automotive equipment / device which demand high reliability, kindly contact our sales window correspondents.

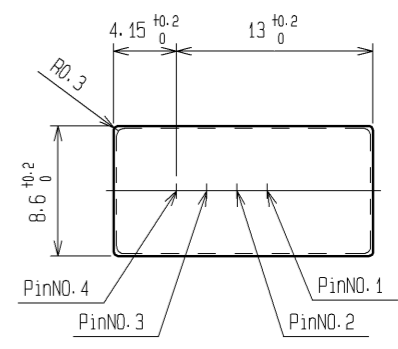
ELV. RoHS COMPLIANT



MATED CONNECTORS



RECOMMENDED PCB PATTERN



RECOMMENDED PANEL LAYOUT

2	BRASS	TIN PLATING	3	COPPER ALLOY	TIN PLATING			
1	PPS	GREEN						
NO.	MATERIAL	FINISH . REMARKS	NO.	MATERIAL	FINISH . REMARKS			
UNITS	mm	SCALE	2 : 1	COUNT	DESCRIPTION OF REVISIONS	DESIGNED	CHECKED	DATE
		APPROVED : AR. SHIRAI 12.09.25 CHECKED : AR. SHIRAI 12.09.25 DESIGNED : TS. KUBOTA 12.09.03 DRAWN : TS. KUBOTA 12.09.03		DRAWING NO. EDC3-169446-00 PART NO. GT17HM2-4P-2DSA(B) CODE NO. CL767-0299-2-00		DATE 12.09.25		1/1