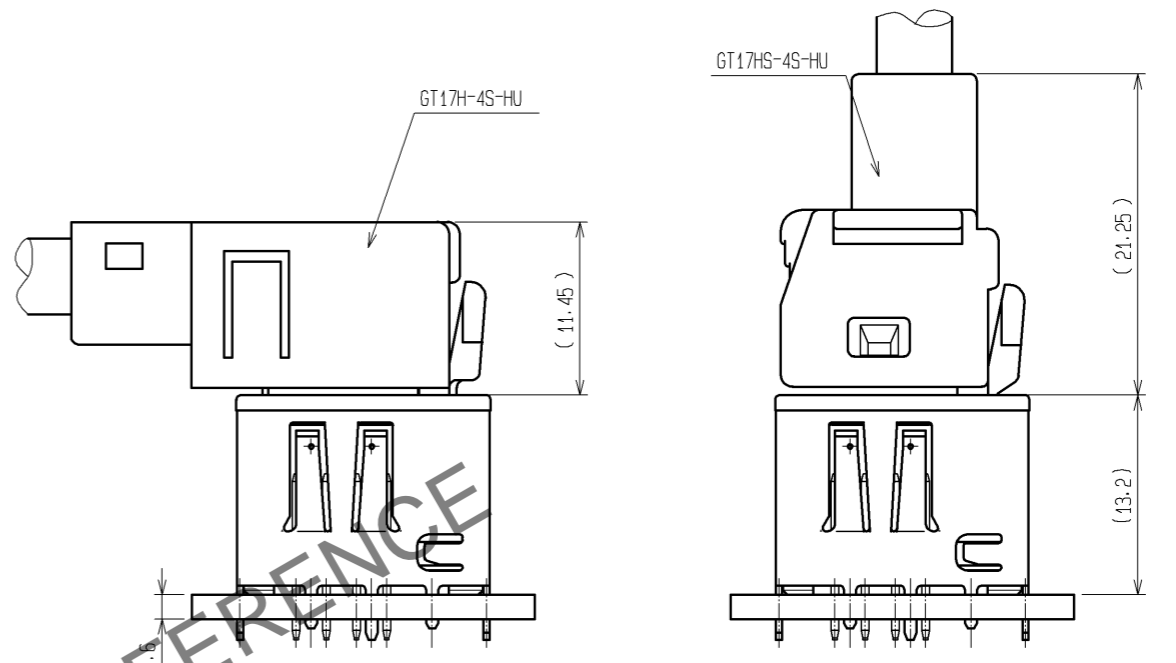
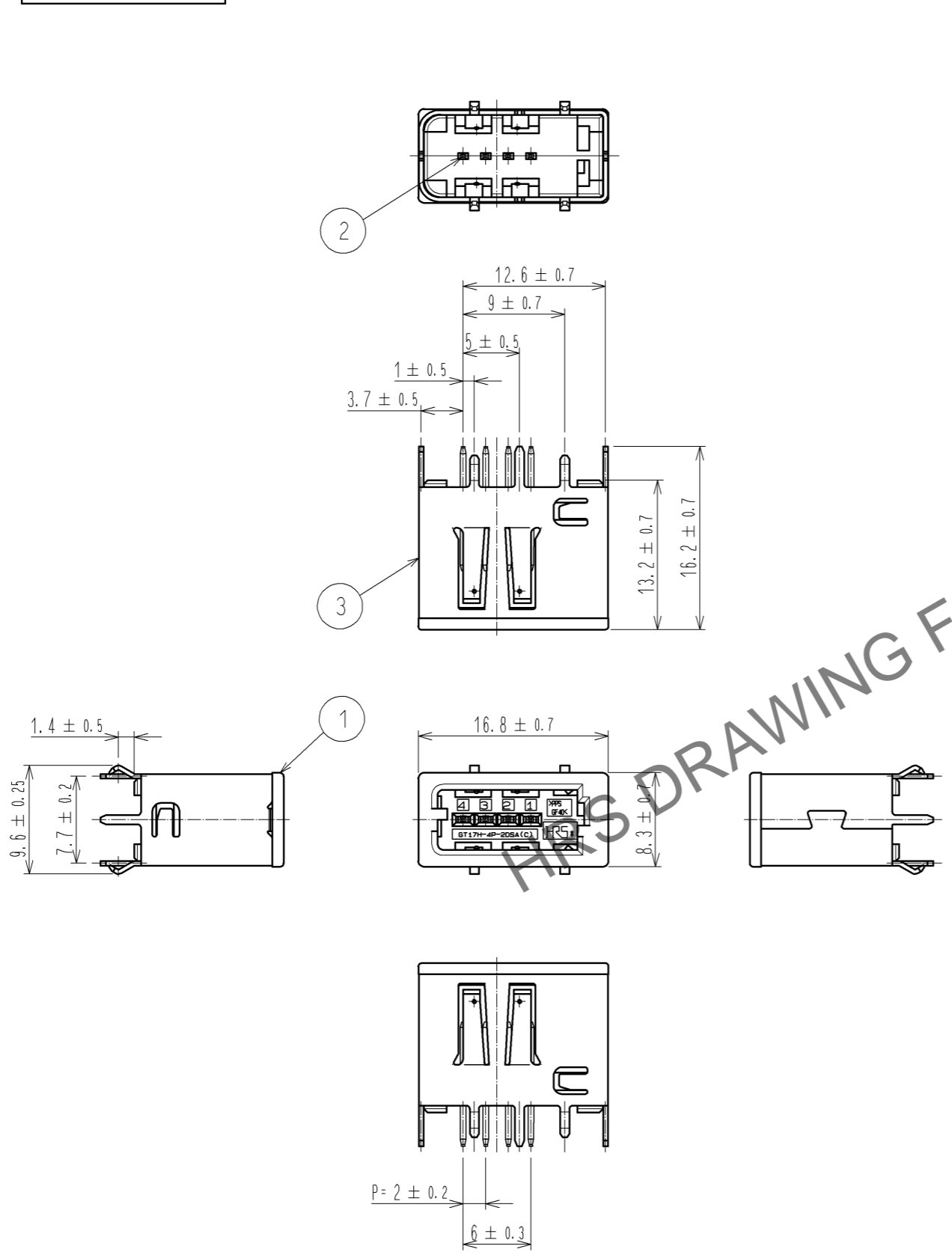
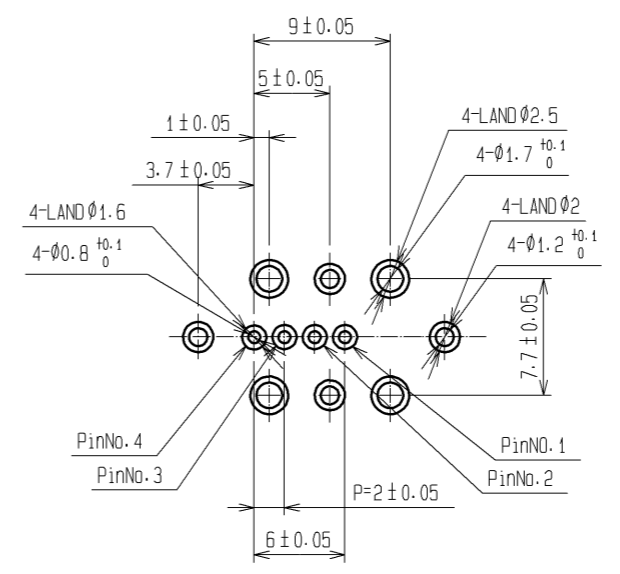


Sep.1.2024 Copyright 2024 HIROSE ELECTRIC CO., LTD. All Rights Reserved.
 In case of consideration for using Automotive equipment / device which demand high reliability, kindly contact our sales window correspondents.

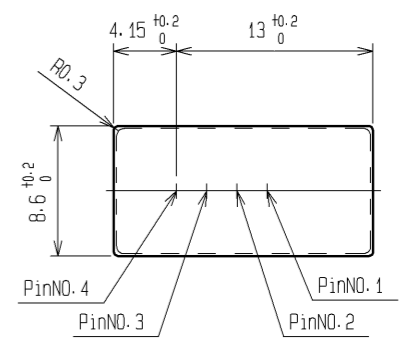
ELV. RoHS COMPLIANT



MATED CONNECTORS



RECOMMENDED PCB PATTERN



RECOMMENDED PANEL LAYOUT

| 2 | BRASS | TIN PLATING | 3 | COPPER ALLOY | TIN PLATING | | | |
|--------------------------------------|----------|-----------------------|----------|------------------------------|--------------------------|----------|---------|------|
| 1 | PPS | BLUE | | | | | | |
| NO. | MATERIAL | FINISH . REMARKS | NO. | MATERIAL | FINISH . REMARKS | | | |
| UNITS | mm | SCALE | 2 : 1 | COUNT | DESCRIPTION OF REVISIONS | DESIGNED | CHECKED | DATE |
| HRS HIROSE ELECTRIC CO., LTD. | | APPROVED : AR. SHIRAI | 12.09.25 | DRAWING NO. EDC3-169447-00 | | | | |
| | | CHECKED : AR. SHIRAI | 12.09.25 | PART NO. GT17HM2-4P-2DSA(CC) | | | | |
| | | DESIGNED : TS. KUBOTA | 12.09.03 | CODE NO. CL767-0311-6-00 | | | | |
| | | DRAWN : TS. KUBOTA | 12.09.03 | | | | | |