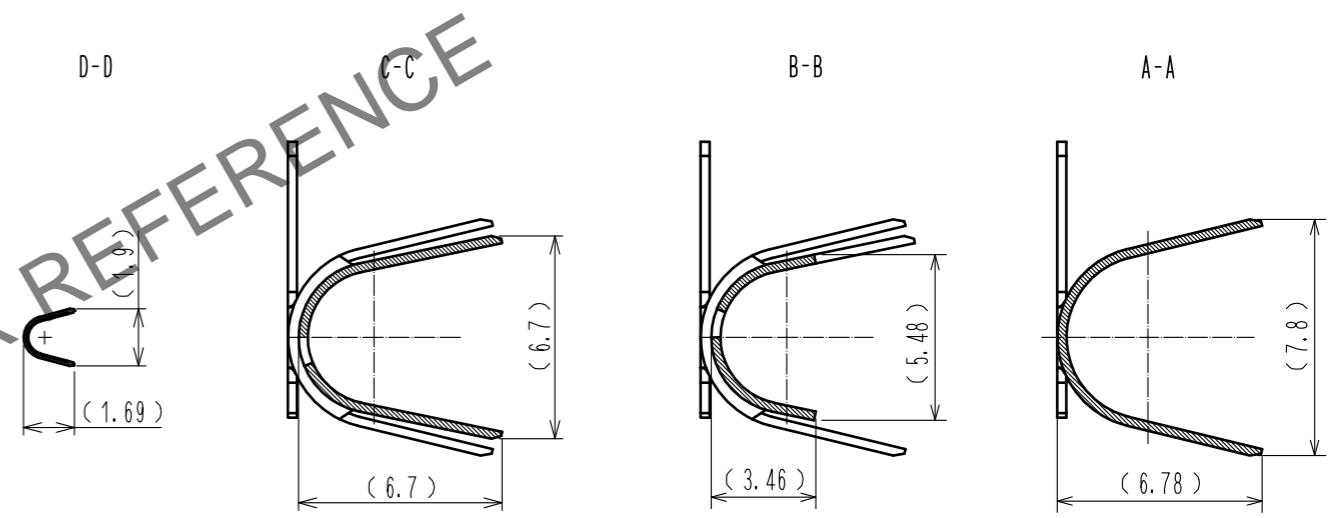
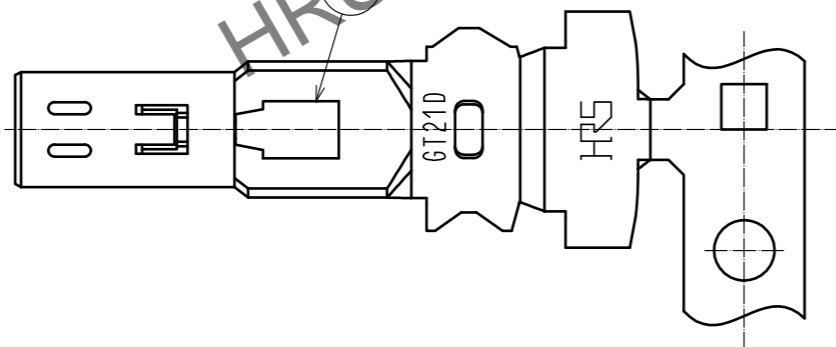
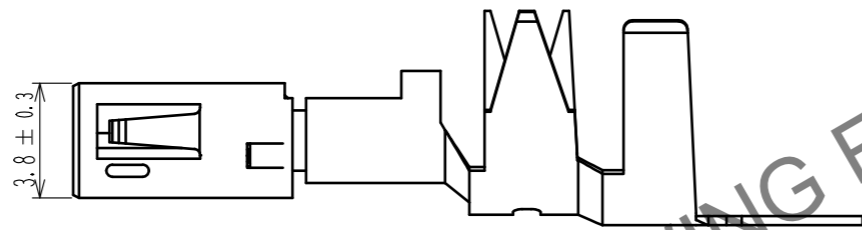
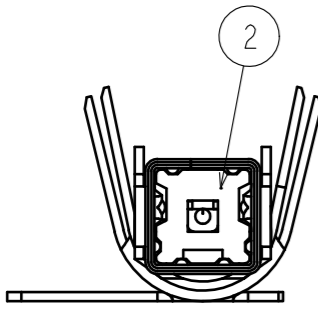
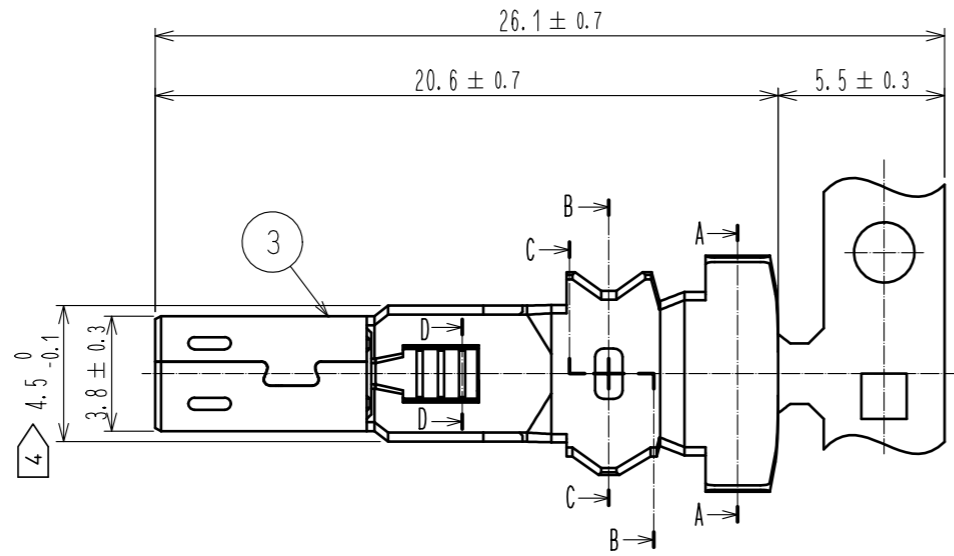


Apr.1.2025 Copyright 2025 HIROSE ELECTRIC CO., LTD. All Rights Reserved.
In case of consideration for using Automotive equipment / device which demand high reliability, kindly contact our sales window correspondents.

ELV. RoHS COMPLIANT



- NOTES)
1. PER REEL:1200 CONTACTS.
 2. THIS REEL SHALL BE Ø800 AND CRIMPING MACHINE NEEDS ADDITIONAL PARTS AS CM105/RS-ED.
 3. DO NOT NEED THE GT21A-1P-CSB.
 4. SHALL NOT BE DEFORMED AFTER CRIMPING.
 5. WHEN WINDING UP THE REEL, THE JOINT OF THE CARRIER SHALL BE 6 OR LESS IN ONE REEL. THE WAY OF CONNECTING IS A WINDING METHOD. TERMINAL MISSING SHALL BE 25 PIECES OR LESS IN THE REEL, AND 3 PIECES OR LESS IN ONE PLACE. THERE SHALL BE AT LEAST 6 TERMINALS PER CARRIER.

2	PBT	BLACK			
1	COPPER ALLOY	TIN PLATING	3	COPPER ALLOY	TIN PLATING
NO.	MATERIAL	FINISH . REMARKS	NO.	MATERIAL	FINISH . REMARKS
UNITS mm		SCALE 4 : 1	COUNT 1	DESCRIPTION OF REVISIONS DIS-T-00004070	DESIGNED TK. SUZUKI
		APPROVED : KI. HIROKAWA	20180417	DRAWING NO. EDC-382011-00-00	
HIROSE ELECTRIC CO., LTD.		CHECKED : KI. HIROKAWA	20180417	PART NO. GT21D-1822/F4-5PCF	
		DESIGNED : TK. SUZUKI	20180417	CODE NO. CL771-0112-0-00	
		DRAWN : TK. SUZUKI	20180417	1/1	