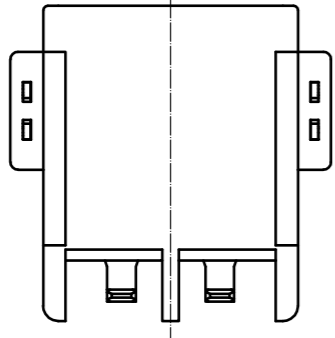
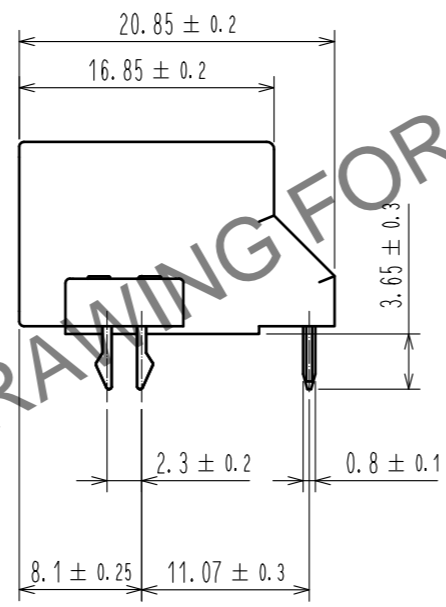
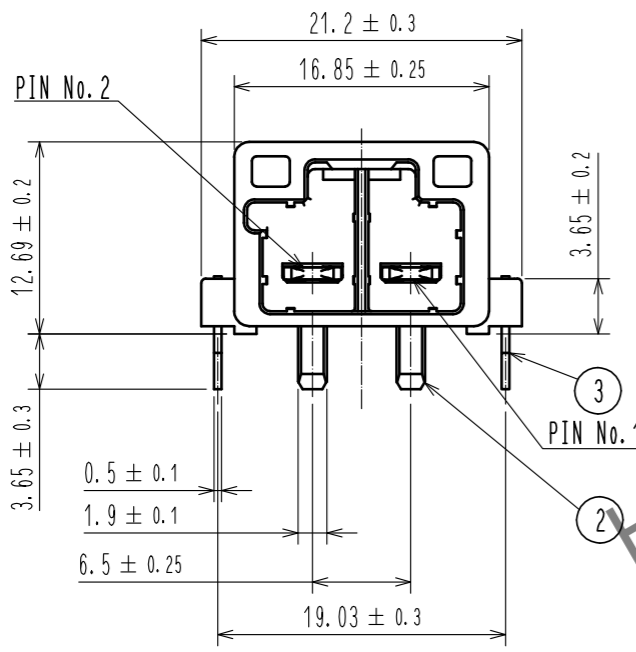
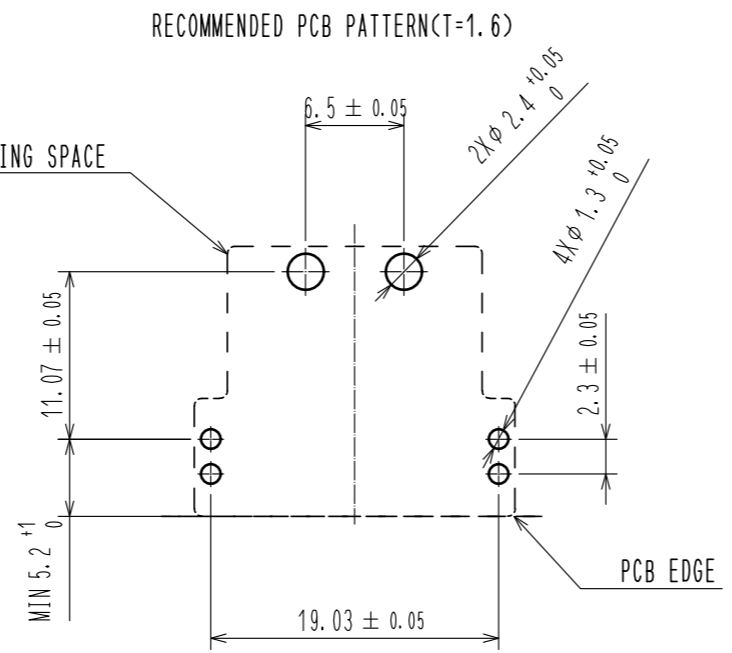
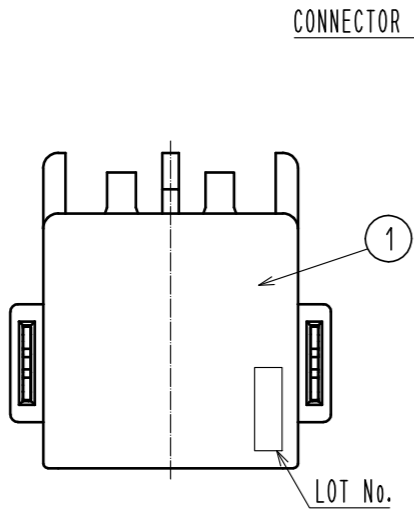
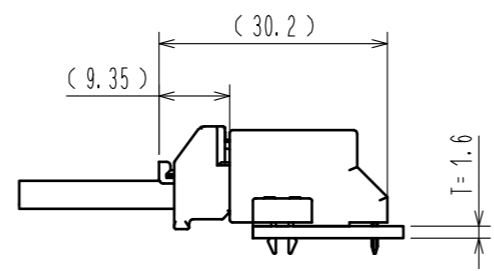


ELV, RoHS COMPLIANT

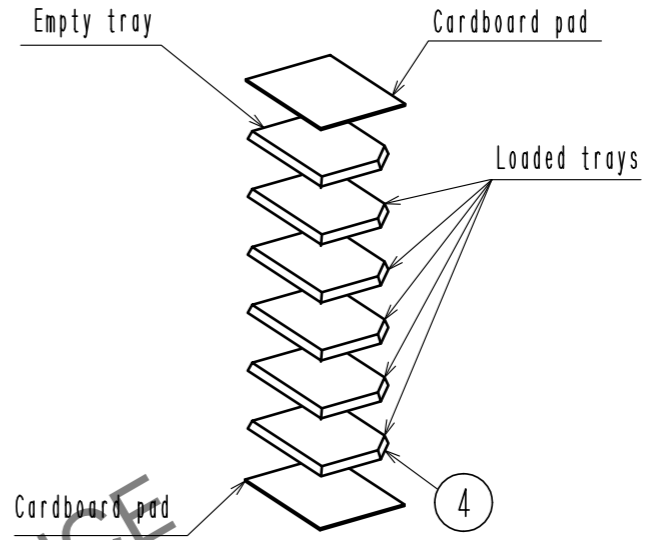


MATED CONNECTORS(1:1)

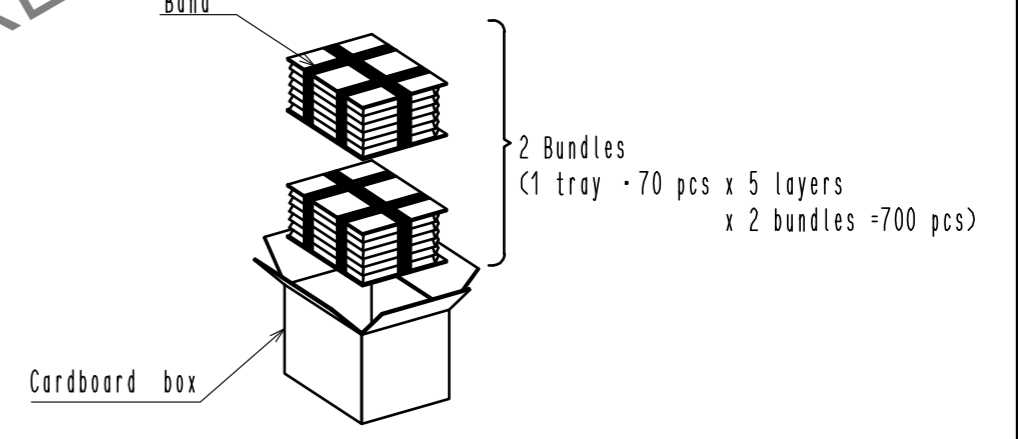


Packing specification

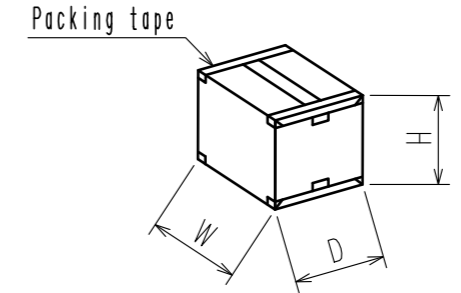
(1)After placing parts in trays, stack in six layers. (Top layer will be empty.)



(2)Put the bound tray X2 to cardboard box.



(3)Place lid on box and seal with packing tape.



W=(368)mm  
D=(278)mm  
H=(261)mm

△ Drawing dimensions added.

2	COPPER ALLOY	UNDER PLATING:NICKEL PLATING 0.5μm min. SURFACE :TIN PLATING 1μm min.	4	POLYSTYRENE			
1	PA	BLACK, UL94V-0	3	PHOSPHOR BRONZE	UNDER PLATING:NICKEL PLATING 0.5μm min. SURFACE :TIN PLATING 1μm min.		
NO.	MATERIAL	FINISH . REMARKS	NO.	MATERIAL	FINISH . REMARKS		
UNITS mm		SCALE 2 : 1	COUNT 1	DESCRIPTION OF REVISIONS DIS-T-00005960	DESIGNED TS. SHIMIZU	CHECKED OM. MIYAMOTO	DATE 20200319
<b>HRS</b> HIROSE ELECTRIC CO., LTD.		APPROVED :HK. UMEHARA 20190531	DRAWING NO. EDC-382040-00-00				
		CHECKED :YH. MAMADA 20190531	PART NO. HVH-280-2P-6.5DS				
		DESIGNED :TS. SHIMIZU 20190530	CODE NO. CL778-0703-0-00				
		DRAWN :DS. HIROWATARI 20190528					

Nov.1.2024 Copyright 2024 HIROSE ELECTRIC CO., LTD. All Rights Reserved. In case of consideration for using Automotive equipment / device which demand high reliability, kindly contact our sales window correspondents.