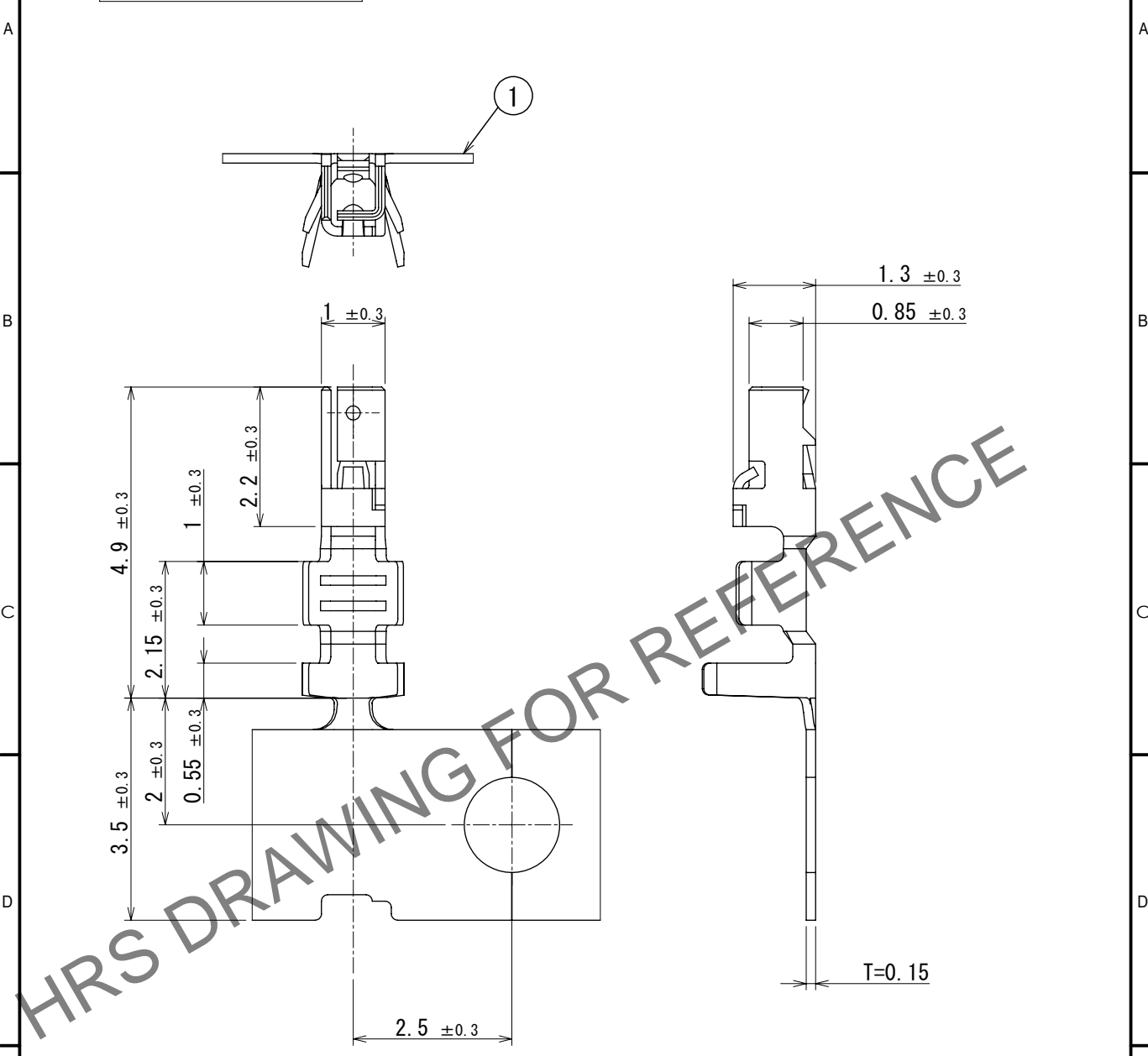


Feb.1.2025 Copyright 2025 HIROSE ELECTRIC CO., LTD. All Rights Reserved.
 In case of consideration for using Automotive equipment / device which demand high reliability, kindly contact our sales window correspondents.

ELV, RoHS COMPLIANT



NOTE 1. PER REEL:10000 CONTACTS.
 2. REGARDING HOW TO HANDLE THE PACKAGED PRODUCTS, PLEASE REFER TO THE ATAD-T0946-00 「INSTRUCTION MANUAL FOR HANDLING OF REEL PACKAGING CONTAINING CRIMP TERMINALS」

1	COPPER ALLOY	TIN PLATED						
NO.	MATERIAL	FINISH	REMARKS	NO.	MATERIAL	FINISH	REMARKS	
F	UNITS mm		SCALE 10:1	COUNT 0	DESCRIPTION OF REVISIONS DIS-T-00018508	DESIGNED KN. YANAGIMOTO	CHECKED EJ. WAKATSUKI	DATE 2023.08.10
HIROSE ELECTRIC CO., LTD.		APPROVED : AR. SHIRAI	2012.10.09	DRAWING NO.	EDC-168288-00-00			
		CHECKED : AR. SHIRAI	2012.10.09	PART NO.	GT32-2428SCF			
		DESIGNED : TS. KUBOTA	2012.10.09	CODE NO.	CL0782-0007-8-00			
		DRAWN : TS. KUBOTA	2012.10.09		1/1			