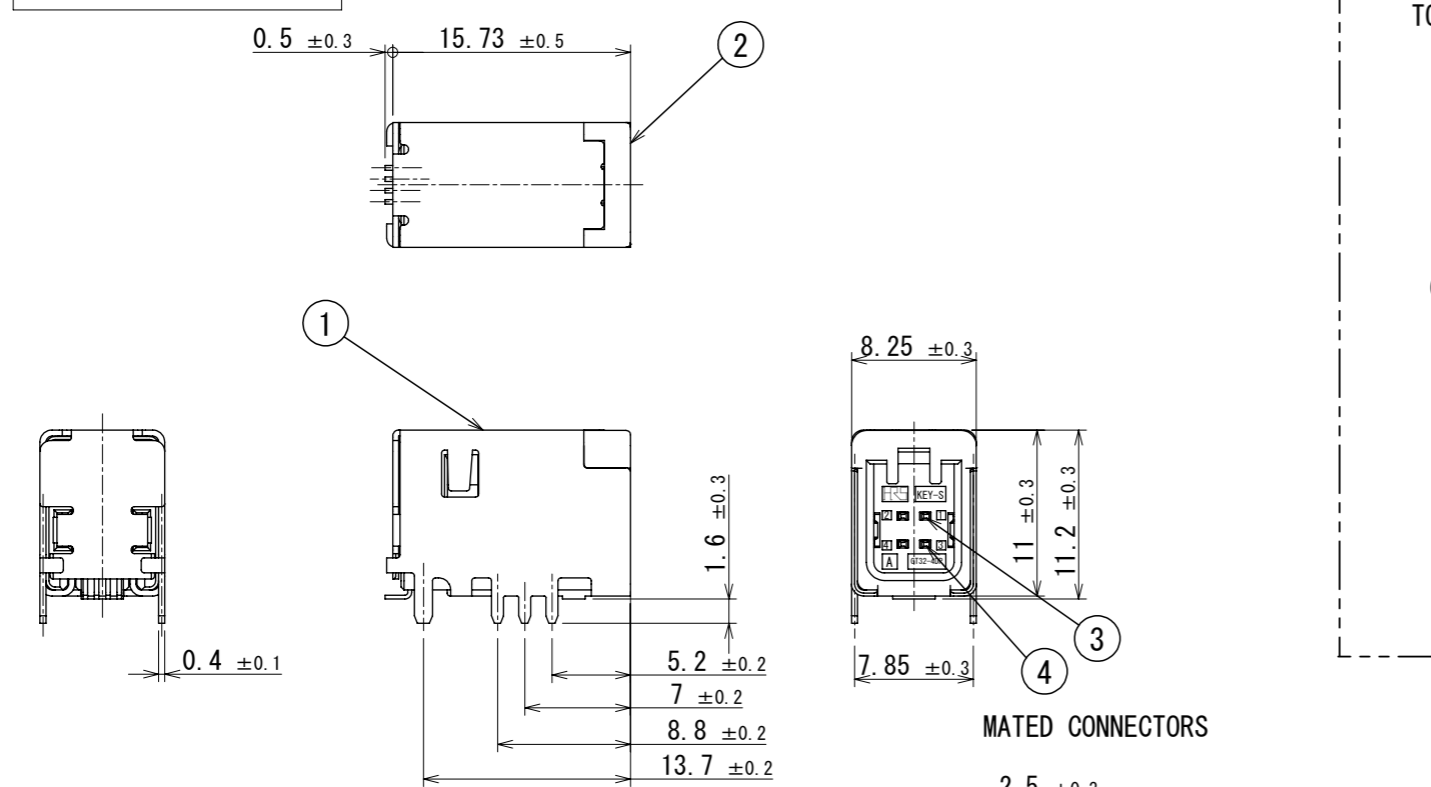


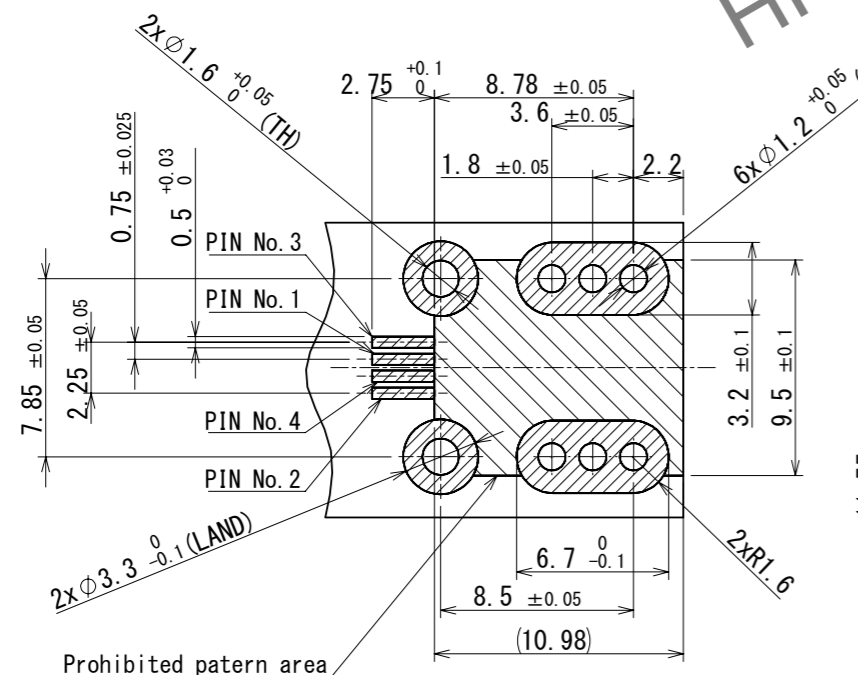
Mar.1.2025 Copyright 2025 HIROSE ELECTRIC CO., LTD. All Rights Reserved.
In case of consideration for using Automotive equipment / device which demand high reliability, kindly contact our sales window correspondents.

ELV, RoHS COMPLIANT

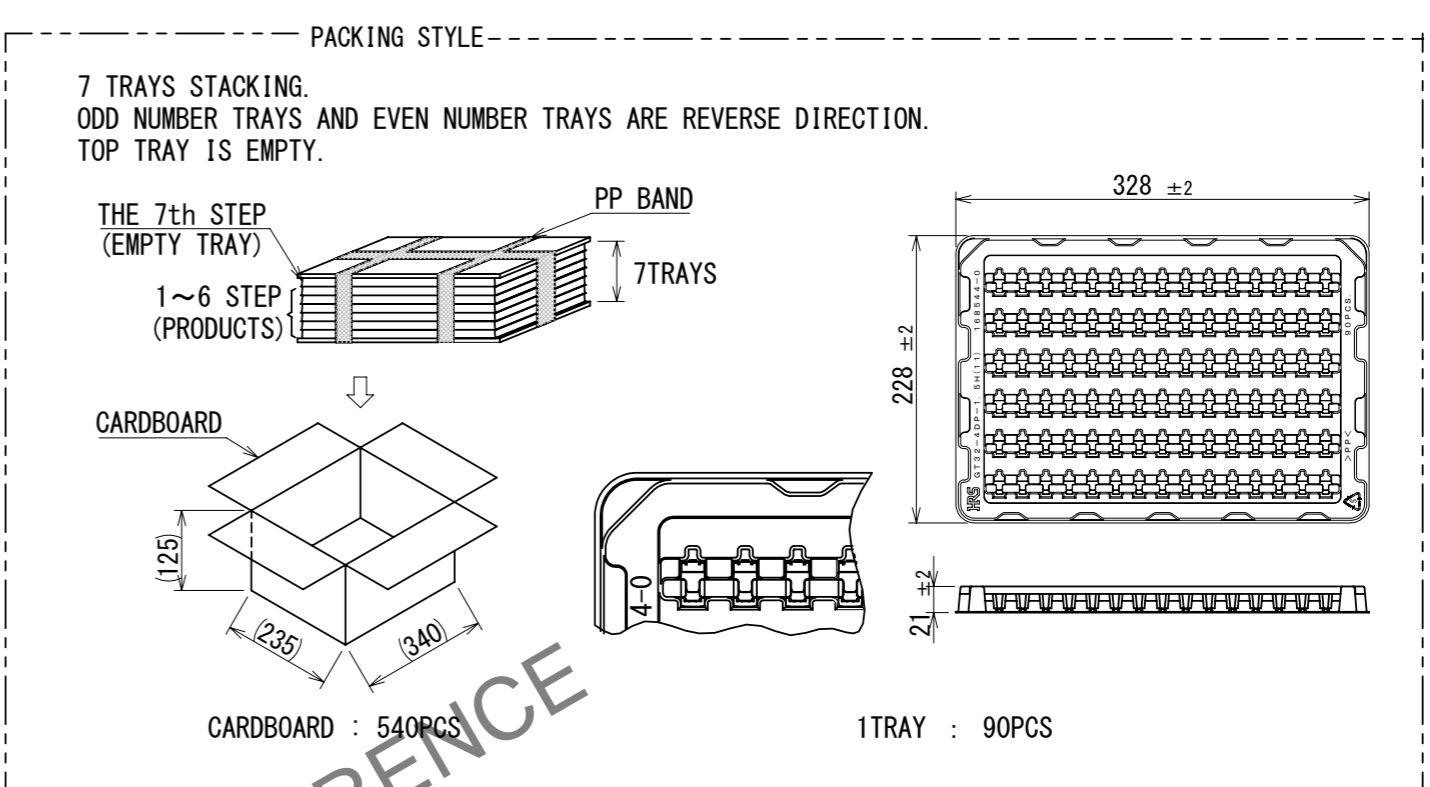
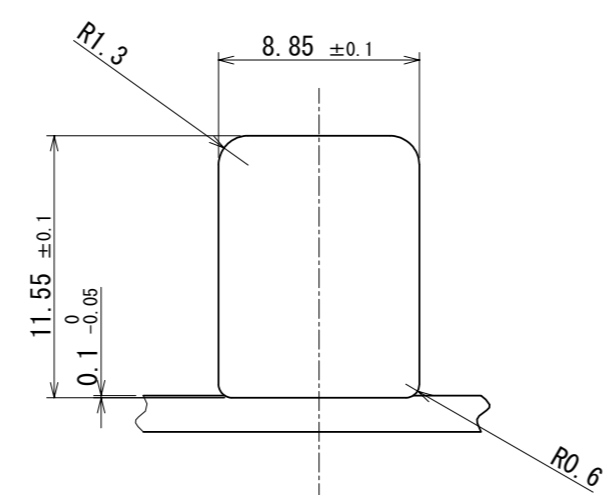


MATED CONNECTORS

RECOMMENDED PCB LAYOUT (3:1)

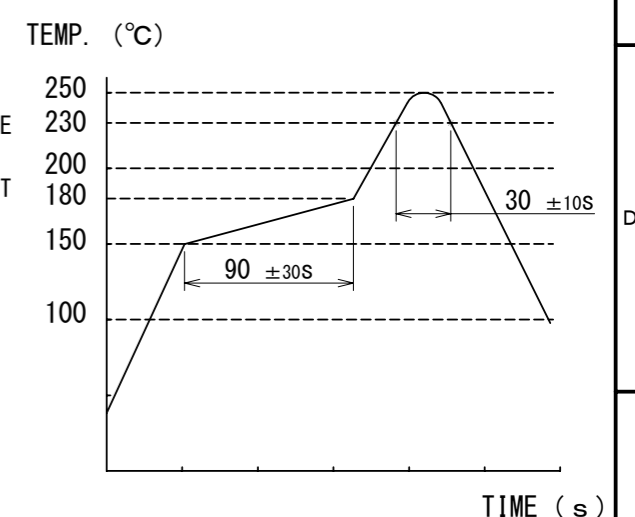


RECOMMENDED PANEL CUTOUT



NOTES

- RECOMMENDED REFLOW PROFILE (SEE RIGHT GRAPH)
CYCLE TIME: UP TO 2 CYCLES OF REFLOW SOLDERING ARE POSSIBLE UNDER THE CONDITIONS, PROVIDED THAT THERE IS A RETURN TO NOMAL TEMPERATURE BETWEEN THE FIRST AND SECOND CYCLE.
PEAK TEMPERATURE: 250°C
230°C MIN, FOR 20 TO 40 SECONDS.
PREHEATING AREA 150~180°C FOR 60 TO 120 SECONDS.
- HAND SOLDERING: 280~300°C, 2SECONDS MAX.
- CONTACT COPLANARITY: 0.1mm MAX.
- RECOMMENDED THICKNESS OF PCB: 1.6mm
- RECOMMENDED THICKNESS OF SOLDERING PASTE: 0.12mm



2	PA	DARK GRAY	4	BRASS	TIN PLATING				
1	COPPER ALLOY	TIN PLATING	3	BRASS	TIN PLATING				
NO.	MATERIAL	FINISH	REMARKS	NO.	MATERIAL	FINISH	REMARKS		
UNITS	mm	SCALE	2:1	COUNT	0	DESCRIPTION OF REVISIONS	DESIGNED	CHECKED	DATE
				DIS-T-00018420		KN. YANAGIMOTO	EJ. WAKATSUKI	2023.06.15	
HRS		HIROSE ELECTRIC CO., LTD.		APPROVED	AR. SHIRAI	2017.02.27	DRAWING NO. EDC-353182-11-01		
				CHECKED	AR. SHIRAI	2017.02.27	PART NO. GT32-4DP-1.5H(11)		
				DESIGNED	TS. KUBOTA	2017.02.27	CODE NO. CL0782-0038-1-11		
				DRAWN	TS. KUBOTA	2017.02.27	1/1		