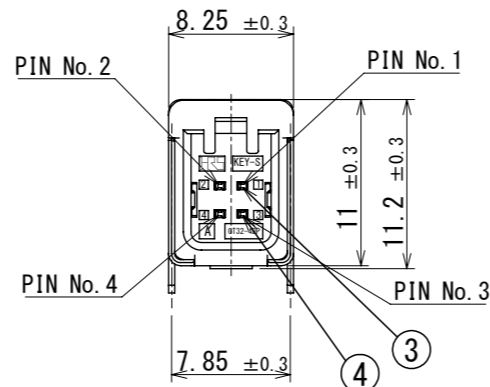
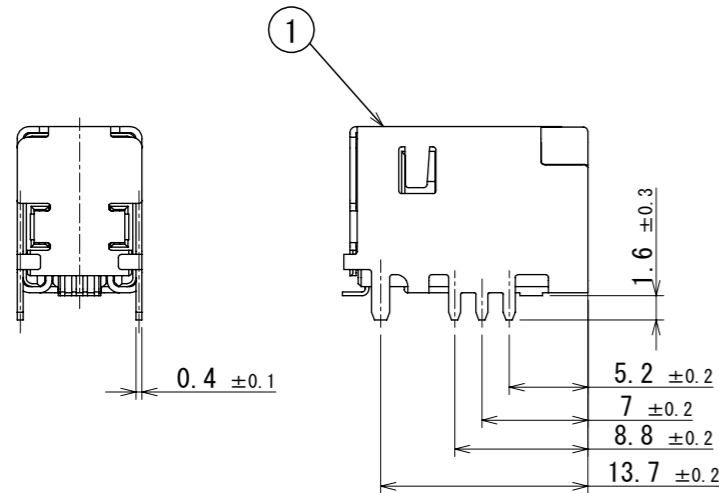
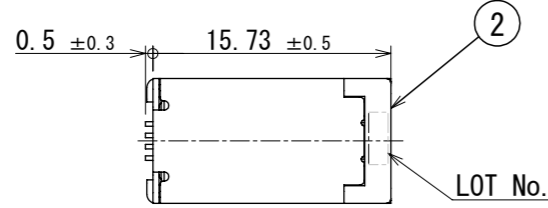
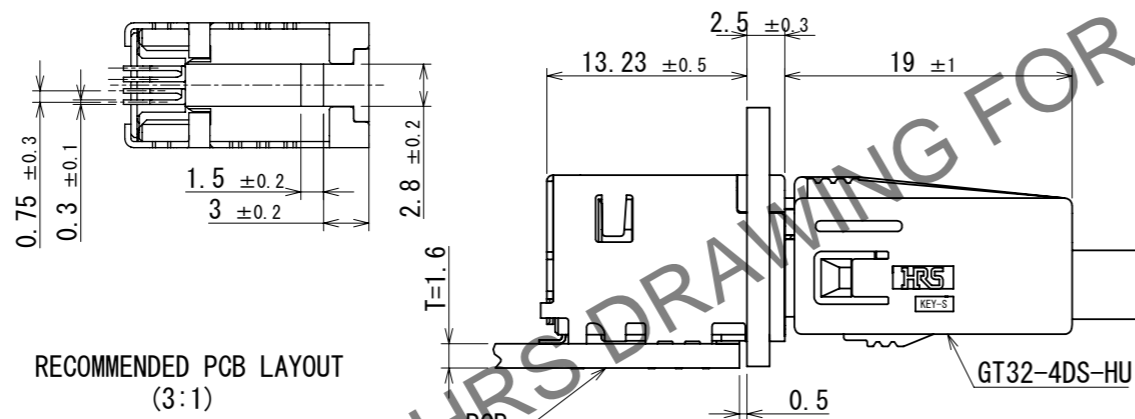


Jan.1.2025 Copyright 2025 HIROSE ELECTRIC CO., LTD. All Rights Reserved.
 In case of consideration for using Automotive equipment / device which demand high reliability, kindly contact our sales window correspondents.

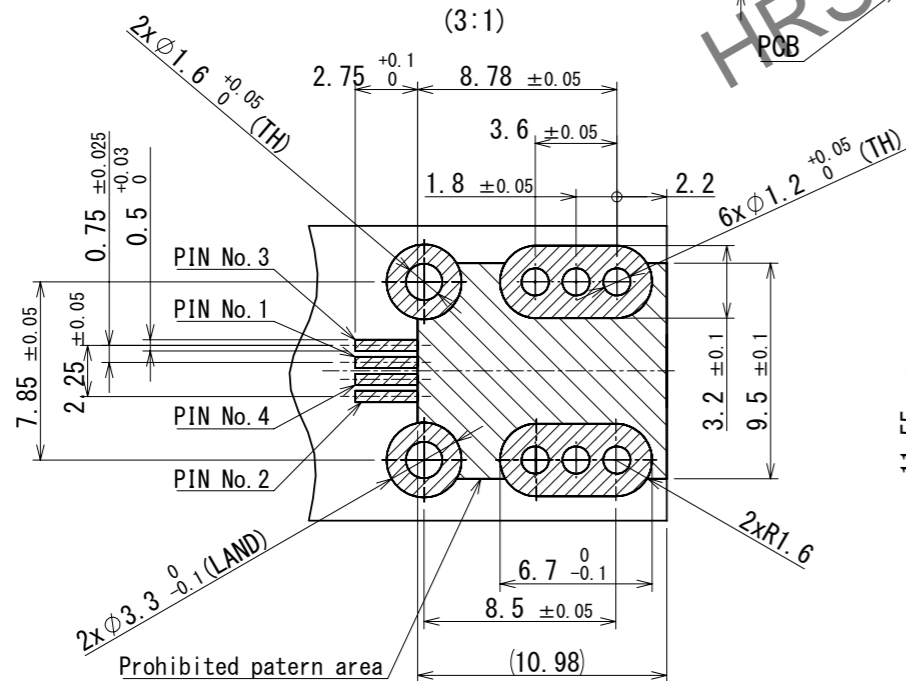
ELV, RoHS COMPLIANT



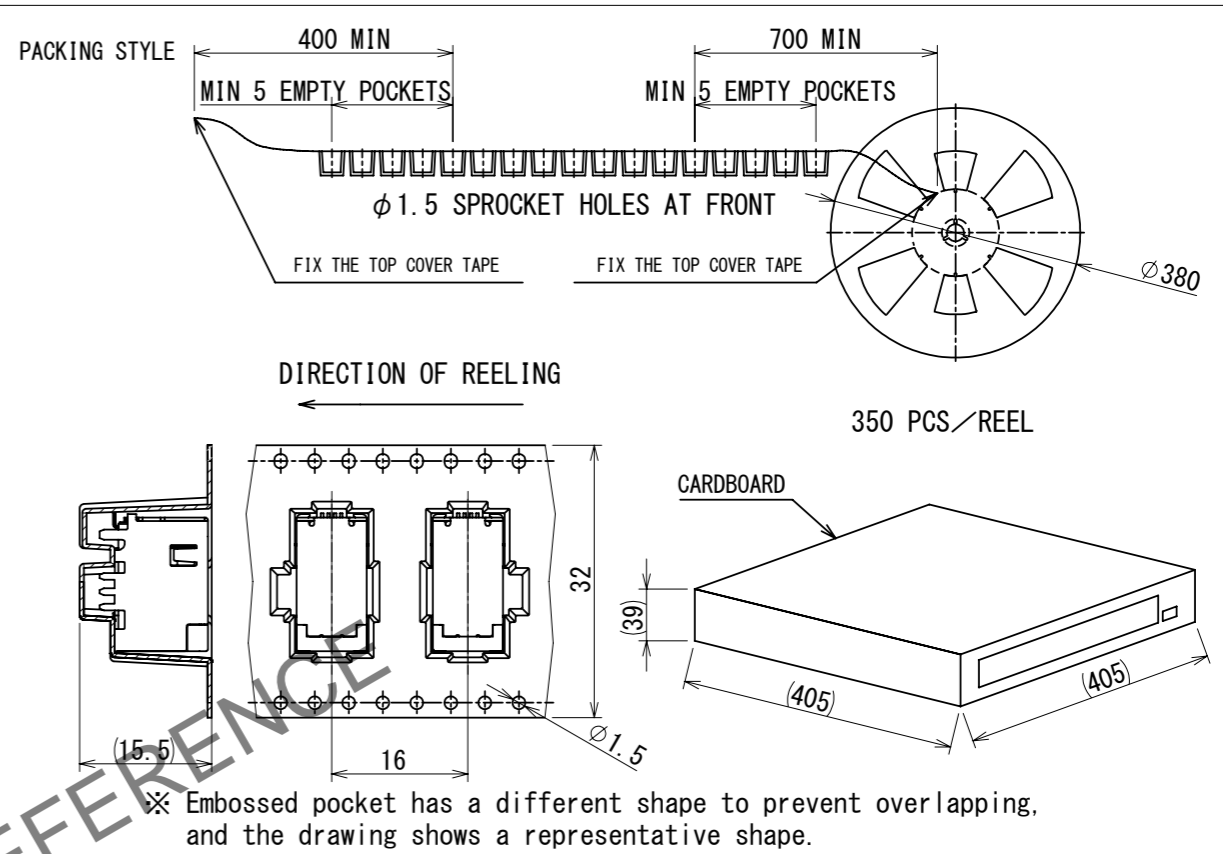
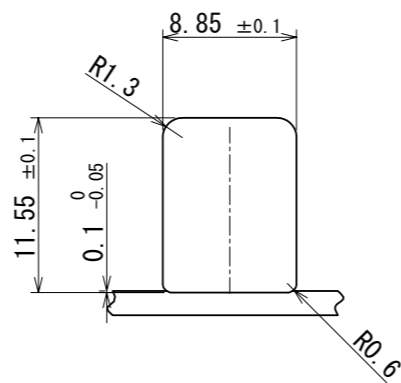
MATED CONNECTORS



RECOMMENDED PCB LAYOUT (3:1)

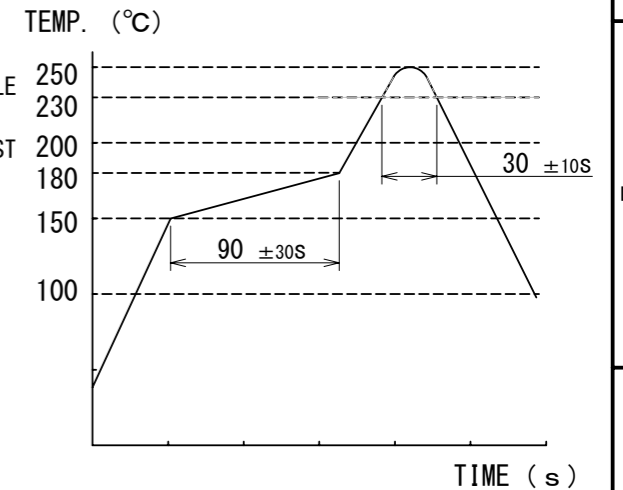


RECOMMENDED PANEL CUTOUT



NOTES

- RECOMMENDED REFLOW PROFILE (SEE RIGHT GRAPH)
 CYCLE TIME: UP TO 2 CYCLES OF REFLOW SOLDERING ARE POSSIBLE UNDER THE CONDITIONS, PROVIDED THAT THERE IS A RETURN TO NORMAL TEMPERATURE BETWEEN THE FIRST AND SECOND CYCLE.
 PEAK TEMPERATURE: 250°C
 230°C MIN, FOR 20 TO 40 SECONDS.
 PREHEATING AREA 150~180°C FOR 60 TO 120 SECONDS.
- HAND SOLDERING: 280~300°C, 2SECONDS MAX.
- CONTACT COPLANARITY: 0.1mm MAX.
- RECOMMENDED THICKNESS OF PCB: 1.6mm
- RECOMMENDED THICKNESS OF SOLDERING PASTE: 0.12mm



2	PA	DARK GRAY	4	BRASS	TIN PLATING				
1	COPPER ALLOY	TIN PLATING	3	BRASS	TIN PLATING				
NO.	MATERIAL	FINISH	REMARKS	NO.	MATERIAL	FINISH	REMARKS		
UNITS	mm	SCALE	2:1	COUNT	0	DESCRIPTION OF REVISIONS	DESIGNED	CHECKED	DATE
APPROVED : AR. SHIRAI 2019.01.11				DRAWING NO.		EDC-353182-12-01			
CHECKED : TH. MIZUGUCHI 2019.01.10				PART NO.		GT32-4DP-1.5H(12)			
DESIGNED : TS. KUBOTA 2019.01.10				CODE NO.		CL0782-0038-1-12			
DRAWN : TS. KUBOTA 2019.01.10									