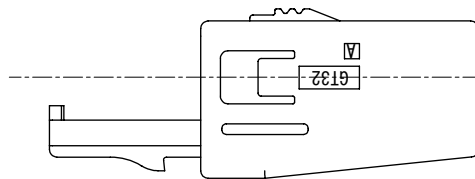
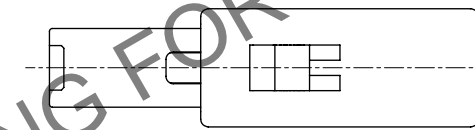
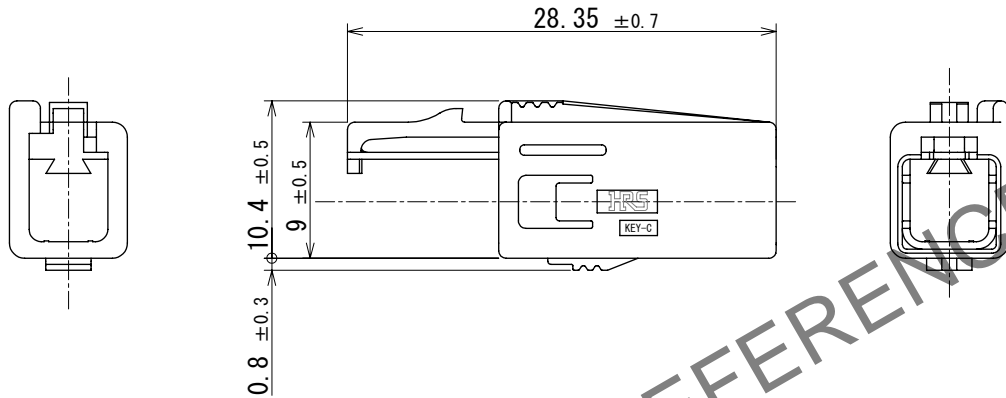
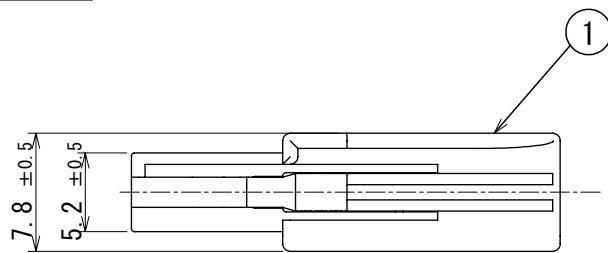


May.1.2025 Copyright 2025 HIROSE ELECTRIC CO., LTD. All Rights Reserved.
 本製品を車載用途などの高い信頼性が求められる機器にご使用の場合は、弊社までお問合せ下さい。

ELV, RoHS適合品



HRS DRAWING FOR REFERENCE

1	PBT	BLUE						
NO.	MATERIAL	FINISH	REMARKS	NO.	MATERIAL	FINISH	REMARKS	
UNITS mm		SCALE 2:1	COUNT 0	DESCRIPTION OF REVISIONS DIS-T-00018494		DESIGNED KN. YANAGIMOTO	CHECKED EJ. WAKATSUKI	DATE 2023.08.10
HIROSE ELECTRIC CO., LTD.		APPROVED : NH. NAKATA	2015.09.10	DRAWING NO.		ADC-361248-00-00		
		CHECKED : NH. NAKATA	2015.09.10	PART NO.		GT32-4DS-HU (C)		
		DESIGNED : NK. IKUTA	2015.09.10	CODE NO.		CL0782-0057-6-00		
		DRAWN : NK. IKUTA	2015.09.10			1/1		