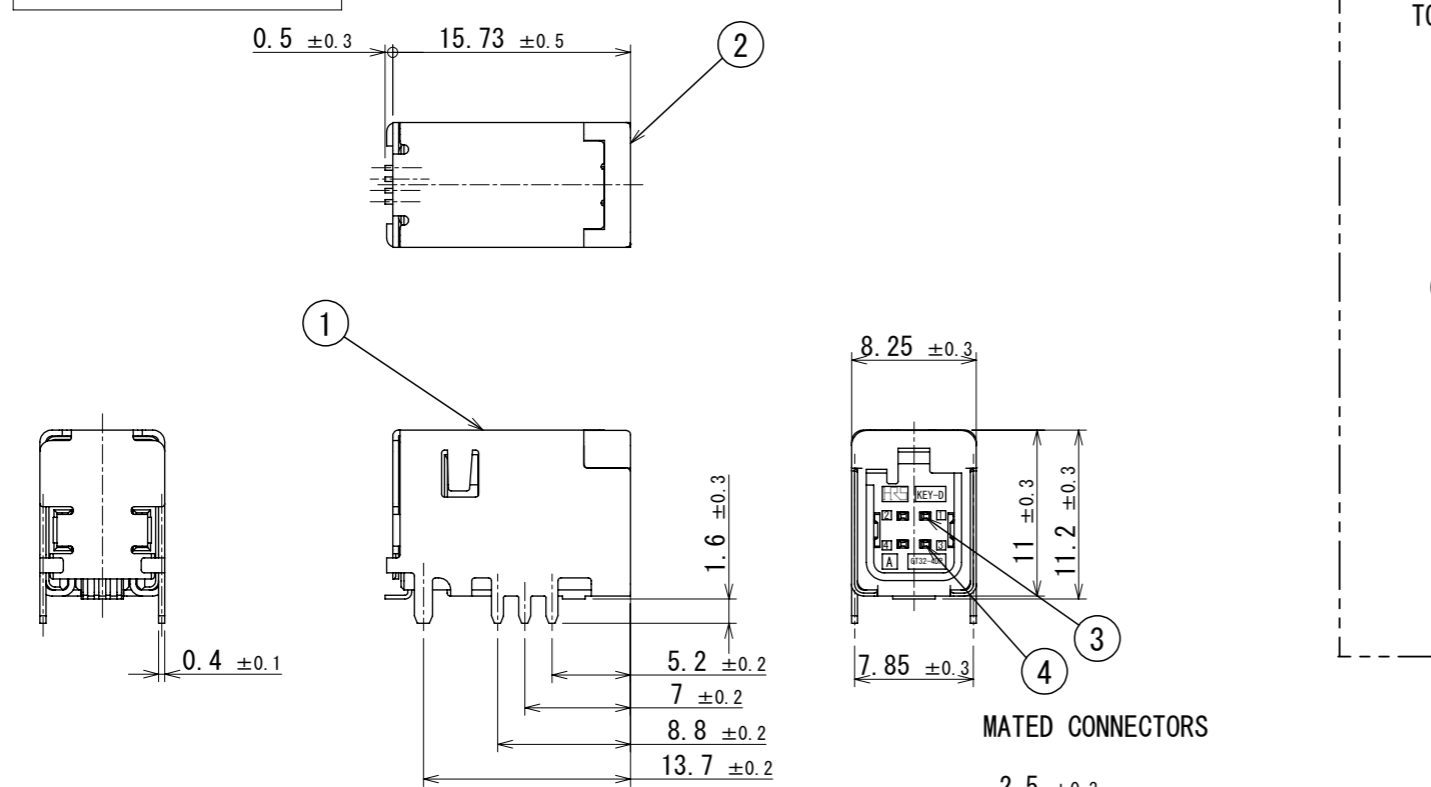


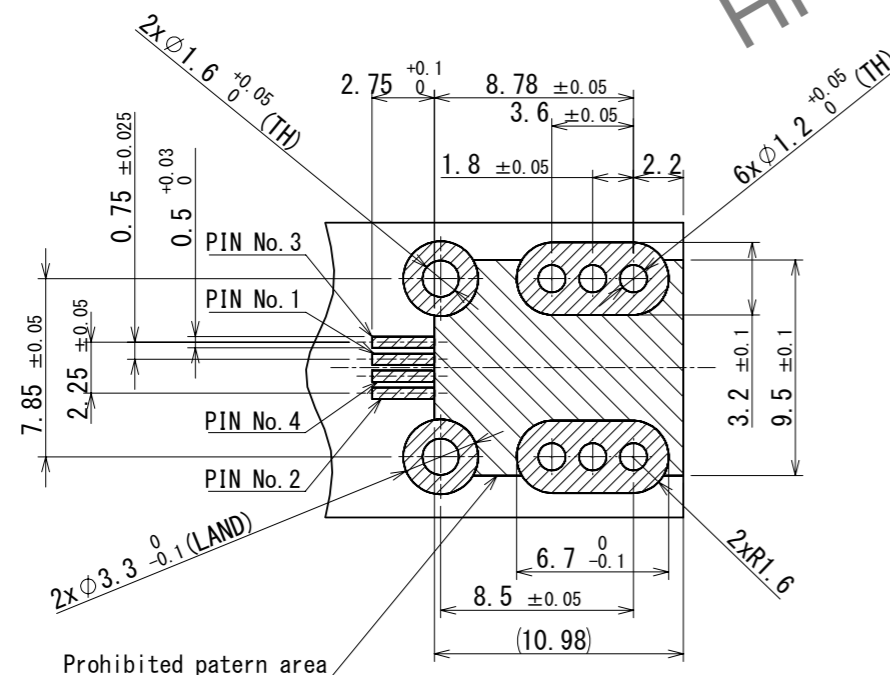
Apr.1.2025 Copyright 2025 HIROSE ELECTRIC CO., LTD. All Rights Reserved.  
 In case of consideration for using Automotive equipment / device which demand high reliability, kindly contact our sales window correspondents.

ELV, RoHS COMPLIANT

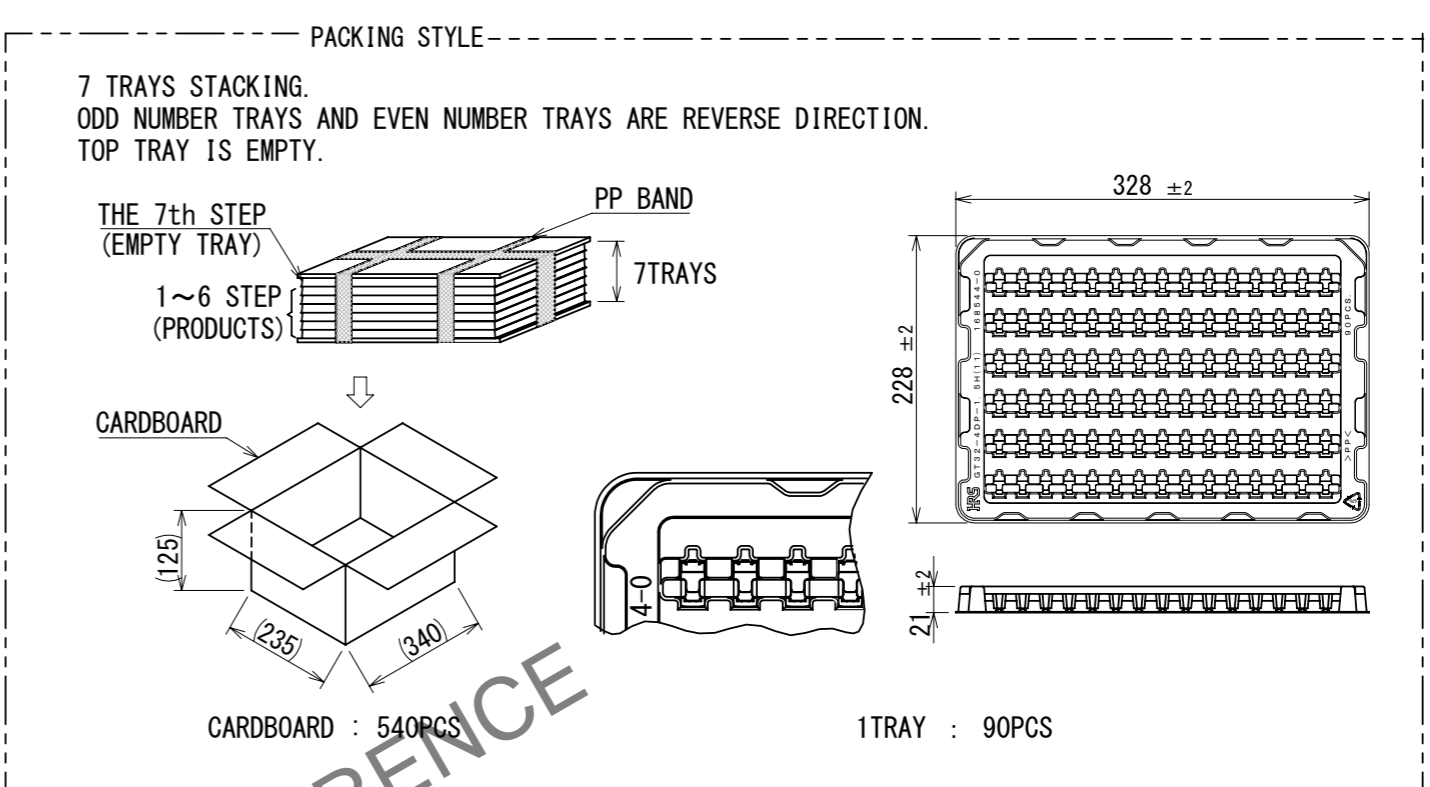
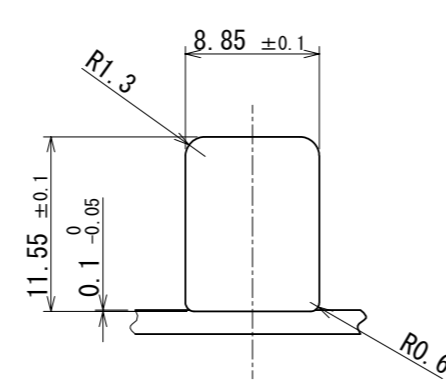


MATED CONNECTORS

RECOMMENDED PCB LAYOUT (3:1)

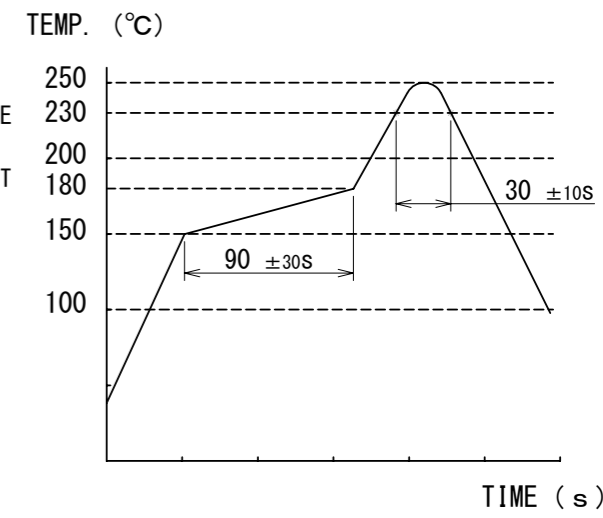


RECOMMENDED PANEL CUTOUT



NOTES

1. RECOMMENDED REFLOW PROFILE (SEE RIGHT GRAPH)  
 CYCLE TIME: UP TO 2 CYCLES OF REFLOW SOLDERING ARE POSSIBLE UNDER THE CONDITIONS, PROVIDED THAT THERE IS A RETURN TO NOMAL TEMPERATURE BETWEEN THE FIRST AND SECOND CYCLE.  
 PEAK TEMPERATURE: 250°C  
 230°C MIN, FOR 20 TO 40 SECONDS.  
 PREHEATING AREA 150~180°C FOR 60 TO 120 SECONDS.
2. HAND SOLDERING: 280~300°C, 2SECONDS MAX.
3. CONTACT COPLANARITY: 0.1mm MAX.
4. RECOMMENDED THICKNESS OF PCB: 1.6mm
5. RECOMMENDED THICKNESS OF SOLDERING PASTE: 0.12mm



2	PA	BLACK	4	BRASS	TIN PLATING		
1	COPPER ALLOY	TIN PLATING	3	BRASS	TIN PLATING		
NO.	MATERIAL	FINISH	REMARKS	NO.	MATERIAL	FINISH	REMARKS
UNITS	mm	SCALE	2:1	COUNT	0	DESCRIPTION OF REVISIONS	DIS-T-00018447
APPROVED : AR. SHIRAI 2017.03.14				DESIGNED		KN. YANAGIMOTO	
CHECKED : TH. MIZUGUCHI 2017.03.13				CHECKED		EJ. WAKATSUKI	
DESIGNED : TS. KUBOTA 2017.03.13				DATE		2023.06.23	
DRAWN : TS. KUBOTA 2017.03.13				DRAWING NO.		EDC-361830-11-01	
HRS HIROSE ELECTRIC CO., LTD.				PART NO.		GT32-4DP-1.5H(D) (11)	
				CODE NO.		CL0782-0064-1-11	