

Jan.1.2025 Copyright 2025 HIROSE ELECTRIC CO., LTD. All Rights Reserved.
In case of consideration for using Automotive equipment / device which demand high reliability, kindly contact our sales window correspondents.

RoHS, ELV COMPLIANT

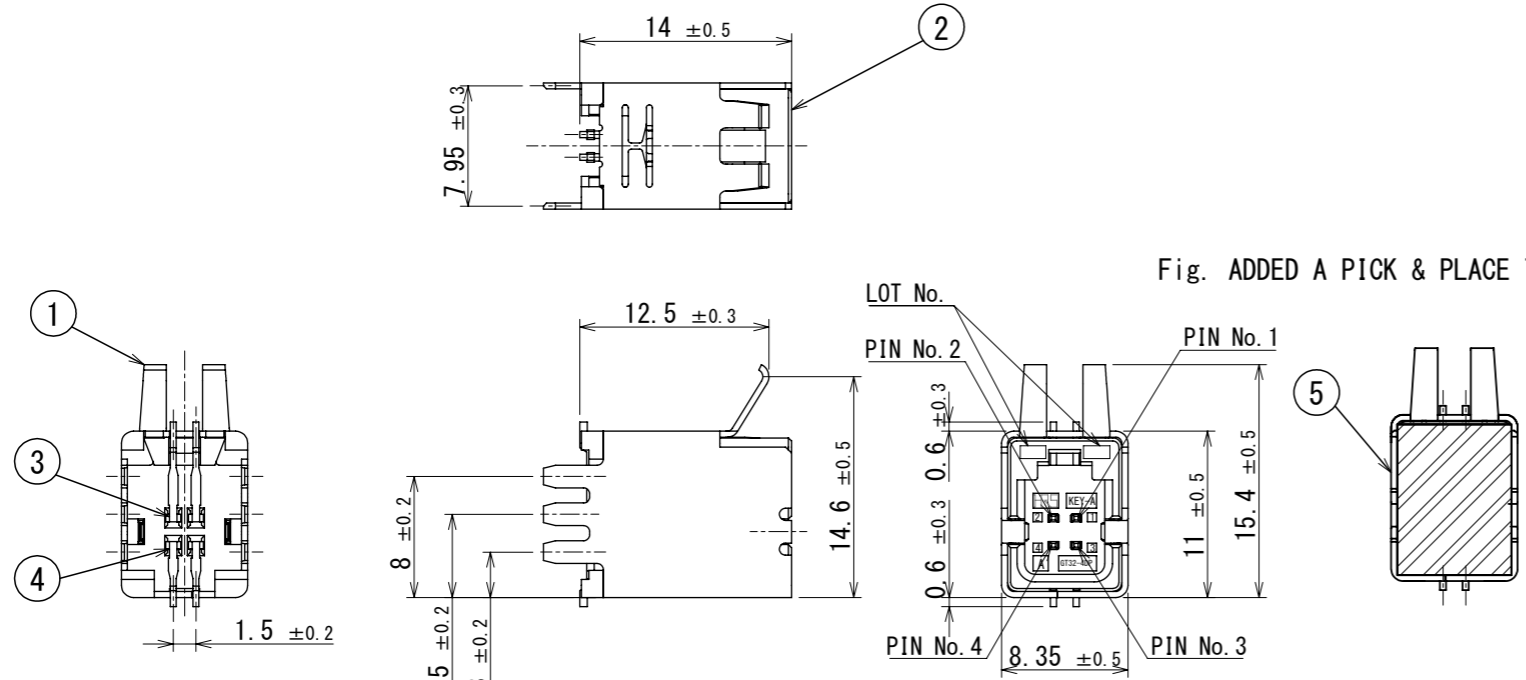
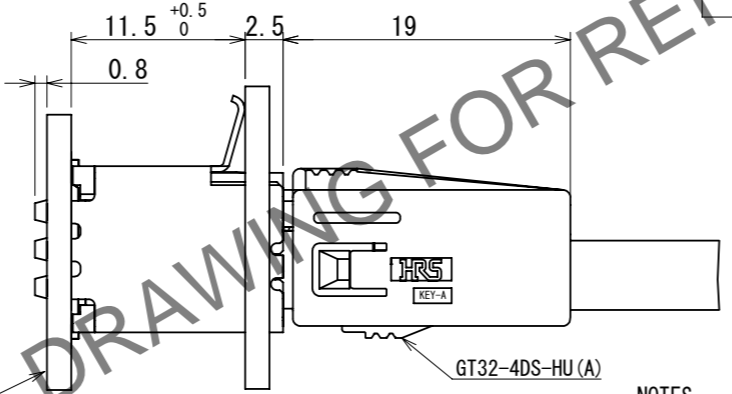
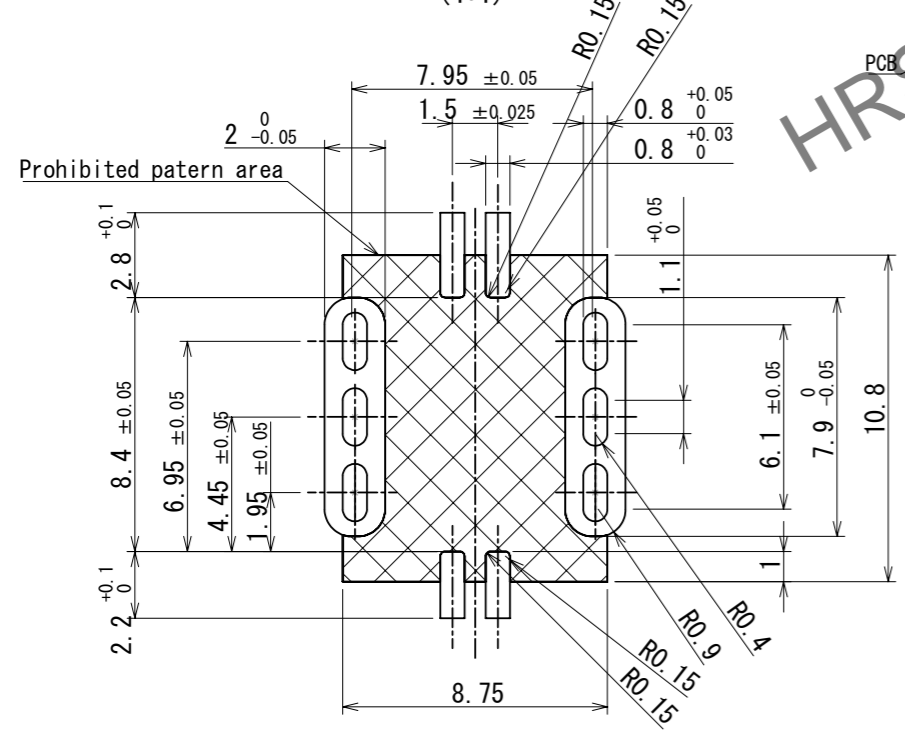


Fig. ADDED A PICK & PLACE TAPE

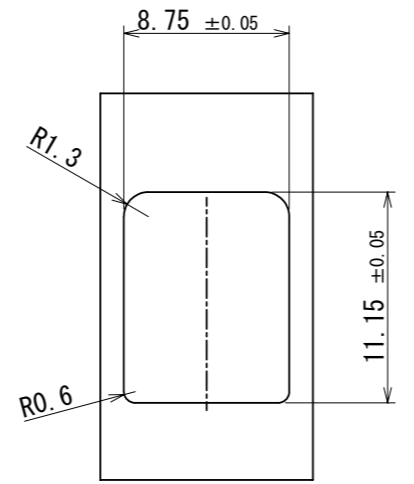
MATED CONNECTORS



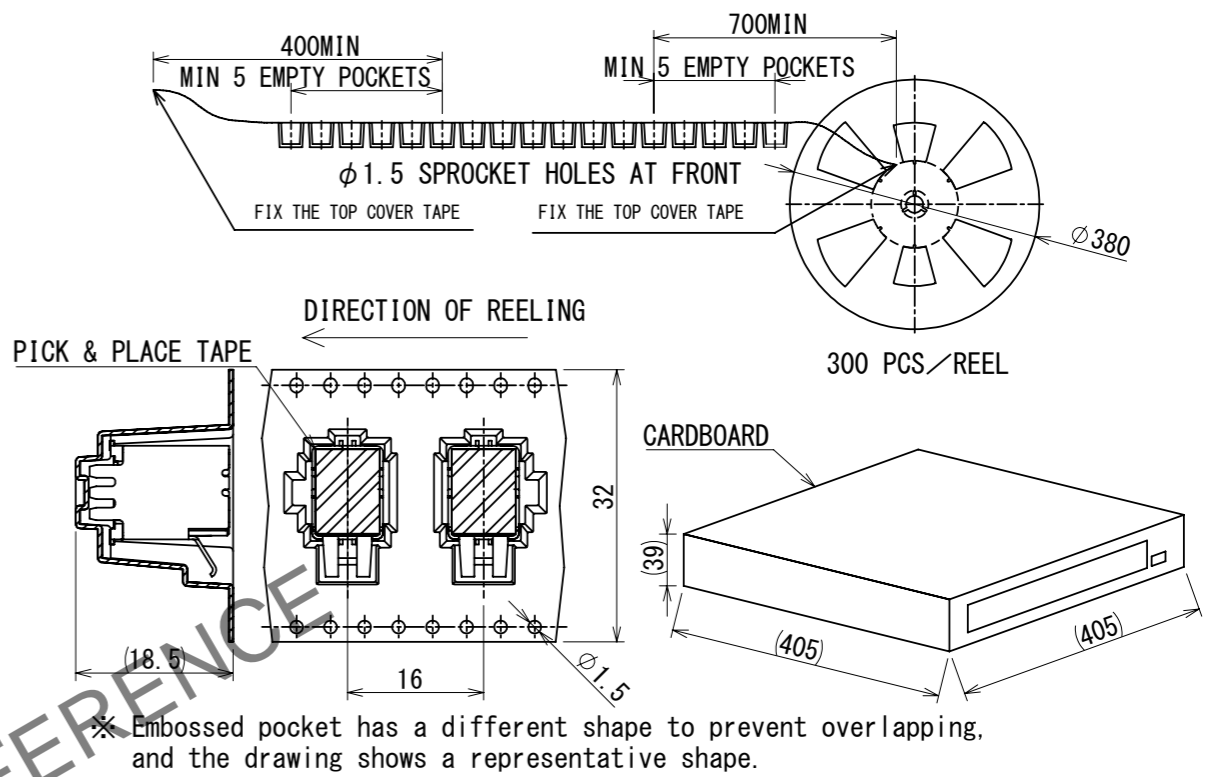
RECOMMENDED PCB LAYOUT (4:1)



RECOMMENDED PANEL CUTOUT

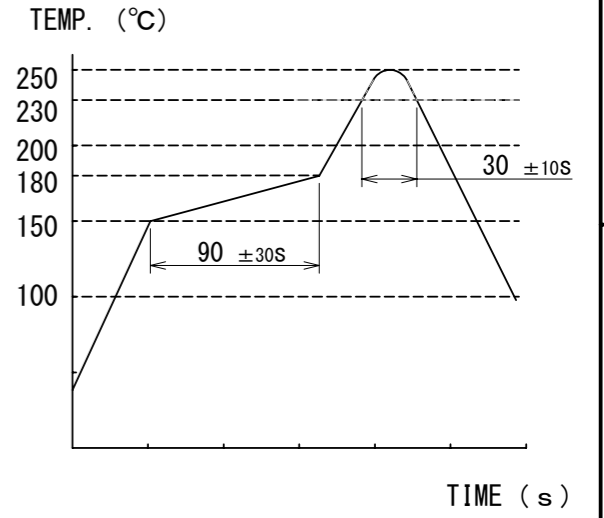


PACKING STYLE



NOTES

1. RECOMMENDED REFLOW PROFILE (SEE RIGHT GRAPH)
CYCLE TIME: UP TO 2 CYCLES OF REFLOW SOLDERING ARE POSSIBLE UNDER THE CONDITIONS, PROVIDED THAT THERE IS A RETURN TO NOMAL TEMPERATURE BETWEEN THE FIRST AND SECOND CYCLE.
PEAK TEMPERATURE: 250°C
230°C MIN, FOR 20 TO 40 SECONDS.
PREHEATING AREA 150~180°C FOR 60 TO 120 SECONDS.
2. HAND SOLDERING: 280~300°C, 2SECONDS MAX.
3. CONTACT COPLANARITY: 0.1mm MAX.
4. RECOMMENDED THICKNESS OF PCB: 1.6mm
5. RECOMMENDED THICKNESS OF SOLDERING PASTE: 0.12mm



3	BRASS	TIN PLATING	5	POLYIMIDE	PICK & PLACE TAPE					
2	PA	BROWN	4	BRASS	TIN PLATING					
1	COPPER ALLOY	TIN PLATING								
NO.	MATERIAL	FINISH	REMARKS	NO.	MATERIAL	FINISH	REMARKS			
UNITS	mm		SCALE	2:1	COUNT	0	DESCRIPTION OF REVISIONS	DESIGNED	CHECKED	DATE
HRS			HIROSE ELECTRIC CO., LTD.		APPROVED : AR. SHIRAI 2018.02.01		DRAWING NO. EDC-362123-30-01		2023.10.19	
					CHECKED : AR. SHIRAI 2018.02.01		PART NO. GT32-4DP-1.5V(A) (30)			
					DESIGNED : TS. KUBOTA 2018.02.01		CODE NO. CL0782-0065-4-30			
					DRAWN : TS. KUBOTA 2018.02.01					