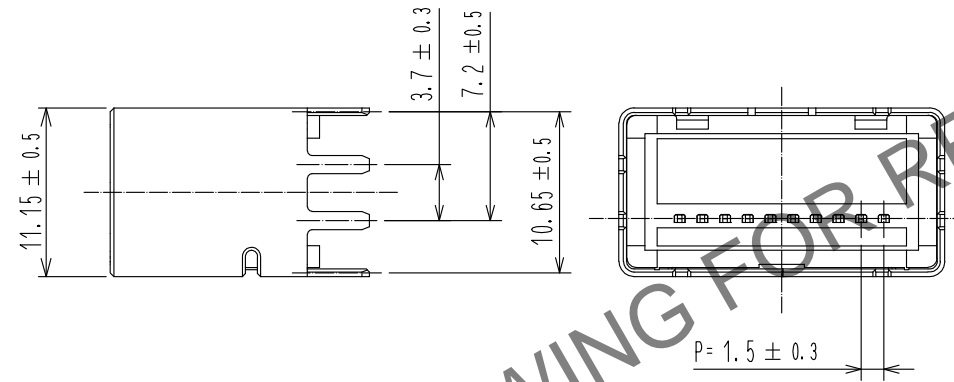
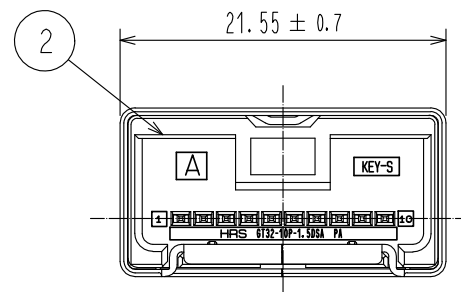
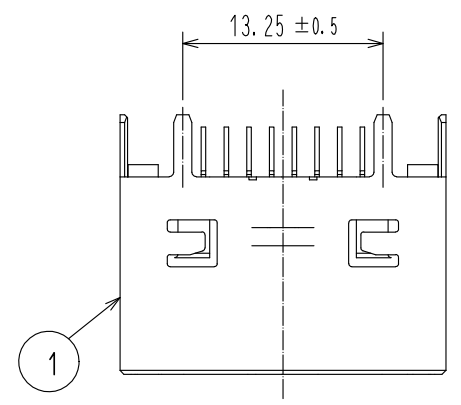
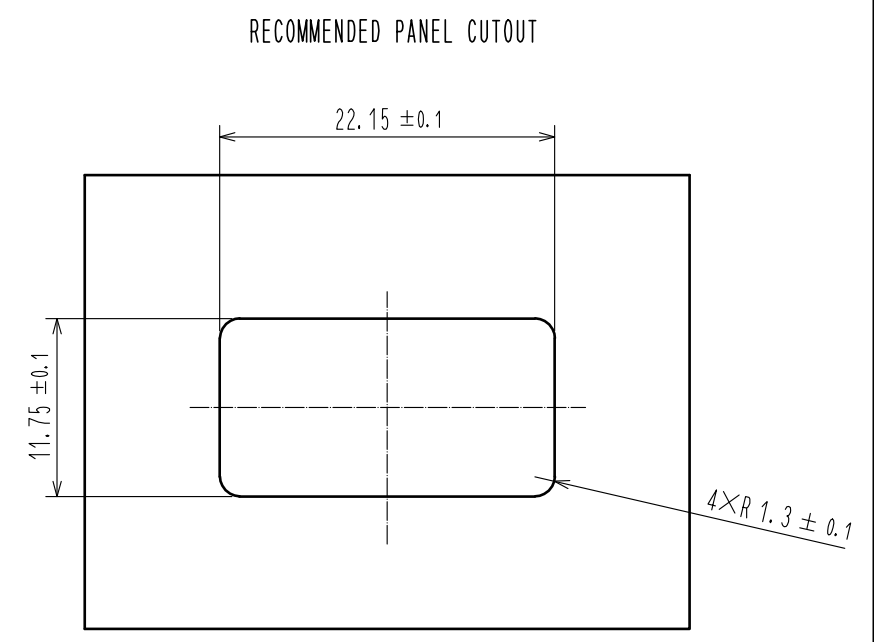
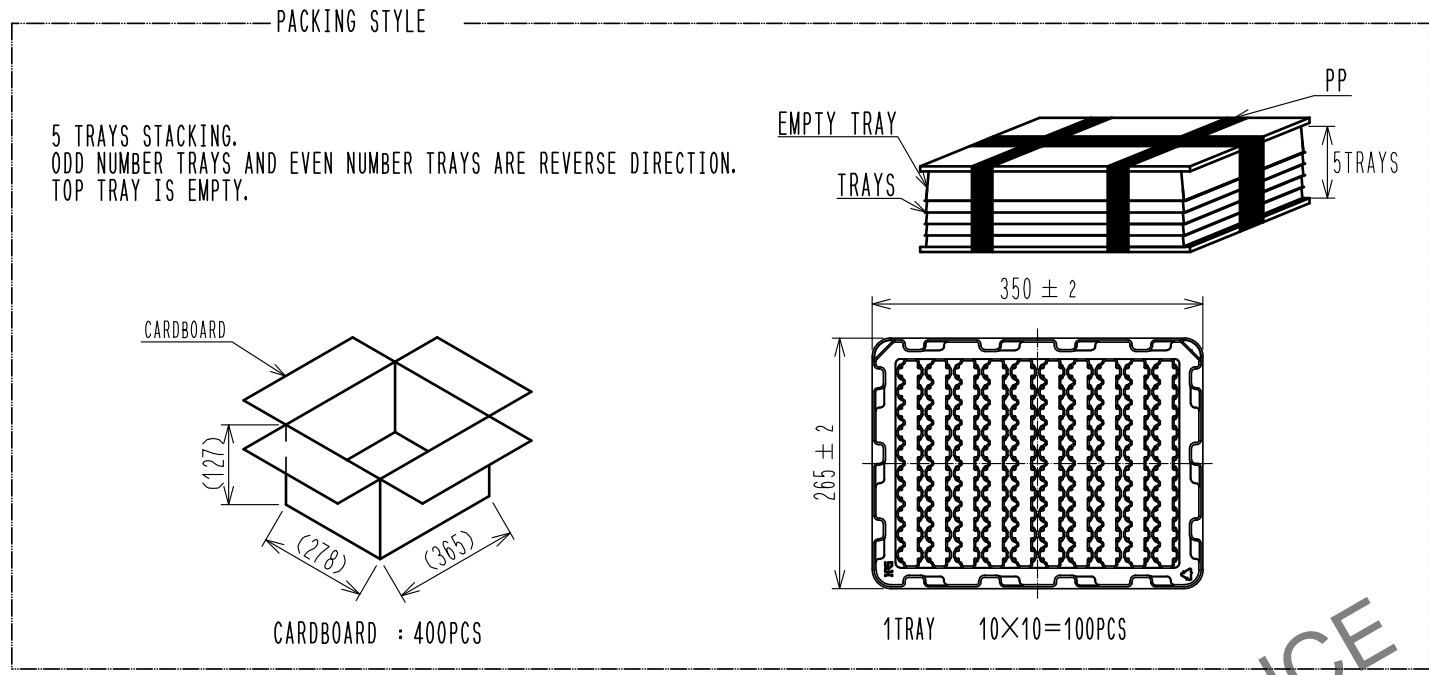
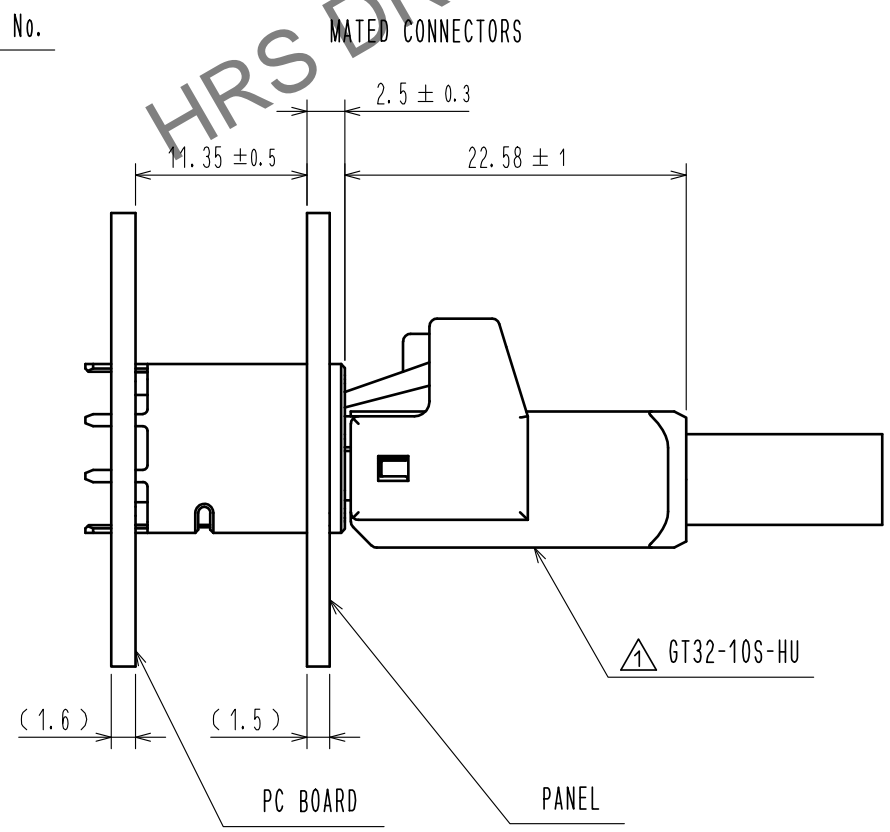
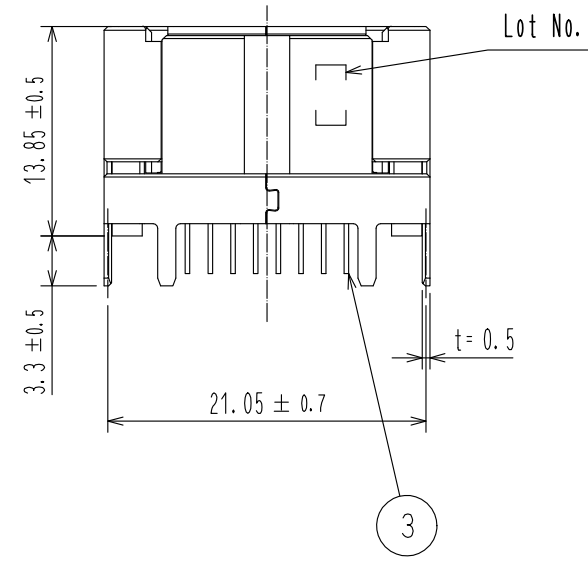
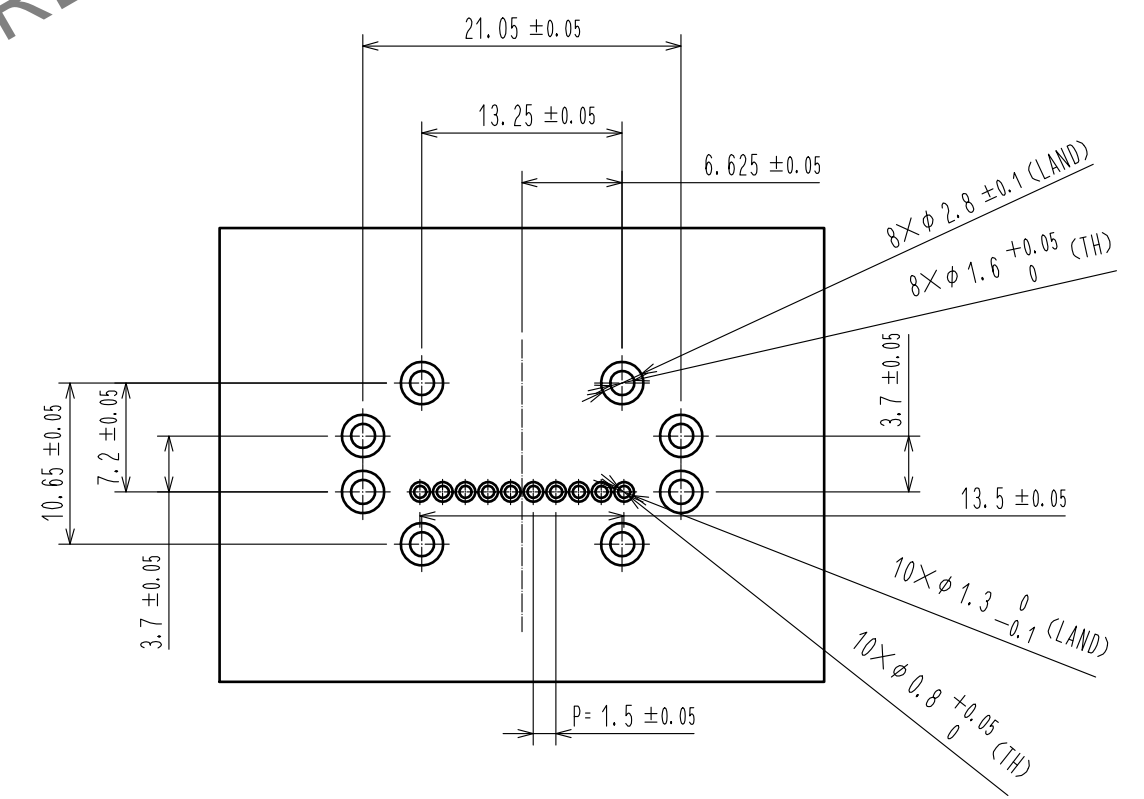


Jan.1.2025 Copyright 2025 HIROSE ELECTRIC CO., LTD. All Rights Reserved.  
In case of consideration for using Automotive equipment / device which demand high reliability, kindly contact our sales window correspondents.

ELV, RoHS COMPLIANT



RECOMMENDED PC BOARD LAYOUT



NOTES  
1) IN CASE OF MOUNTING THE CONNECTOR TO PCB, PUT THE CONNECTOR WITH OWN-WEIGHT

2	PA	LIGHT GRAY	3	BRASS	TIN PLATED		
1	COPPER ALLOY	TIN PLATED					
NO.	MATERIAL	FINISH . REMARKS	NO.	MATERIAL	FINISH . REMARKS		
UNITS	mm	SCALE	COUNT	DESCRIPTION OF REVISIONS	DESIGNED	CHECKED	DATE
		2 : 1	1	DIS-T-00003021	YT. TAKANASHI	TH. MIZUGUCHI	18. 03. 26
APPROVED : AR. SHIRAI		17. 10. 11		DRAWING NO. EDC-375783-00-00			
CHECKED : TH. MIZUGUCHI		17. 10. 11		PART NO. GT32-10P-1.5DSA			
DESIGNED : YT. TAKANASHI		17. 10. 11		CODE NO. CL782-0080-0-00			
DRAWN : YT. TAKANASHI		17. 10. 11					