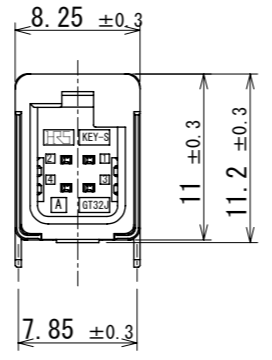
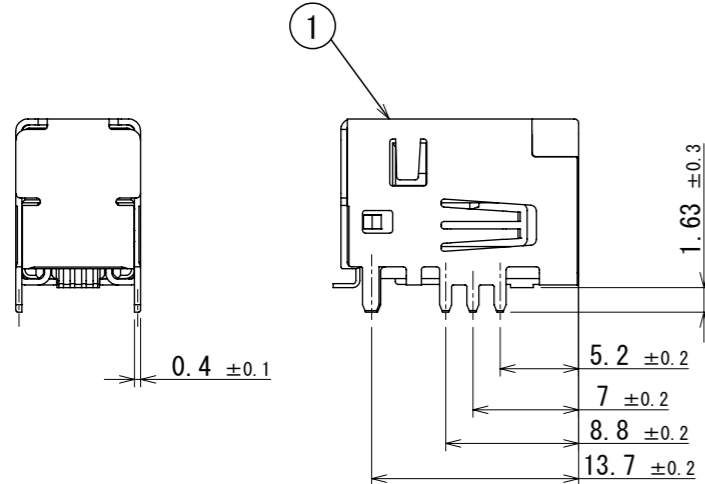
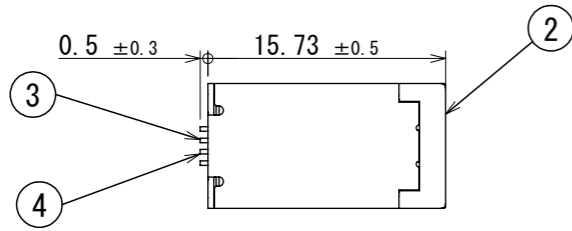
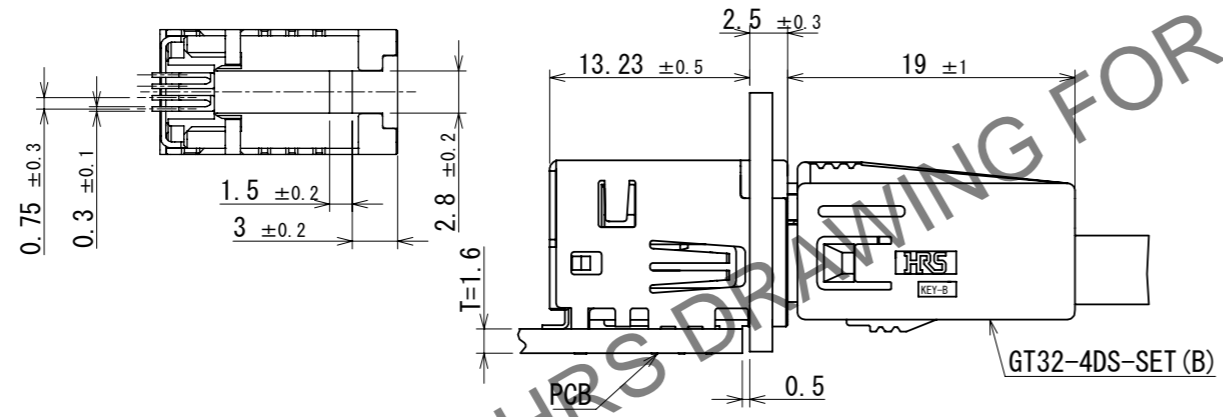


Jan.1.2025 Copyright 2025 HIROSE ELECTRIC CO., LTD. All Rights Reserved.
 In case of consideration for using Automotive equipment / device which demand high reliability, kindly contact our sales window correspondents.

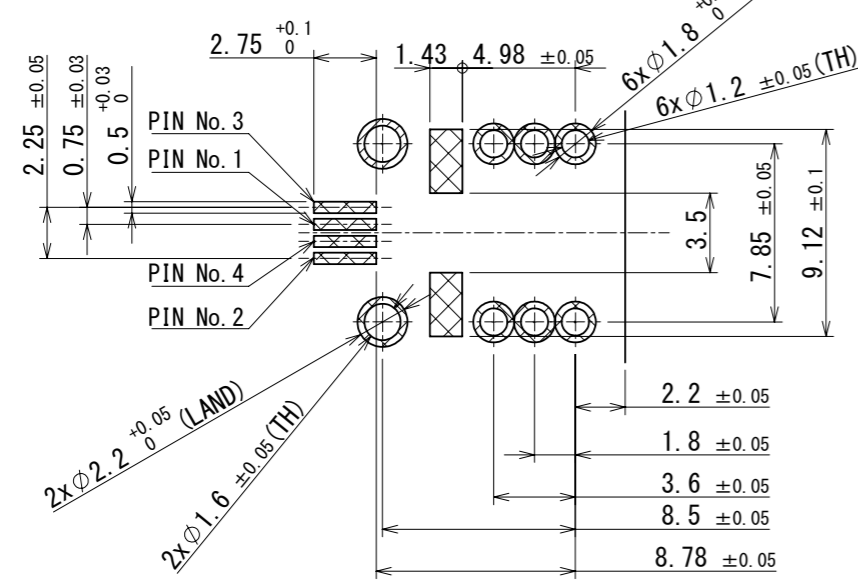
ELV, RoHS COMPLIANT



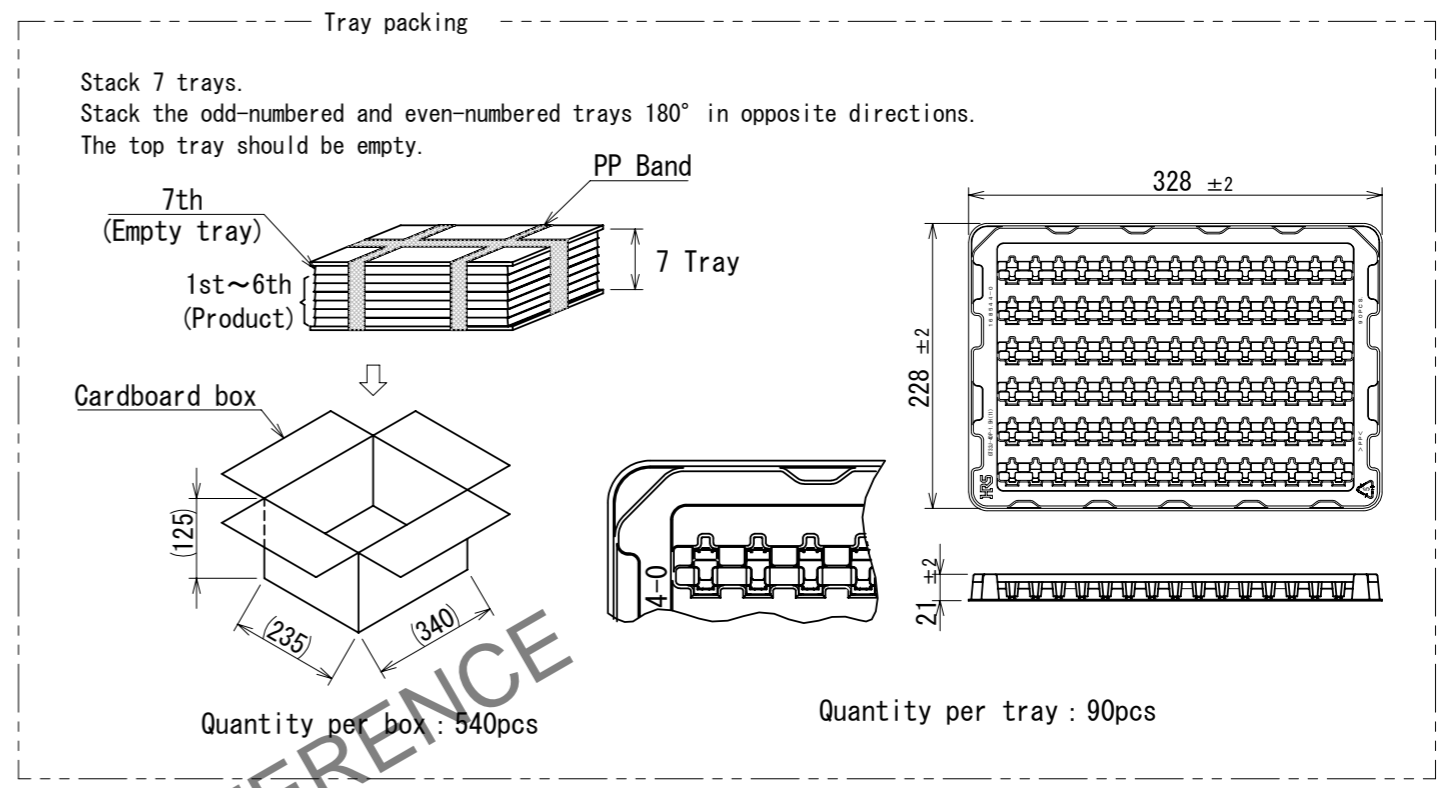
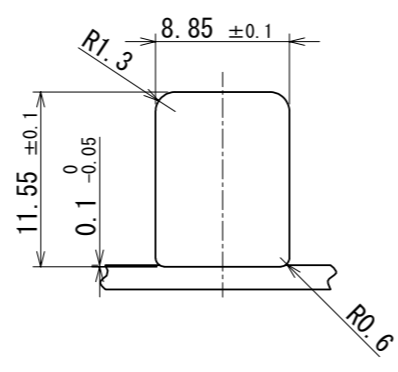
Mounting and mating state



Recommended land pattern (3:1)



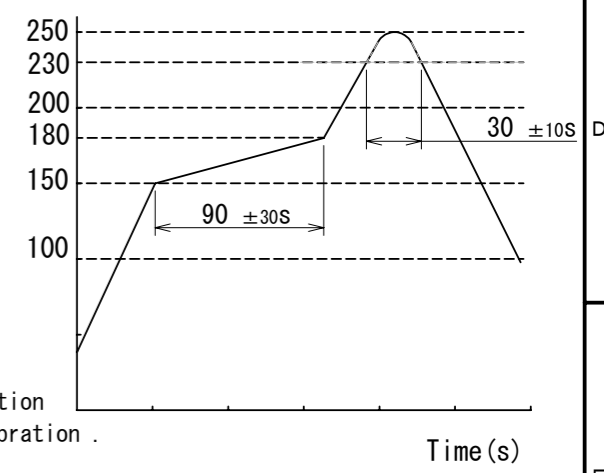
Panel size



NOTES

- Recommended temperature profile (see graph on the right)
 Number of reflow times : 2 times
 Peak temperature : 250°C
 230° C or higher : 20 to 40s
 Preheat temperature : 150 to 180°C, 60 to 120s
- Hand soldering / soldering iron temperature:
 280 to 300°C, within 2s.
- Terminal coplanarity 0.1mm MAX
- Recommended PCB thickness: T=1.6mm.
- Recommended solder paste thickness: 0.12mm.
- ⊗ in the Recommended land pattern (3:1) is the pattern prohibited area.
- When routing the cable, secure the cable with appropriate position so that the wiring harness should not be pried or shaken by vibration.

Temp. (°C)



2	PA	GREEN	4	BRASS	TIN PLATING			
1	COPPER ALLOY	TIN PLATING	3	BRASS	TIN PLATING			
NO.	MATERIAL	FINISH	REMARKS	NO.	MATERIAL	FINISH	REMARKS	
UNITS		SCALE	COUNT	DESCRIPTION OF REVISIONS		DESIGNED	CHECKED	DATE
mm		2:1	0	DIS-T-00018419		KN. YANAGIMOTO	EJ. WAKATSUKI	2023.06.19
HRS HIROSE ELECTRIC CO., LTD.		APPROVED : KI. HIROKAWA	2021.12.16	DRAWING NO.		EDC-393610-11-02		
		CHECKED : EJ. WAKATSUKI	2021.12.16	PART NO.		GT32J-4DP-1.5H(B) (11)		
		DESIGNED : YK. KANNO	2021.12.16	CODE NO.		CL0782-0086-0-11		
		DRAWN : YK. KANNO	2021.12.16					