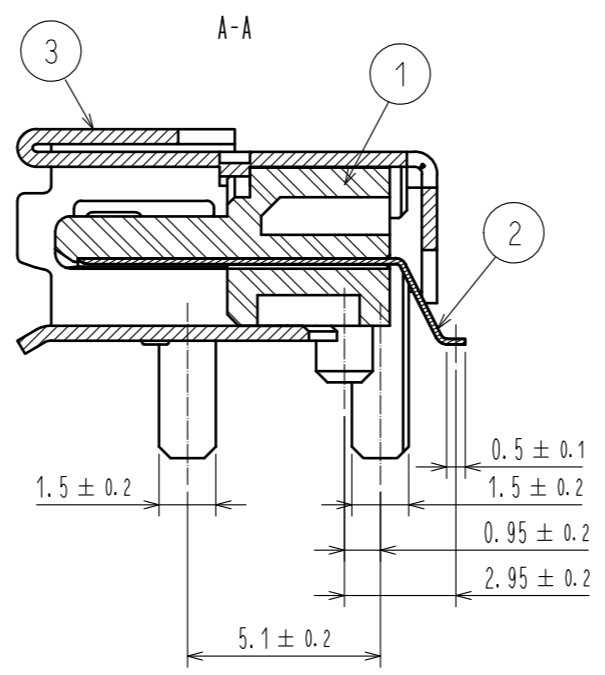
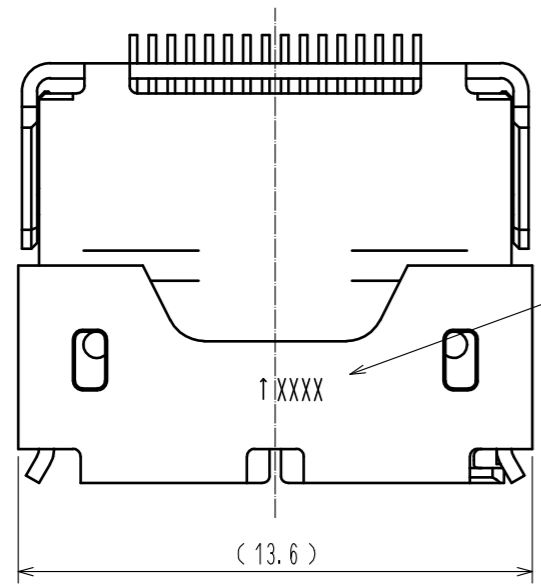


Sep.1.2024 Copyright 2024 HIROSE ELECTRIC CO., LTD. All Rights Reserved.
In case of consideration for using Automotive equipment / device which demand high reliability, kindly contact our sales window correspondents.

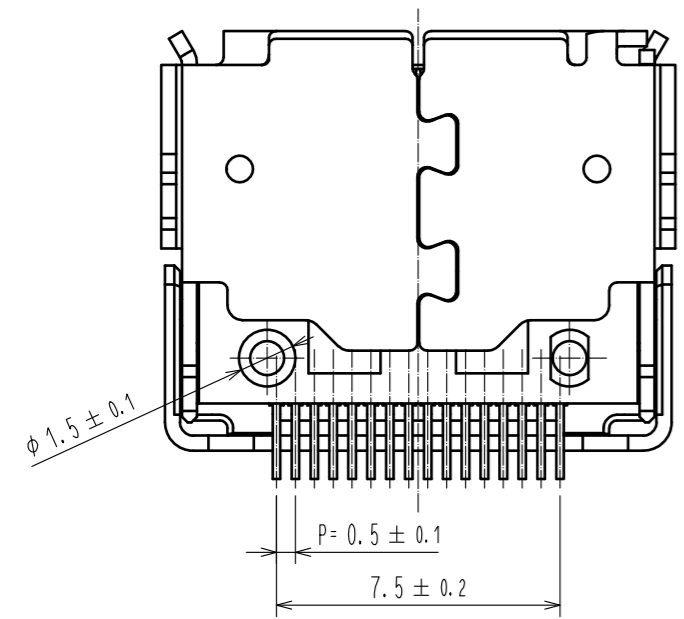
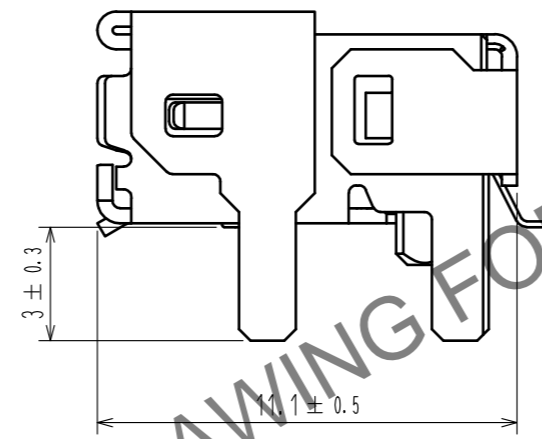
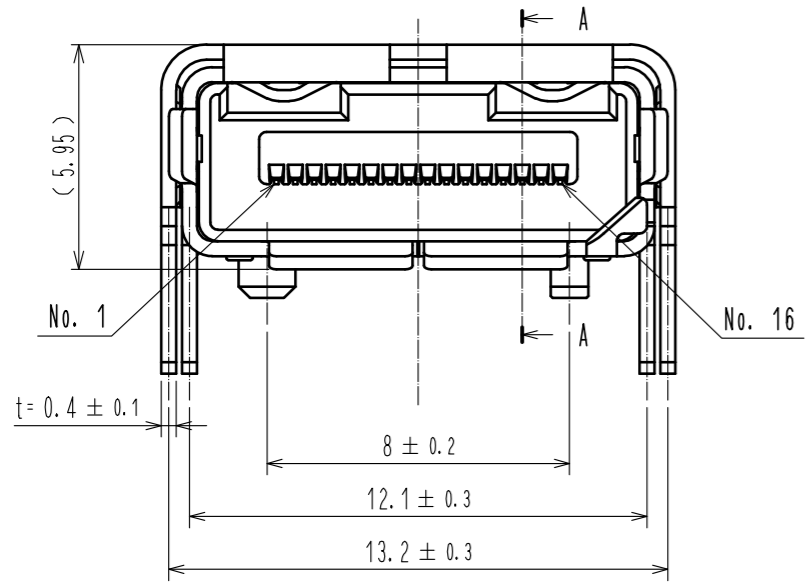


Parts list

Part No	Parts name	Qty/IR2	Material
1	P Housing	1	PA
2	P Contact	16	② Copper Alloy
3	Metal Shell	1	③ Stainless Steel
4	Embossed Carrier Tape	-	PS (Clear)
5	Top Cover Tape	-	PET (Clear)

Pin layout

Pin No	Pin name	I/O	Pin No	Pin name	I/O
1	VDD	POWER	9	GND	GND
2	VDD	POWER	10	EO-DATA-	INPUT
3	GRN-LEDn	INPUT	11	EO-DATA+	INPUT
4	OE-S0n	OUTPUT	12	GND	GND
5	ANDATA	OUTPUT	13	EO-ACT	INPUT
6	GND	GND	14	EO-ACTn	OUTPUT
7	OE-DATA-	OUTPUT	15	AMB-LEDn	INPUT
8	OE-DATA+	OUTPUT	16	NC	-



NOTE 1 All lead co-planarity shall be 0.1mm maximum.

- ② Contact plating
 - Contact area: Au
 - SMT area : Au
- ③ Shell plating
 - All area : Sn

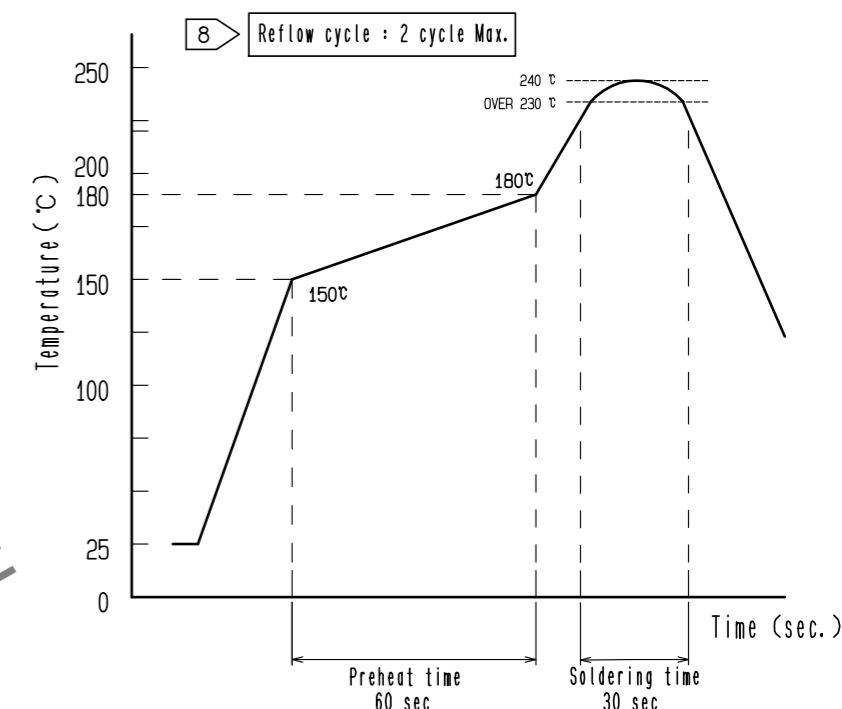
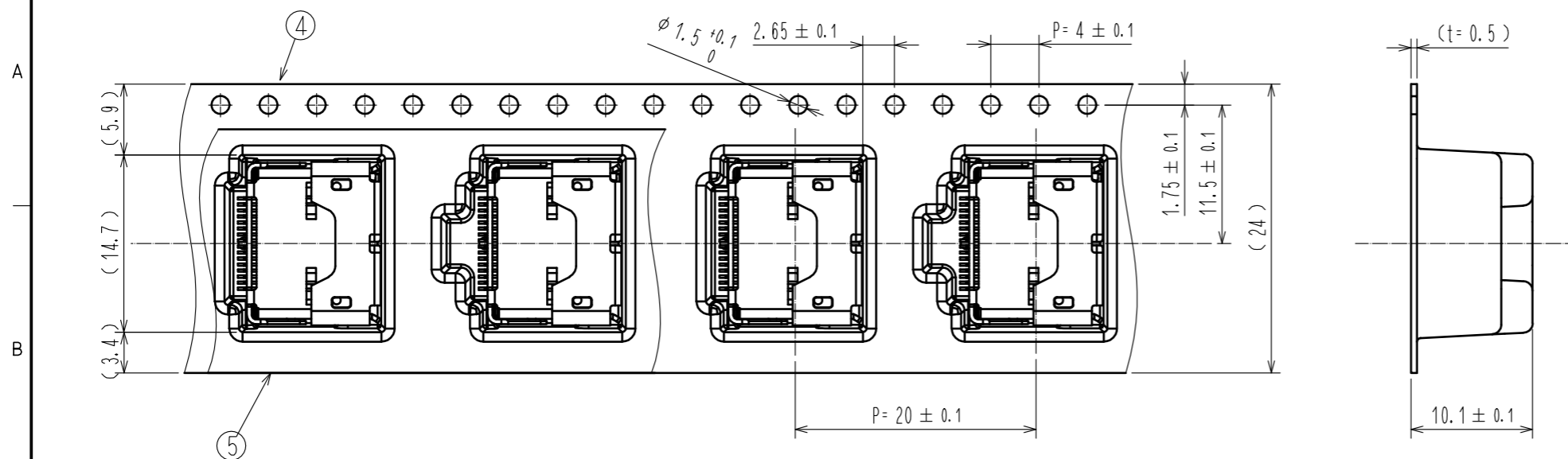
- 4 The peeling strength of cover tape shall comply with IEC 60286-3.
- 5 Embossed carrier tape has sprocket holes on one side.
- ⑥ Recommended land pattern is shown. Please do not arrange any via without resist in the hatching part shown in the figure.
- 7 The shell should be implemented with selective wave soldering.
- ⑧ Mounting the shell on the rear surface, please fix it to the board to prevent falling through the reflow process.
- 9 As for part No.3 the performance does not effect even if there are rubbing wounds by the assembly process. And the performance does not effect though there might be a difference in the plating luster between each plating lots.

NO.	MATERIAL	FINISH . REMARKS	NO.	MATERIAL	FINISH . REMARKS
UNITS mm		SCALE 5 : 1	COUNT 	DESCRIPTION OF REVISIONS	DESIGNED CHECKED DATE
APPROVED : YY. HIYAMA 20200907			DRAWING NO. EDC-384993-01-00		
CHECKED : TS. YAMAZAKI 20200907			PART NO. BF4-IR2-16P-0.5SH(01)		
DESIGNED : TY. SATO 20200907			CODE NO. CL831-1020-0-01		
DRAWN : SK. AOYAMA 20200907					

Sep.1.2024 Copyright 2024 HIROSE ELECTRIC CO., LTD. All Rights Reserved.
 In case of consideration for using Automotive equipment / device which demand high reliability, kindly contact our sales window correspondents.

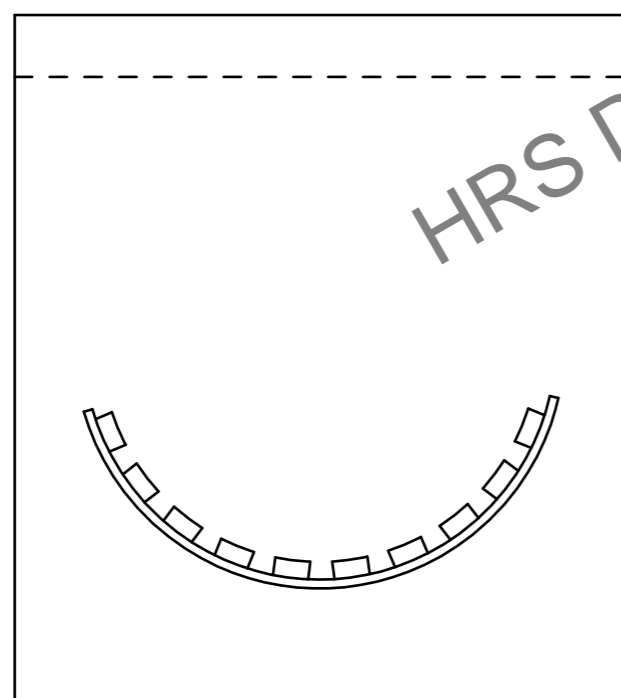
Dimension of embossed carrier tape (Scale: free)

Recommended reflow temperature profile using Lead-Free solder paste.



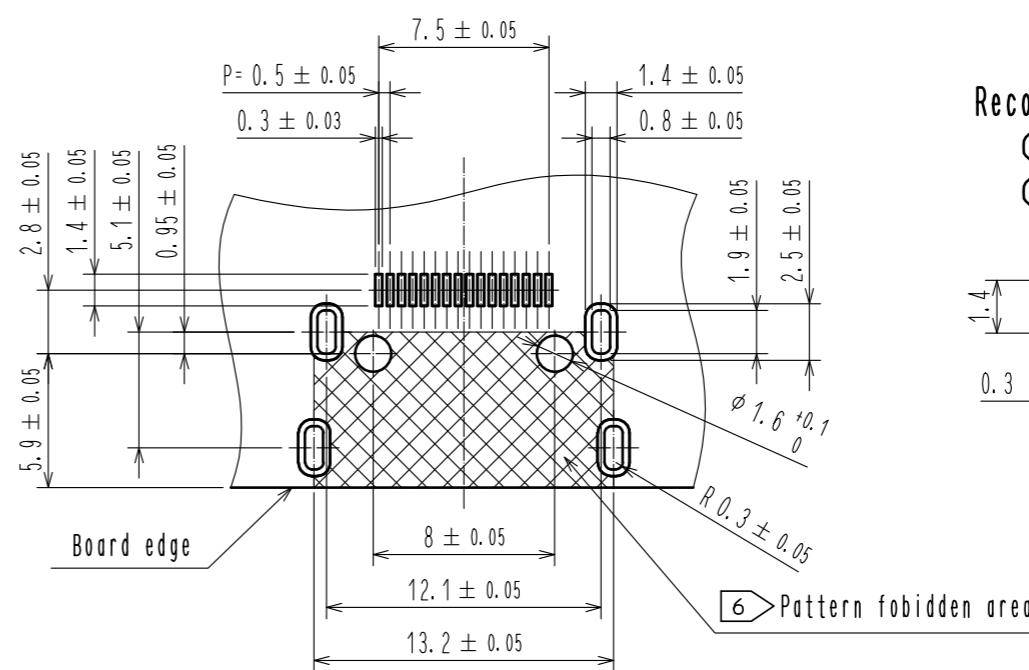
Packing style (Scale : FREE)

10 pcs. per pack

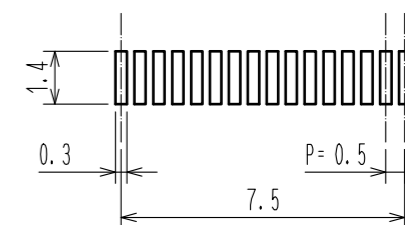


Plastic Bag

Recommended PCB land pattern (Scale: free)
 (PCB thickness: 2.4mm)

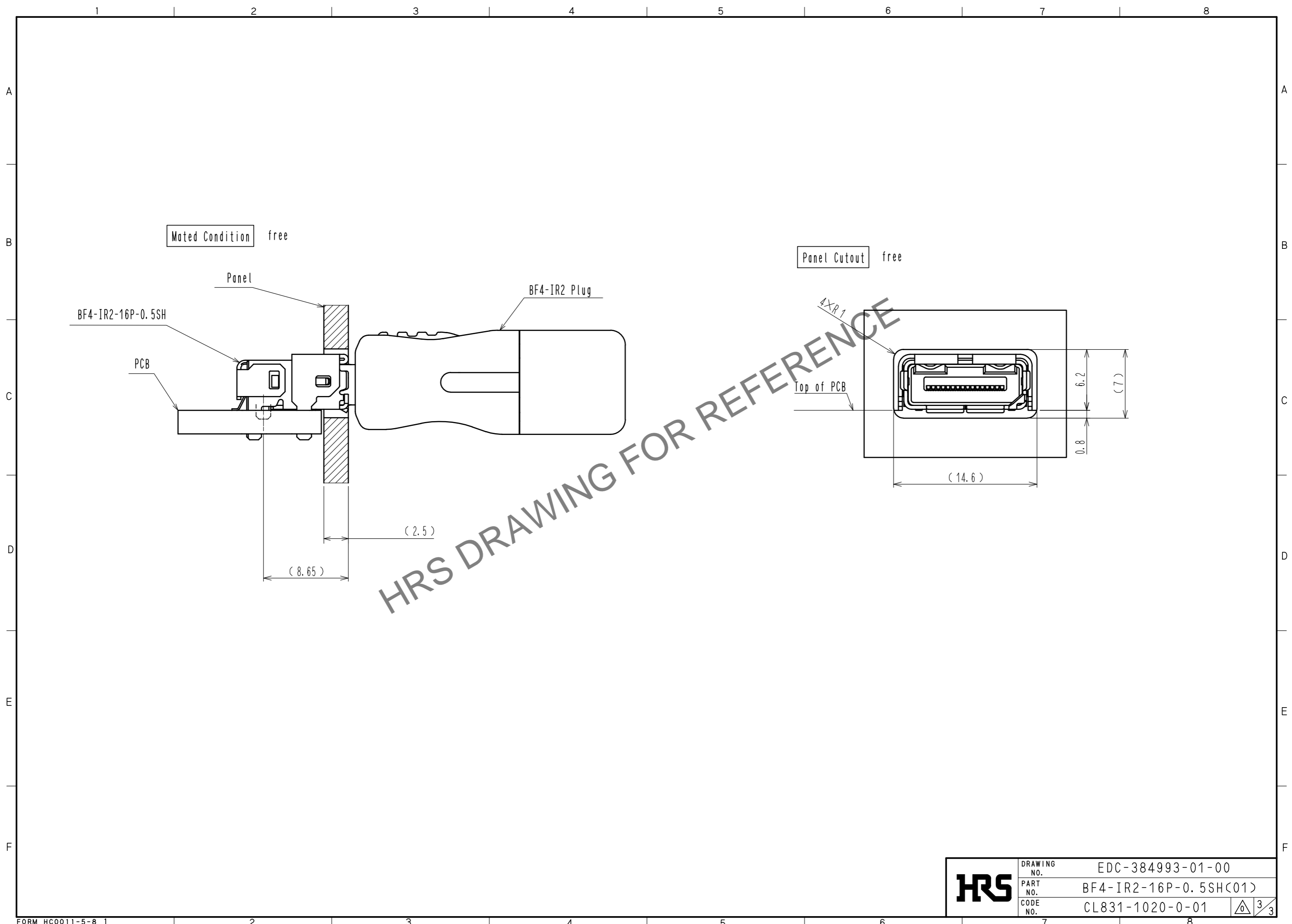


Recommended stencil dimensions
 (Scale: free)
 (Thickness: 120 μm)



HRS	DRAWING NO.	EDC-384993-01-00
	PART NO.	BF4-IR2-16P-0.5SH(C01)
	CODE NO.	CL831-1020-0-01
		\triangle 2/3

Sep.1.2024 Copyright 2024 HIROSE ELECTRIC CO., LTD. All Rights Reserved.
In case of consideration for using Automotive equipment / device which demand high reliability, kindly contact our sales window correspondents.



HRS DRAWING FOR REFERENCE

HRS	DRAWING NO.	EDC-384993-01-00
	PART NO.	BF4-IR2-16P-0.5SH(01)
	CODE NO.	CL831-1020-0-01
		△ 3/3