



BM50 Series

Supports up to 15A, Fully Armored Power and Signal Hybrid FPC-to-Board Connector

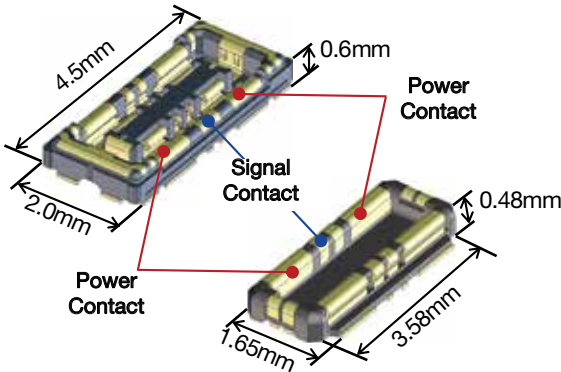
FEATURES:

- ▶ Compact design with high power contacts
 - Rated Current: Power contact 15A, signal contact 0.3A
 - Mated Height: 0.6mm, Depth: 2.0mm
- ▶ Fully armored robust design
- ▶ Minimized contact resistance contributes to power savings
- ▶ Small size and high extraction force
- ▶ Multi-point dimpled contact design for high contact reliability

The CES Innovation Awards are based upon descriptive materials submitted to the judges. CTA did not verify the accuracy of any submission or of any claims made and did not test the item to which the award was given.

Contributes to Space Reduction & Higher Current Capability

Contributes to Size Reduction of Customer Applications

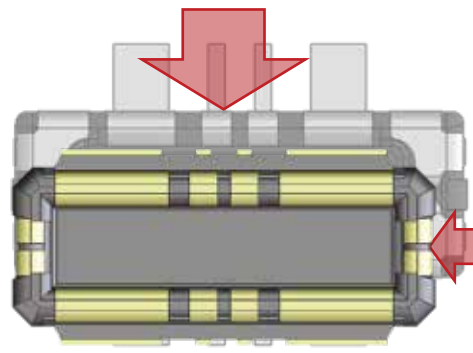


BM50 Series

- Length : **4.5mm**
- Depth: **2mm**
- Pitch: **0.35mm**
- Mated Height: **0.6mm**
- Rated Current: **15A** (Power Contact)

Mounting Area Ratio
 Reduced Approximately 40%

Width Reduced Approximately 35%

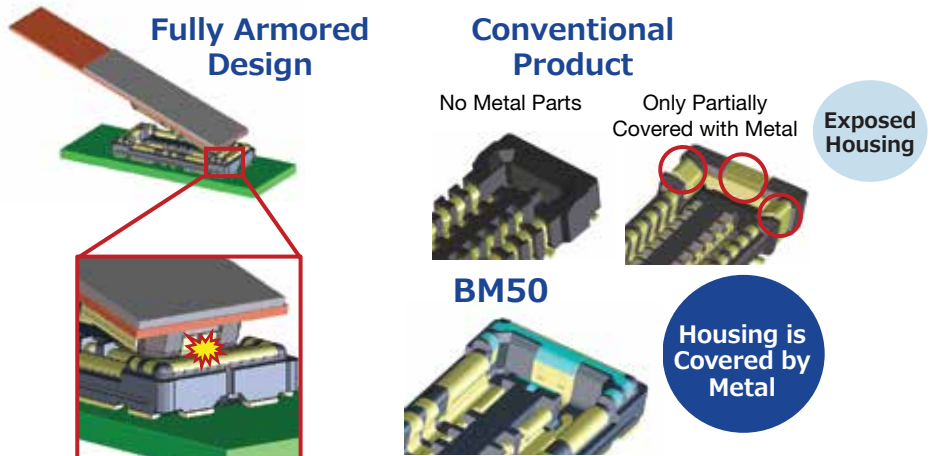


Comparison with the BM25

Length
 Reduced
 Approximately
 10%

Robust Design

Comparison of
 Conventional Products
 and Fully Armored Design



Wide Self-Alignment Range

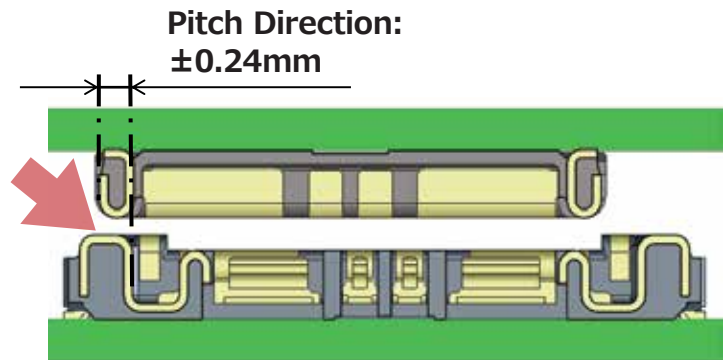
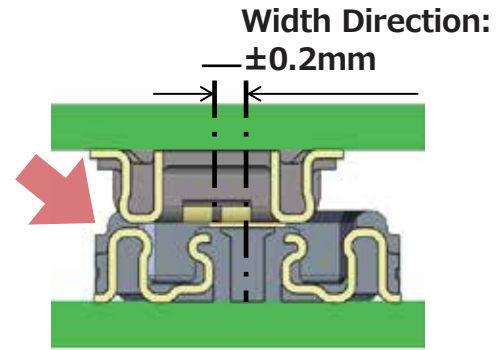
Self-Alignment Range

Pitch Direction: 0.24mm, Width Direction: 0.2mm



Guidance Ribs Self-alignment range during mating is expanded by using space effectively.

Smooth Mating Operation in Ultra Compact Design



Specifications

MATERIAL AND FINISH

Component	Material	Finish, Remarks
Housing	LCP ^{*1}	Black, UL94V-0
Signal Contact	Copper Alloy	Gold Plated (Nickel Underplating)
Power Contact	Copper Alloy	Gold Plated (Nickel Underplating)

PERFORMANCE CHARACTERISTICS

Rated Current	Power Contact: 15A / Signal Contact: 0.3A
Rated Voltage	60V AC/DC
Operating Temperature	-55 to +85°C ^{*2}
Contact Resistance	Power Contact: 5mΩ / Signal Contact: 30mΩ (20mV AC, 1kHz, 1mA) 150V
Withstanding Voltage	AC for 1 min.
Insulation Resistance	1000MΩ Min. (100V DC)
Mating Durability	10 times

- RoHS Compliant

^{*1} This product satisfies halogen free requirements defined as 900ppm maximum chlorine, 900ppm maximum bromine, and 1500ppm maximum total of chlorine and bromine.
^{*2} Includes temperature rise by current flow.



For additional information please go to
<https://www.hirose.com/product/series/BM50>
 Specifications herein are subject to change without notice.
 Contact Hirose for latest specifications, drawings, or availabilities.

STAY CONNECTED

