

Applications:



Smartphone



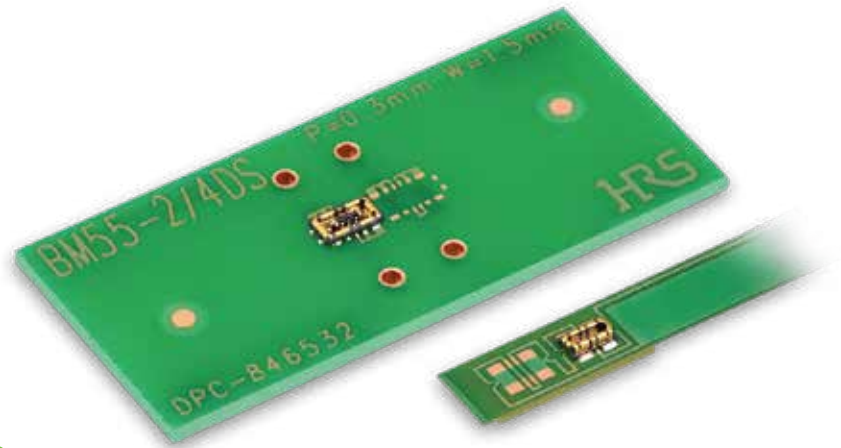
Wearables



Laptops & Tablets

Hirose Electric's New BM55 Series Has Been Selected as a CES® 2023 Innovation Awards Honoree

We are pleased to announce that Hirose's newly released compact board-to-board/FPC connector, the BM55 Series, has been recognized as a CES® Innovation Awards* Honoree in the Wearable Technologies category. Selection for the CES® 2023 Innovation Awards program was held prior to the Consumer Electronics Show (CES) 2023, the world's largest trade show.



Up to 18GHz Performance with 50% more retention!

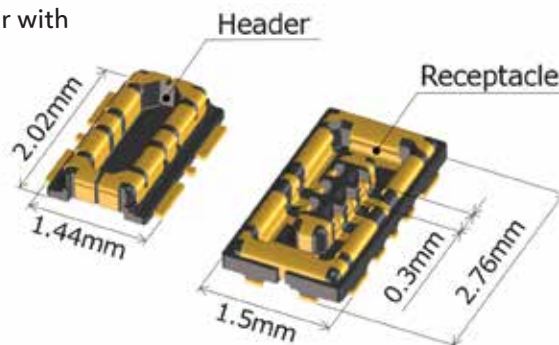
[Click Here To Order Sample Number: US-BM55SAMPLE-22](#)

BM55 Series Dimensions (2pos.)

Mated Height: 0.5mm

Features: Ultra Compact, Full Armored, Board-to-Board/FPC Connector

- Ultra small Board-to-Board/FPC connector with 0.5mm mated height, 0.3mm pitch, 1.5mm depth
- Supports up to 5A
 - Power contact: 5A, Signal contact: 0.3A
- Fully armored design ensures high robustness and extraction force
- Clear tactile click even at a compact size

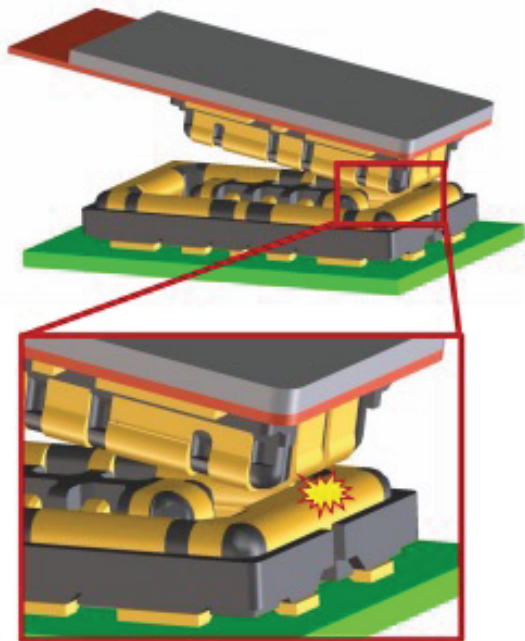


Current capacity of up to 5A along with a robustness and fully armored design despite it's extremely small size

[CLICK HERE FOR MORE INFORMATION](#)

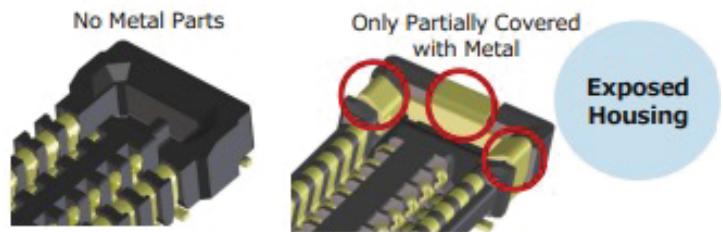
*The CES Innovation Awards are based upon descriptive materials submitted to the judges. CTA did not verify the accuracy of any submission or of any claims made and did not test the item to which the award was given.

Fully Armored Design

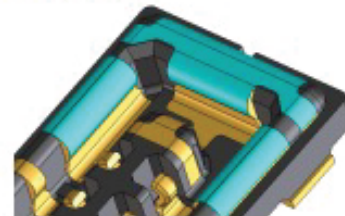


Comparison of Conventional Products and Fully Armored Design

< Conventional Products >



< BM55 >



Fully Armored Design Prevents Housing Damage

Component	Material	Finish/Remarks
Housing	LCP*1	Black, UL94V-0
Signal Contact	Copper Alloy	Gold Plated (Nickel Underplating)
Power Contact	Copper Alloy	Gold Plated (Nickel Underplating)

*1 This product satisfies halogen free requirements defined as 900ppm maximum chlorine, 900ppm maximum bromine, and 1500ppm maximum total of chlorine and bromine.

Performance Characteristics

Rated Current	Power Contact: 5A Signal Contact: 0.3A
Rated Voltage	30V AC/DC
Operating Temperature	-55 to +85°C*2
Contact Resistance	Power Contact: 30mΩ Max. Signal Contact: 50mΩ Max.
Withstanding Voltage	150V AC for 1 min.
Insulation Resistance	50MΩ Max. (100V DC)
Mating Durability	10 times

*2 Includes the temperature rise due to current flow.

- Pin Count Variation: 2pos.

Specifications herein are subject to change without notice.
Contact Hirose for latest specifications, drawings, or availabilities.

STAY CONNECTED

