



## CX90BW-16P Series

Water-Resistant Top-Mount USB Type-C Receptacle

### FEATURES:

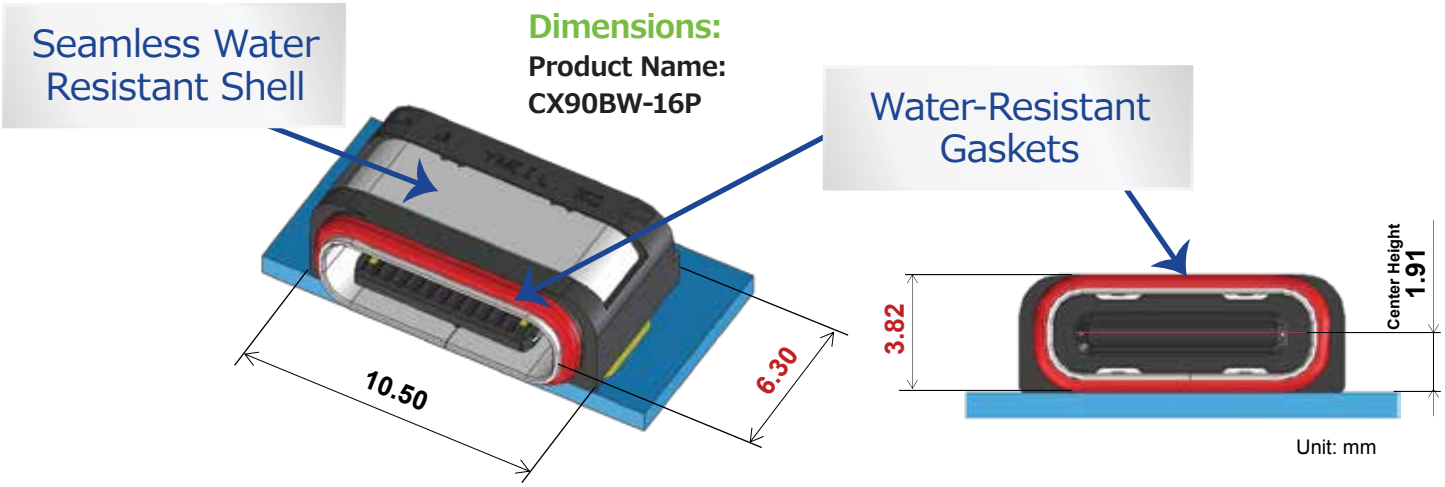
1. Water-Resistant USB Type-C Receptacle (IPX4\*1)  
 - Overmolded gasket design
2. 6A current rating for quick charging
3. Compact for space-saving end product design
4. 480Mbps / USB2.0
5. 2-point THR\* mounting increases peeling strength

\*1 IPX4 Water-resistant (unmated) test conditions : Water splashed for 10min.

\*2 THR, also known as PIP(Pin-in-Paste) process is, a method of soldering lead parts using surface mount (SMT) process and enhances manufacturing efficiency.

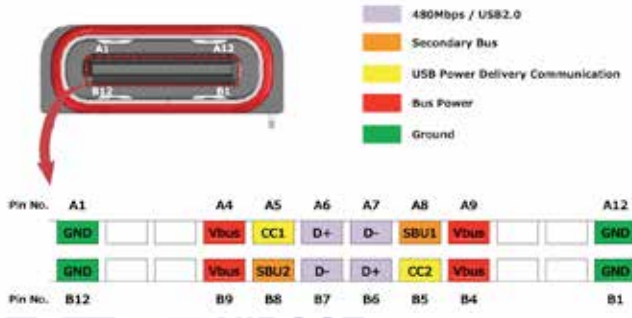
Water-Resistant IPX4 Standard

### 1. Water-Resistant USB Type-C Receptacle (IPX4\*1) - Overmolded gasket design

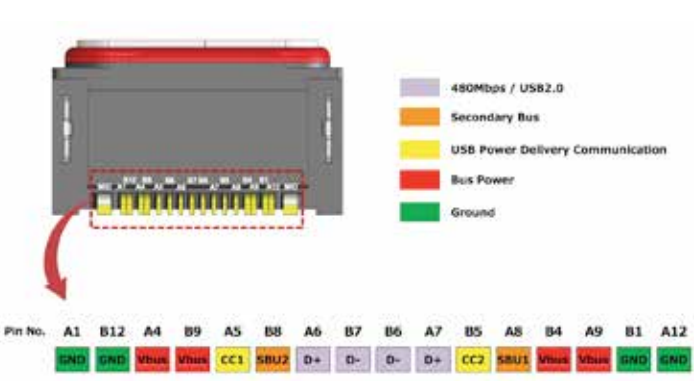


### 2. 6A current rating for quick charging

#### PIN ASSIGNMENT (MATING SIDE)



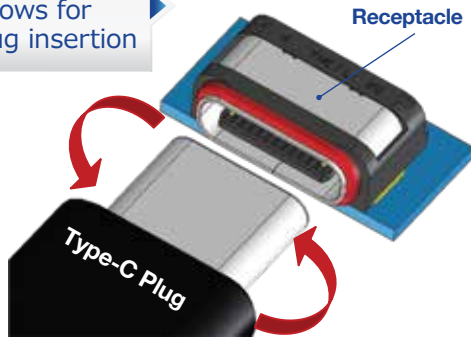
#### PIN ASSIGNMENT (MOUNTED SIDE)



### 3. Compact for space-saving end product design

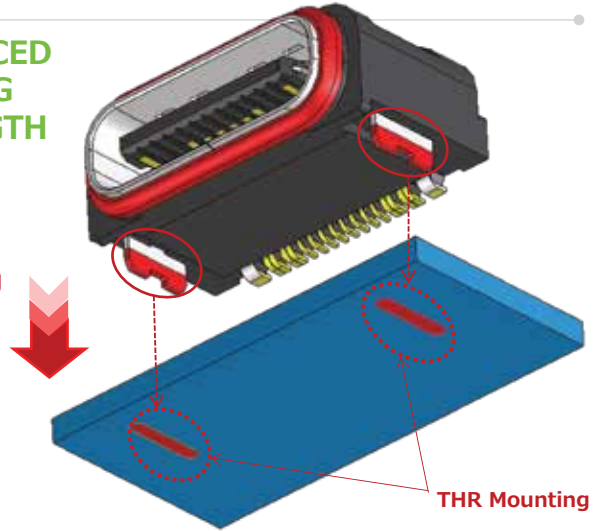
#### REVERSIBLE PLUG INSERTION

Symmetrical mating design allows for reversible plug insertion



#### ENHANCED PEELING STRENGTH

Mounting Direction



## Specifications

\*THR is also known as PIP (Pin-in-Paste) process, a method to solder components with through hole leads using surface mount (SMT) assembly process steps, enhances manufacturing efficiency.

### MATERIAL AND FINISH

Component	Material	Finish, Remarks
Insulator	Thermoplastic*	Black / UL94V-0
Contact A	Copper Alloy	Gold Plated (Nickel Underplated)
Contact B	Copper Alloy	Gold Plated (Nickel Underplated)
Mid Plate	Stainless Steel	Gold Plated (Nickel Underplated)
Shell	Stainless Steel	Washed
Bracket	Stainless Steel	Nickel Plated
Gasket	Urethane	Red

\*This product satisfies halogen free requirements defined as 900ppm maximum chlorine, 900ppm maximum bromine, and 1500ppm maximum total of chlorine and bromine.

### PERFORMANCE CHARACTERISTICS

Rated Current	1.50A Max. for each power pin (i.e. A1, A4, A9, A12, B1, B4, B9, B12) 1.25A Max. for VCON (i.e. B5), 0.25A for the other pins
Rated Voltage	20V AC/DC
Operating Temperature	-40 to +105°C
Contact Resistance	40mΩ Max.
Withstanding Voltage	100V AC for 1 min.
Insulation Resistance	100MΩ Min. (500V DC)
Mating Durability	10,000 times

- RoHS compliant



For additional information please go to <https://www.hirose.com/en/product/series/CX>  
 Specifications herein are subject to change without notice.  
 Contact Hirose for latest specifications, drawings, or availabilities.

STAY CONNECTED

