



Waterproof IPX8 Standard

CX90MW6-16P Series

Waterproof Mid-Mount USB Type-C Receptacle

FEATURES:

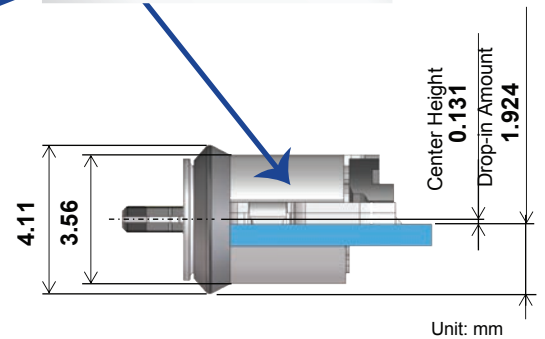
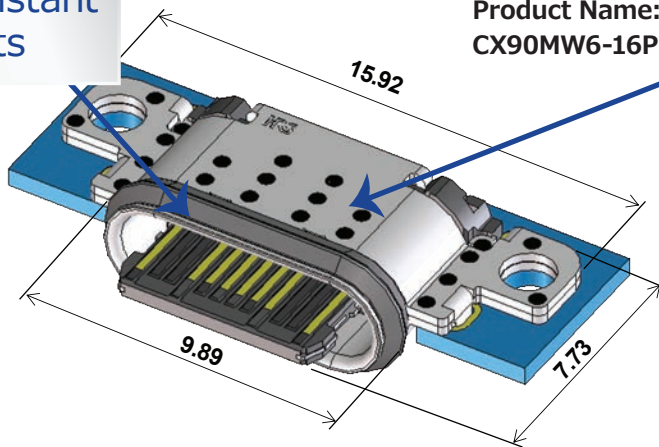
1. Waterproof USB Type-C Receptacle (IPX8*)
 2. 6A current rating for quick charging
 3. Improved Peeling Strength
 4. 480Mbps / USB2.0
 5. Robust, mid-mount design
 - Deep drawing shell
 - Screw mount design improves peeling strength
 - Plug stopper and welding between the shell and components enhance prying force
- *IPX8 waterproof (unmated) test conditions:
Immersed in 1.5 meter water depth for 30 minutes.

1. Waterproof USB Type-C Receptacle (IPX8*) - with gasket

Water-Resistant Gaskets

Dimensions:
Product Name:
CX90MW6-16P

Internal Water Resistant Potting

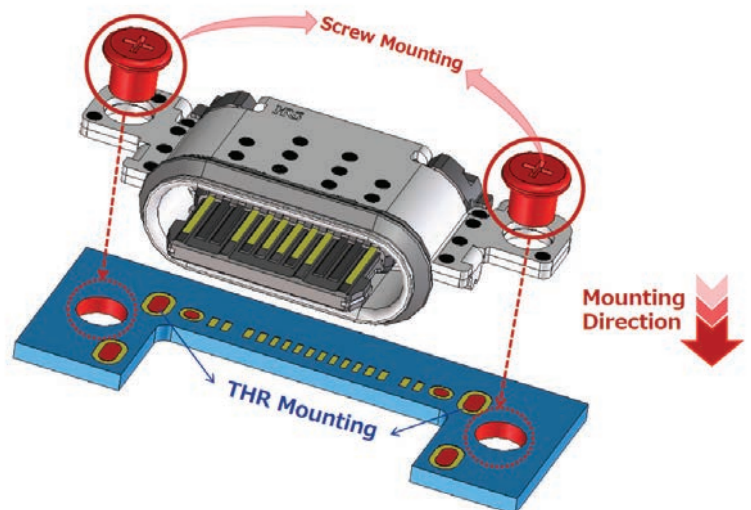


Unit: mm

3. Improved Peeling Strength

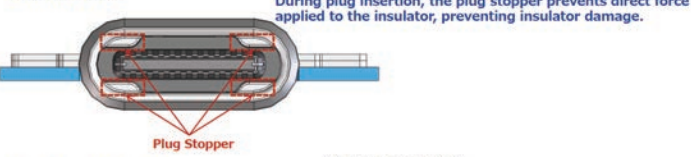
Screw Mounting and THR* Soldering Enhances Peeling Strength

*THR, also known as PIP (Pin-in-Paste) process, is a method of soldering lead parts using surface mount (SMT) process and enhances mounting efficiency.

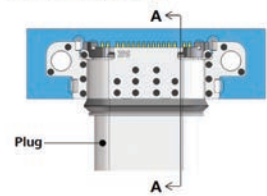


5. Robust, mid-mount design

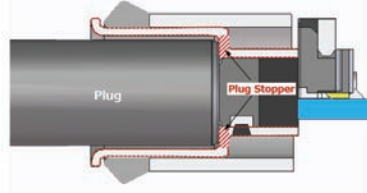
Mating Face



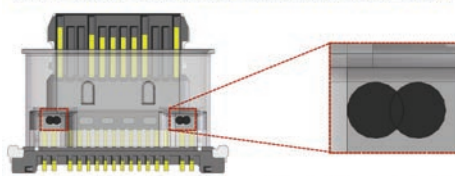
Top View (Mated)



A-A Cross-sectional View

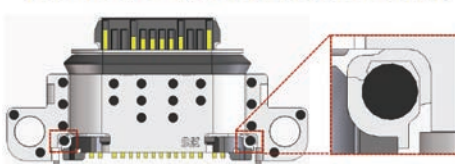


1. Assembly State 1: Insulator and Upper Shell



Welding Point 1
Firmly secured due to welding between the upper shell and insulator.

2. Assembly of 1 (Above) with the Lower Shell



Welding Point 2
Firmly secured due to welding between the upper and lower shells.

Specifications

MATERIAL AND FINISH

| Component | Material | Finish, Remarks |
|-------------------------|-----------------|----------------------------------|
| Insulator | Thermoplastic* | Black / UL94V-0 |
| Contact A | Copper Alloy | Gold Plated (Nickel Underplated) |
| Contact B | Copper Alloy | Gold Plated (Nickel Underplated) |
| Mid Plate | Stainless Steel | Nickel Plated |
| Upper Shell/Lower Shell | Stainless Steel | Nickel Plated |
| Main Shell | Stainless Steel | Washed |
| Gasket | Silicone | Gray |
| Potting | Silicone | Black |

*This product satisfies halogen free requirements defined as 900ppm maximum chlorine, 900ppm maximum bromine, and 1500ppm maximum total of chlorine and bromine.

PERFORMANCE CHARACTERISTICS

| | |
|-----------------------|---|
| Rated Current | 1.50A Max. for each power pin (i.e. A1, A4, A9, A12, B1, B4, B9, B12) 1.25A Max. for VCON (i.e. B5), 0.25A for the other pins |
| Rated Voltage | 20V AC/DC |
| Operating Temperature | -40 to +105°C |
| Contact Resistance | 40mΩ Max. |
| Withstanding Voltage | 100V AC for 1 min. |
| Insulation Resistance | 100MΩ Min. (500V DC) |
| Mating Durability | 10,000 times |

- RoHS compliant



For additional information please go to
<https://www.hirose.com/en/product/series/CX>
 Specifications herein are subject to change without notice.
 Contact Hirose for latest specifications, drawings, or availabilities.

STAY CONNECTED

