



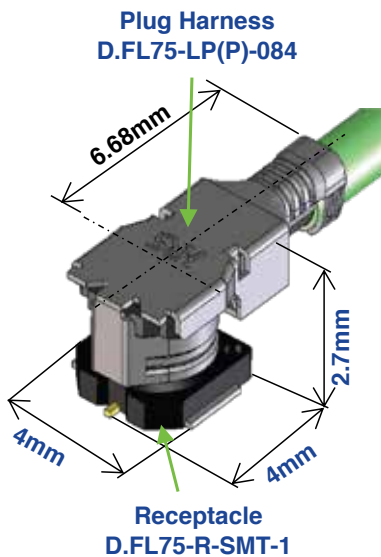
## D.FL75 Series

75Ω FL Connector Supporting 12G-SDI

### FEATURES:

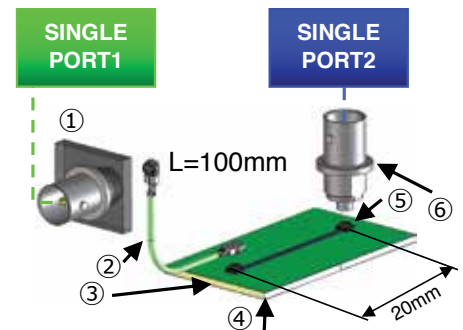
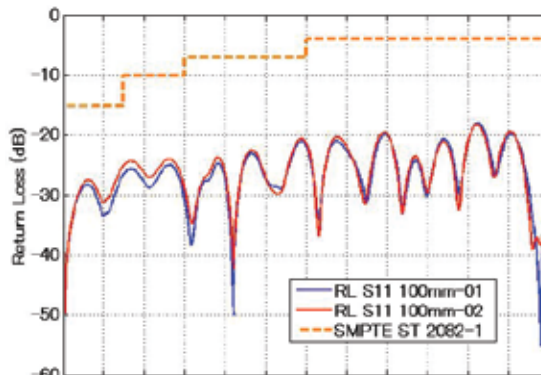
- ▶ 4K/UHD transmission connector supports internal wiring of equipment (Supports 12G-SDI standard and SMPTE ST 2082-1)
- ▶ Mated height 2.7mm (2.9mm Max.)
- ▶ Space-saving 4.0×4.0mm PCB mounting space
- ▶ SMT board connector and internal wiring simplifies design
- ▶ 75Ω Impedance, supports up to 12GHz frequency

### Small Size



### High Frequency Characteristics (Return Loss)

#### Clears 12G - SDI Standards



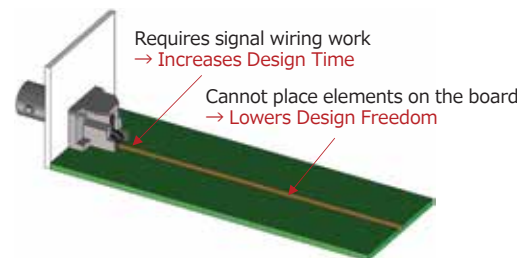
#### Measurement Conditions

- 《Port1》
- ① BNC (75)J-D.FL75J-BPA
  - ② D.FL75 (both ends) plug harness 100mm
  - ③ D.FL75-R-SMT-1
  - ④ Board
  - ⑤ D.FL75-R-SMT-1
  - ⑥ Conversion ADP 《Port2》

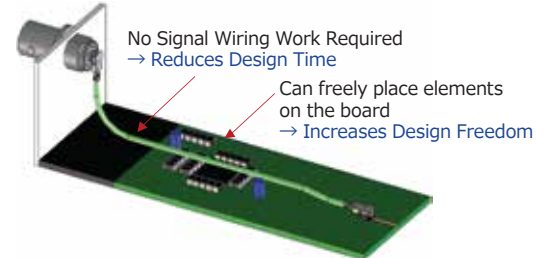
### Improve Board Design Flexibility

Greater set design flexibility by switching to D.FL75

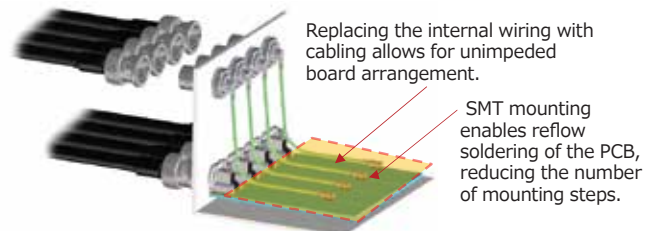
#### BNC (Traditional Board Mounting)



#### BNC (D.FL75 Connection)

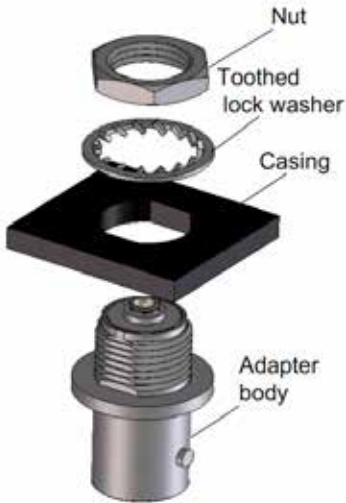


### PBC Design Flexibility

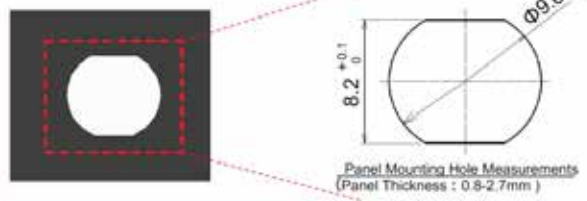


# Adapter Mounting Dimensions

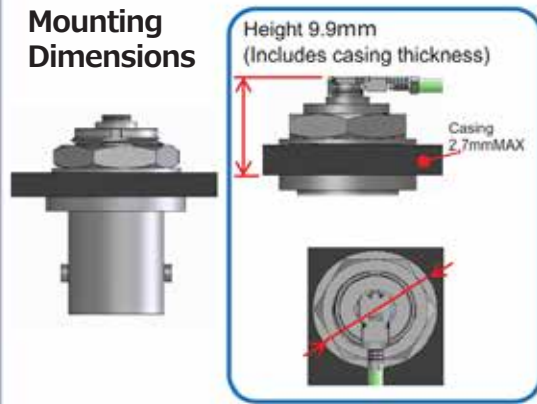
## Configuration



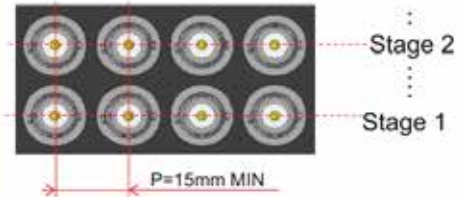
## Recommended Panel Mounting Hole Directions



## Mounting Dimensions



## Narrow Pitch, Multi-stage Arrangements



Multi-stage arrangements with narrow pitch (P=15mm) are possible on BNC's interface.

\*Please use the following extraction tool when removing the adapter:



Part No.: [D.FL75-LP-N](#)

## Specifications

### MATERIAL AND FINISH

Component		Material	Finish, Remarks
Outer shell	Receptacle	Phosphor bronze	Gold plating
	Plug	Phosphor bronze	Partial gold plating
	Adapter	Zinc alloy	Adapter: Nickel plating
Insulator	Receptacle	LCP	-
	Plug	LCP	-
	Adapter	PTFE resin	-
Center contact		Phosphor bronze	Gold plating

### PERFORMANCE CHARACTERISTICS

Characteristic Impedance	75Ω
Frequency Range	0-12GHz
Return Loss	17.7dB Min. (0-3GHz) , 13.9dB Min. (3-12GHz)
Operating Temperature Range	-40 to +105°C
Insulation Resistance	100V DC 500MΩ Min.
Withstanding Voltage	200V AC for 1 min.
Contact Resistance	Center contact:50mΩ Max., Outer contact:20mΩ Max. (measured with 10mA DC)
Durability	20 times



For additional information please go to <https://www.hirose.com/product/series/D.FL75>  
 Specifications herein are subject to change without notice.  
 Contact Hirose for latest specifications, drawings, or availabilities.

STAY CONNECTED

