



KW30 Series

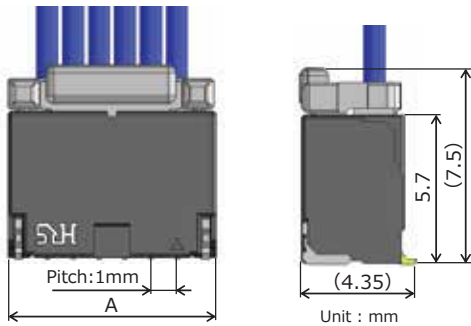
1mm Pitch, Single Row, Center Lock
 Wire-to-Board Connector

FEATURES:

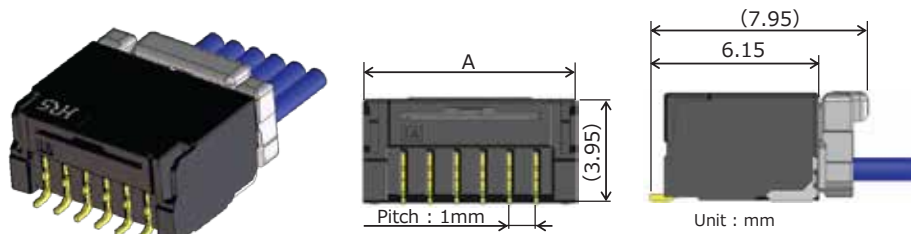
- 1mm pitch, Single Row, Center lock
- Safety design with positive lock prevents incomplete mating and mis-insertion
- Inner lock design prevents snaring and lock damage
- Wide Variations
 - Interface Types : Straight / Right angle
 - 28-32 AWG
 - Gold plated
 - Halogen-Free
- 2-point contact and deflection prevention provides enhanced reliability
- Suitable for applications that require high reliability under vibration

1. 1mm Pitch, Single Row, Center Lock

Straight Type
 Example : 6pos.



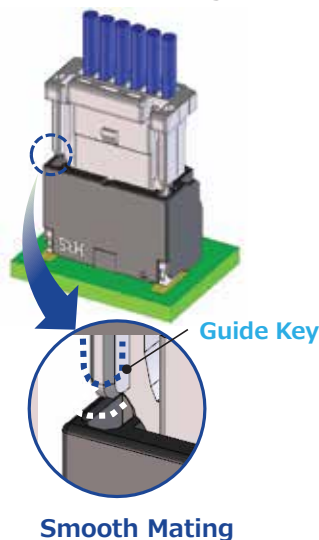
Right Angle Type
 Example : 6pos.



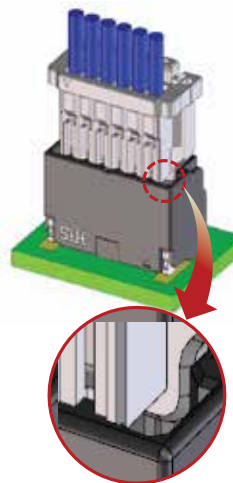
2. Prevents Incorrect Insertion

Enhanced Mating Operation & Prevents Damage Due to Incorrect Mating

Correct Mating



Reverse Mating



Inserting Incorrect Pin Count

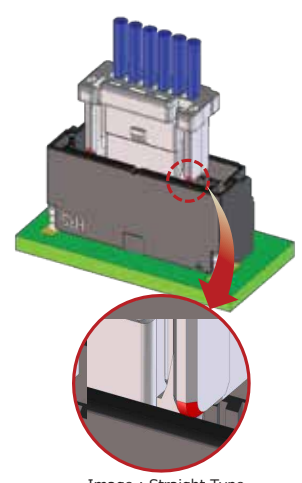


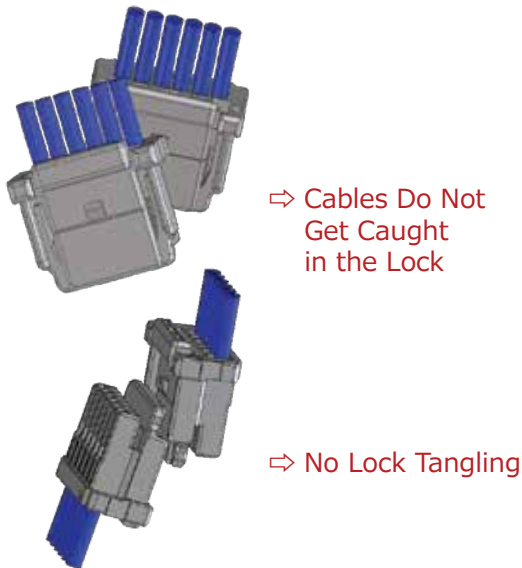
Image : Straight Type

Mis-insertion Prevention



3. Lock Damage Prevention Design

Inner Lock Type (KW30)

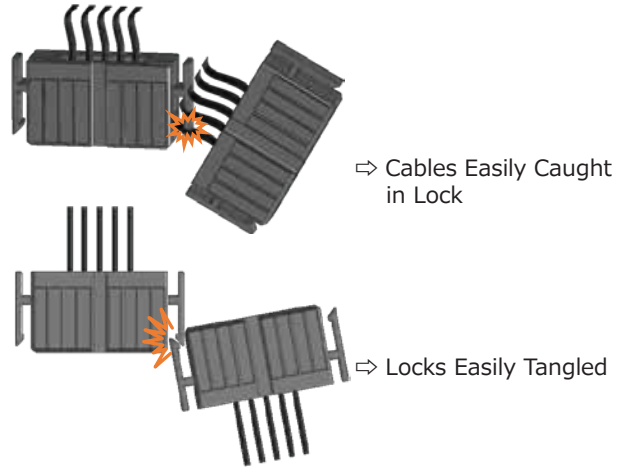


⇒ Cables Do Not Get Caught in the Lock

⇒ No Lock Tangling

Eliminates Tangle Issue

Outer Lock Type



⇒ Cables Easily Caught in Lock

⇒ Locks Easily Tangled

Lock and Cable Snaring May Cause Lock Damage

Inner Lock Design Prevents Cable Snaring and Lock Damage

Specifications

PERFORMANCE CHARACTERISTICS				
	No. of Pos. (Single Row)	28 AWG	30 AWG	32 AWG
Rated Current	2	3.0A	0.9A	0.8A
	3-15	1.0A		
Rated Voltage	100V AC/DC			
Operating Temperature	-55 to +105°C*2			
Contact Resistance	30mΩ Max.			
Withstanding Voltage	500V AC for 1 min.			
Insulation Resistance	100MΩ Min. (250V DC)			
Mating Durability	30 times			

*2 Does not include the temperature rise due to current flow.

- No. of Pos. 2, 3, 6, 8, 10, 15pos. (Mass Production), 4, 5, 7, 9, 11, 12, 13, 14pos. (Under Planning)
(2pos. Only : 2mm pitch due to removal of middle pin.)
- Applicable Cable: 28-32 AWG
- RoHS Compliant, Halogen-free



For additional information please go to <https://www.hirose.com/product/series/KW30>
 Specifications herein are subject to change without notice.
 Contact Hirose for latest specifications, drawings, or availabilities.

