



COMPACT, RUGGED,  
HIGH SPEED

## IX60G Series

The ix Industrial™ connector features a small robust design for use in industrial environments. The high-speed transmission design contributes to equipment evolution and smart manufacturing applications.

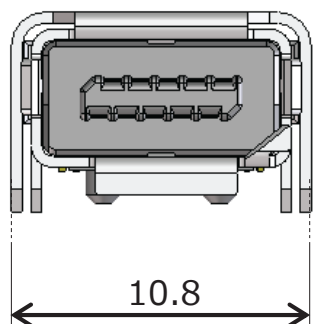
### FEATURES:

- ▶ Horizontal Right Angle Mount
- ▶ Compact: 75% smaller in size than a RJ45
- ▶ Robust: 5000 mating cycles
- ▶ High-speed Ethernet Cat5e (1Gbps) & Cat6a (10Gbps)
- ▶ High EMC resistance
- ▶ Complies with IEC PAS61076-3-124
- ▶ RoHS-compliant

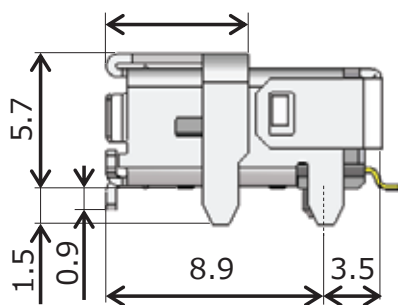
### Keying Variations

#### Right Angle

Product: IX60G-A-10P



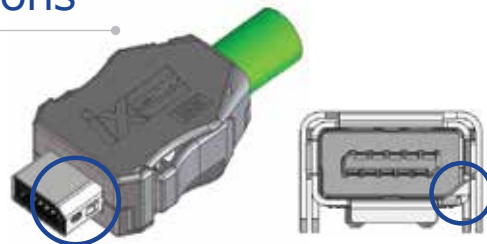
Mating side



Unit: mm

#### Type A

Ethernet  
Communication

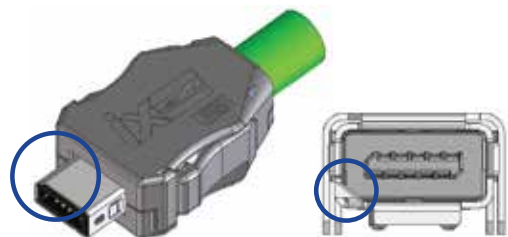


Plug

Right Angle  
Receptacle

#### Type B

Non-Ethernet  
Communication



### Performance Characteristics

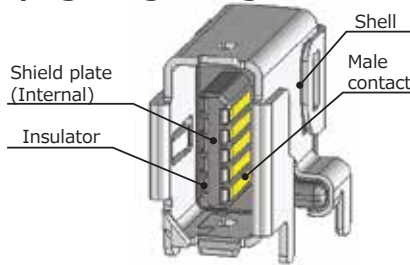
Rated Current	1.5A/pin (All pins) 3.0A/pin (Pin No. 1, 2, 6, 7)
Rated Voltage	50V AC / 60V DC
Withstanding Voltage	500V DC for 1 min.
Mating Durability	5000times
Insertion/Extraction Force	25N Max.
Vibration Resistance	10-500Hz 0.35mm 50m/s <sup>2</sup> No blackout
Heat Resistance	+85°C 500 hours when mated

# Specifications

## Components

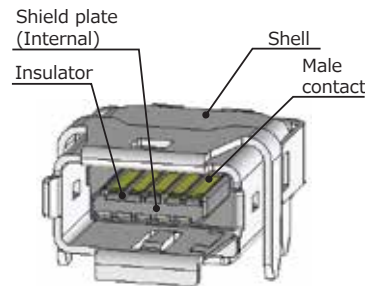
### IX61G

#### Upright right angle



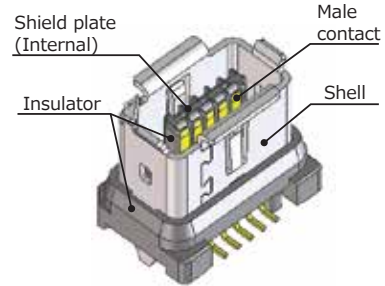
### IX60G

#### Right angle



### IX80G

#### Vertical



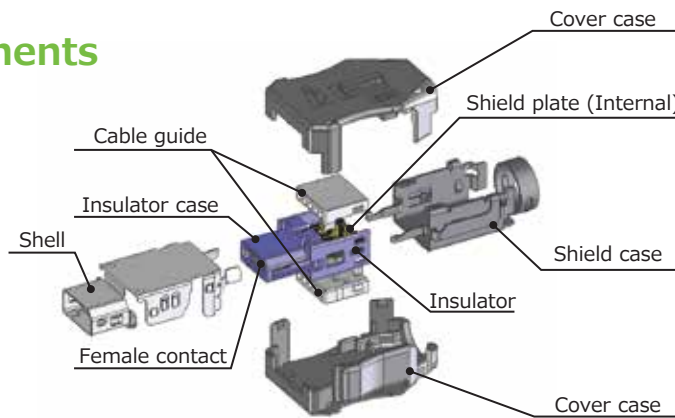
## Material and Finish

Component	Material	Finish, Remarks
Receptacle*	Male Contact	Copper alloy Gold plated (Thick plating and palladium are also available)
	Insulator	Upright right angle: LCP resin Right angle : LCP resin Vertical : Polyamide resin Gray
	Shield Plate	-
	Shell	Stainless steel Tin plate

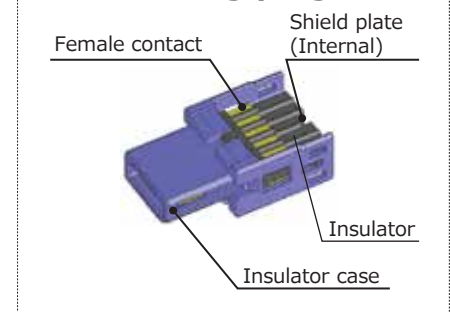
\*Embossment (PS/PE) packing

## Components

### IDC Plug



### Soldering plug unit



## Material and Finish

Component	Material	Finish, Remarks	
Plug*	Female Contact	Copper alloy Gold plated (Thick plating and palladium plating is also available)	
	Insulator	PAresin	IX40G, IX30G: Black, IX31G: Gray, IX32G: Gray
	Insulator Case		Black
	Cable Guide	PCresin	Transparent, transparent yellow, transparent blue
	Cover Case		Dark gray
	Shield Plate	-	
	Shell	Stainless steel	Nickel plated
	Shield Case		Nickel plated

\*Tray packing(PP)



For additional information please go to [www.hirose.com/product/en/pr/ix\\_industrial/](http://www.hirose.com/product/en/pr/ix_industrial/)  
 Specifications herein are subject to change without notice.  
 Contact Hirose for latest specifications, drawings, or availabilities.

STAY CONNECTED

