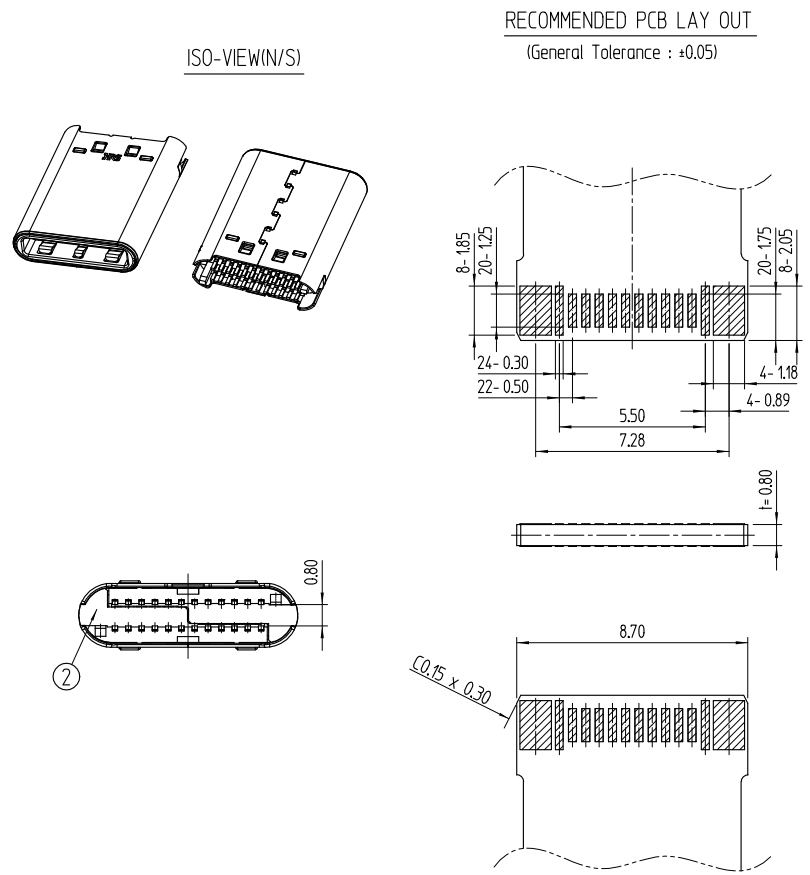


訂正事項		擔當 檢圖			年月日		訂正事項		擔當 檢圖			年月日	
△數	DESCRIPTION OF REVISIONS	B	Y	CHKD	DATE	△數	DESCRIPTION OF REVISIONS	B	Y	CHKD	DATE	DATE	
△	- Revised	PJS	LHJ		16.04.15	△	- Revised	PJS	LHJ		16.07.25		
△	- Revised	PJS	LHJ		16.05.12	△	- Revised	PJS	KHJ		16.11.11		
△	- Revised	PJS	LHJ		16.06.16	△							



[NOTE] 1 GENERAL TOLERANCE : ±0.2
2 PACKING : 150 UNIT / TRAY

3	COPPER ALLOY	Gold Plating	6	STAINLESS STEEL	Nickel		
2	LCP	UL94-V0, COLOR BLACK	5	STAINLESS STEEL	Nickel		
1	PA	UL94-V0, COLOR BLACK	4	STAINLESS STEEL	Nickel		
NO.	MATERIAL	FINISH,REMARKS	NO.	MATERIAL	FINISH,REMARKS		
REMARK			DRAWN	DESIGNED	CHECKED	APPROVED	RELEASED
			J.S.PARK	J.S.PARK	H.J.LEE	T.S.KANG	DEPT 17.09.04 ENG
			16.04.15	16.04.15	16.04.15	16.04.15	
DRAWING NO. ADC3-631979			PART NO. CX60-24S-UNIT				
SCALE 5:1			CODE NO. CL6240-0001-9			1/1	
UNITS mm			HIROSE KOREA CO.,LTD.				