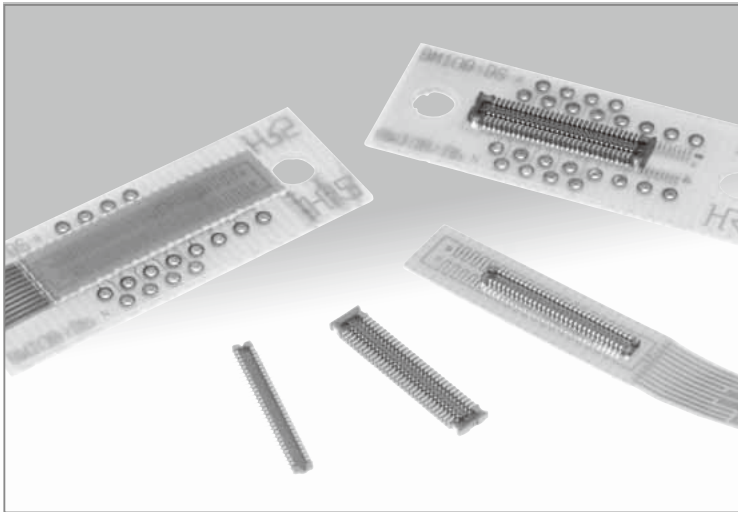


# 0.4 mm Contact Pitch, Stacking Height 0.6mm 0.8mm Board-to-Board /Board-to-FPC Connectors

## BM10 Series



### ■ Features

#### 1. Higher density of the board-mounted components

Extremely small board mounting pattern and low above-the-board profile makes the connectors ideally suited for small device applications.

Globally unrivalled compact depth: when mated  
 Header 2.46mm  
 Receptacle 2.98mm

Length - world's smallest class: 10.4mm

#### 2. Reliable electrical and mechanical connection

Despite its small mated height, unique contact configuration, with a 2-point contacts and effective mating length of 0.2mm (height 0.8mm) and 0.1mm (height 0.6mm), assures highly reliable connection while confirming a complete mating with a definite tactile feel.

#### 3. Large self-alignment distance

The connectors will self-align within 0.3 mm.

#### 4. Built-in shock absorbing feature

The protrusions and indents in the insulator bodies protect the connectors from failures when exposed to sudden impact.

#### 5. Solder wicking prevention

Nickel barriers prevent un-intentional solder wicking.

#### 6. Contamination protection

Insulator walls protect the contact areas against flux splatter or other physical particles contamination.

#### 7. Conducive traces on the PCB can run under the connector

No exposed contacts on the bottom of the connector.

### Decrease in the board-occupied area

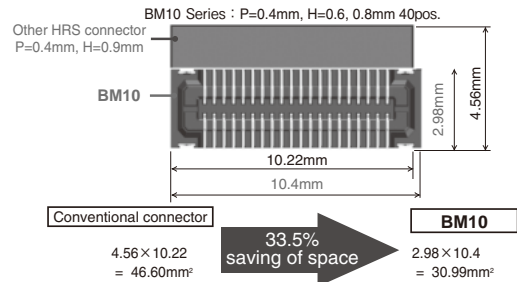


figure.1

### High contact reliability

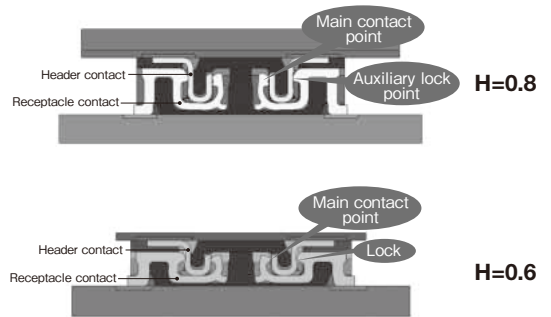
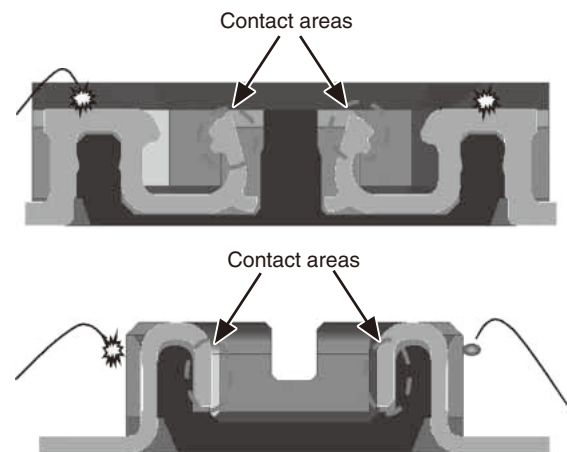


figure.2

### Splatter protection



Contact areas are not exposed to the outside penetration of the flux or other physical particles.

figure.3

## ■ Specifications

Ratings	Current rating	0.3 A	Operating temperature range	-35°C to +85°C (Note 1)	Storage temperature range	-10°C to +60°C (Note 2)
	Voltage rating	30 V AC, DC	Operating humidity range	RH 20% to 80%	Storage humidity range	RH 40% to 70% (Note 2)

Item	Specification	Conditions
1. Insulation resistance	500 MΩ min	100 V DC
2. Withstanding voltage	No flashover or insulation breakdown	100 V AC / 1minute
3. Contact resistance	100 mΩ max.	20 mV AC, 1 kHz, 1 mA
4. Vibration	No electrical discontinuity of 1 μs or longer No damage or parts dislocation	Frequency: 10 to 55 Hz, 5 min, single amplitude of 0.75 mm, 10 cycles, for each directions.
5. Humidity	Contact resistance: 100 mΩ max., Insulation resistance: 25 MΩ min.	96 hours at 40 ±2°C and humidity of 90 to 95% No damage or parts dislocation
6. Temperature cycle	Contact resistance: 100 mΩ max., Insulation resistance: 50 MΩ min. No damage or parts dislocation	-55°C → 5 to 35°C → 85°C → 5 to 35°C Time: 30 min. → 10 min. → 30 min. → 10 min. 5 cycles
7. Durability	Contact resistance: 100 mΩ max.	10 cycles
8. Resistance to soldering heat	No deformation of components affecting performance	Reflow: At the recommended temperature profile Manual soldering: 350°C for 3 seconds

Note 1: Includes temperature rise caused by current flow.

Note 2: The term "storage" here refers to products stored for a long period prior to board mounting and use.

The operating temperature and humidity range covers the non-conducting condition of connectors after board mounting and the temporary storage conditions of transportation, etc.

Note 3: Information contained in this catalog represents general requirements for this Series. Contact us for the drawings and specifications for a specific part number shown.

## ■ Material

Product	Part	Material	Finish	Remarks
Receptacle	Insulator	LCP	Color:Black	UL94V-0
Header	Contacts	Phosphor bronze	Gold plated	—

## ■ Ordering information

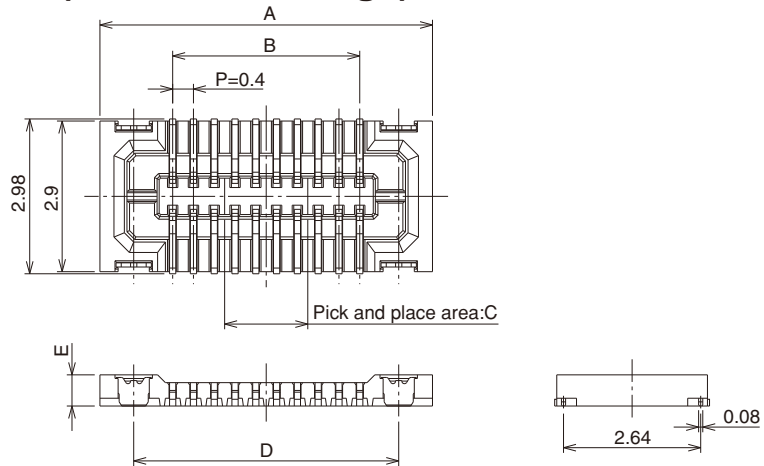
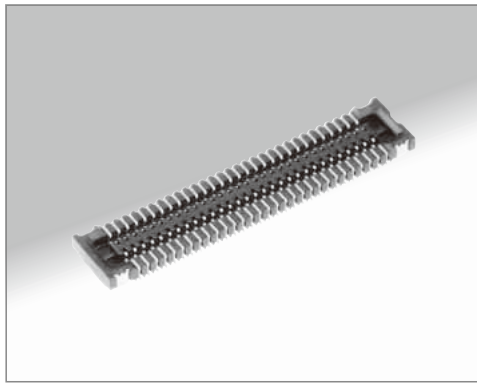
### ● Receptacles / Headers

**BM 10 # (\*\*)** - **\* DS** - **0.4 V (\*\*)**

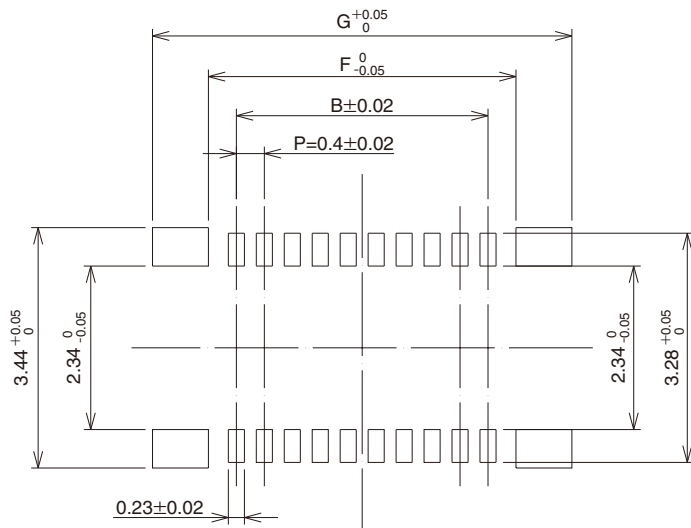
① ② ③ ④ ⑤ ⑥ ⑦ ⑧ ⑨

① Series name : BM	⑥ Connector style DS:Double-row receptacle DP:Double-row header
② Series No.: 10	
③ Configuration B:With mettal fittings NB:With mettal fittings J:Connector for conductivity tests	⑦ Contact pitch : 0.4mm
	⑧ Termination type V...SMT vertical mount
④ Stacking Height 0.6mm, 0.8mm	⑨ Packaging (51): Embossed tape packaging (8,000 pieces per reel) (53): Embossed tape packaging (1,000 pieces per reel)
⑤ Number of contacts.10 to 60	

### ■ H=0.6mm, 0.8mm Receptacles (With metal fittings)



### ■ Recommended PCB mounting pattern (H=0.6mm, 0.8mm)



All dimensions: mm

Part Number	CL No.	Number of Contacts	A	B	C	D	E	F	G
BM10NB(0.6)-10DS-0.4V(51)	684-6305-3-51	10	4.4	1.6	0.8	3.1	0.6	2.18	4.02
BM10NB(0.6)-20DS-0.4V(51)	684-6314-4-51	20	6.4	3.6	1.6	5.1	0.6	4.18	6.02
BM10NB(0.6)-24DS-0.4V(51)	684-6303-8-51	24	7.2	4.4	2	5.9	0.6	4.98	6.82
BM10NB(0.6)-30DS-0.4V(51)	684-6315-7-51	30	8.4	5.6	2	7.1	0.6	6.18	8.02
BM10NB(0.6)-34DS-0.4V(51)	Under development	34	9.2	6.4	2.4	7.9	0.6	6.98	8.82
BM10NB(0.6)-40DS-0.4V(51)	684-6317-2-51	40	10.4	7.6	2.4	9.1	0.6	8.18	10.02
BM10NB(0.6)-50DS-0.4V(51)	684-6319-8-51	50	12.4	9.6	2.8	11.1	0.6	10.18	12.02
BM10NB(0.6)-60DS-0.4V(51)	684-6301-2-51	60	14.4	11.6	3.2	13.1	0.6	12.18	14.02

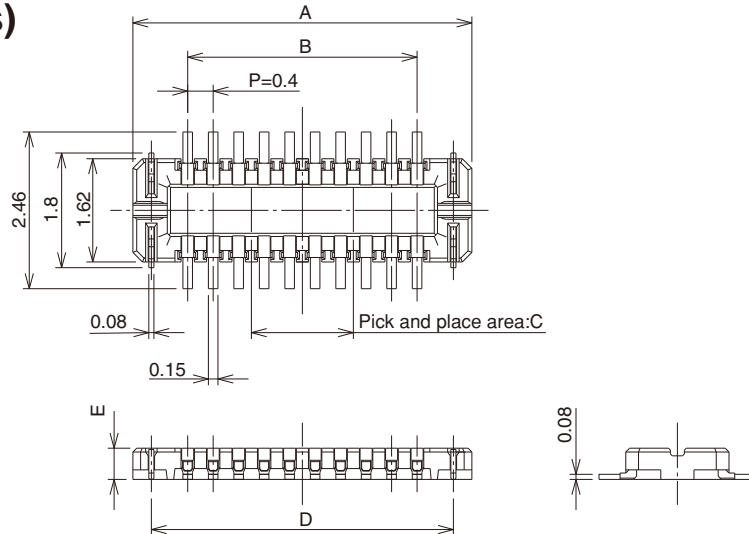
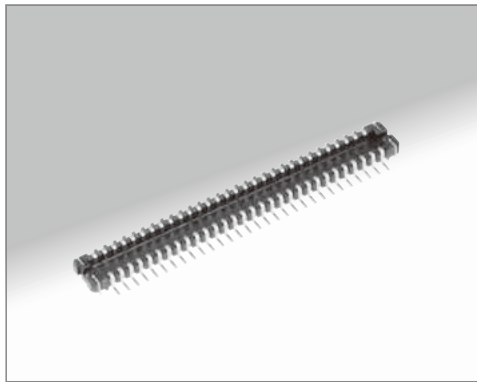
All dimensions: mm

Part Number	CL No.	Number of Contacts	A	B	C	D	E	F	G
BM10NB(0.8)-10DS-0.4V(51)	684-6100-0-51	10	4.4	1.6	0.8	3.1	0.8	2.18	4.02
BM10NB(0.8)-16DS-0.4V(51)	684-6110-4-51	16	5.6	2.8	1.6	4.3	0.6	3.38	5.22
BM10NB(0.8)-20DS-0.4V(51)	684-6105-4-51	20	6.4	3.6	1.6	5.1	0.8	4.18	6.02
BM10NB(0.8)-24DS-0.4V(51)	684-6101-3-51	24	7.2	4.4	2	5.9	0.8	4.98	6.82
BM10NB(0.8)-30DS-0.4V(51)	684-6106-7-51	30	8.4	5.6	2	7.1	0.8	6.18	8.02
BM10NB(0.8)-34DS-0.4V(51)	684-6108-2-51	34	9.2	6.4	2.4	7.9	0.8	6.98	8.82
BM10NB(0.8)-40DS-0.4V(51)	684-6107-0-51	40	10.4	7.6	2.4	9.1	0.8	8.18	10.02
BM10NB(0.8)-44DS-0.4V(51)	684-6109-5-51	44	11.2	8.4	2.8	9.9	0.8	8.98	10.82
BM10NB(0.8)-50DS-0.4V(51)	684-6102-6-51	50	12.4	9.6	2.8	11.1	0.8	10.18	12.02
BM10NB(0.8)-60DS-0.4V(51)	684-6103-9-51	60	14.4	11.6	3.2	13.1	0.8	12.18	14.02

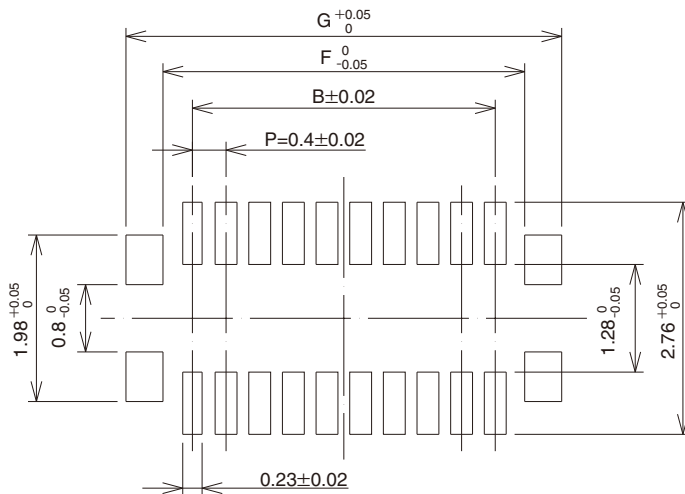
Note 1 : Order by number of reels.

Note 2 : This connector is NOT polarized.

### ■Headers (With metal fittings)



### ■Recommended metal mask dimensions



All dimensions: mm

Part Number	CL No.	Number of Contacts	A	B	C	D	E	F	G
BM10B(0.6)-10DP-0.4V(51)	684-6304-0-51	10	3.32	1.6	0.8	2.74	0.49	2.3	3.18
BM10B(0.6)-20DP-0.4V(51)	684-6313-1-51	20	5.32	3.6	1.6	4.74	0.49	4.3	5.18
BM10B(0.6)-24DP-0.4V(51)	684-6302-5-51	24	6.12	4.4	2	5.54	0.49	5.1	5.98
BM10B(0.6)-30DP-0.4V(51)	684-6307-9-51	30	7.32	5.6	2	6.74	0.49	6.3	7.18
BM10B(0.6)-34DP-0.4V(51)	Under development	34	8.12	6.4	2.4	7.54	0.49	7.1	7.98
BM10B(0.6)-40DP-0.4V(51)	684-6316-0-51	40	9.32	7.6	2.4	8.74	0.49	8.3	9.18
BM10B(0.6)-50DP-0.4V(51)	684-6309-4-51	50	11.32	9.6	2.8	10.74	0.49	10.3	11.18
BM10B(0.6)-60DP-0.4V(51)	684-6300-0-51	60	13.32	11.6	3.2	12.74	0.49	12.3	13.18

All dimensions: mm

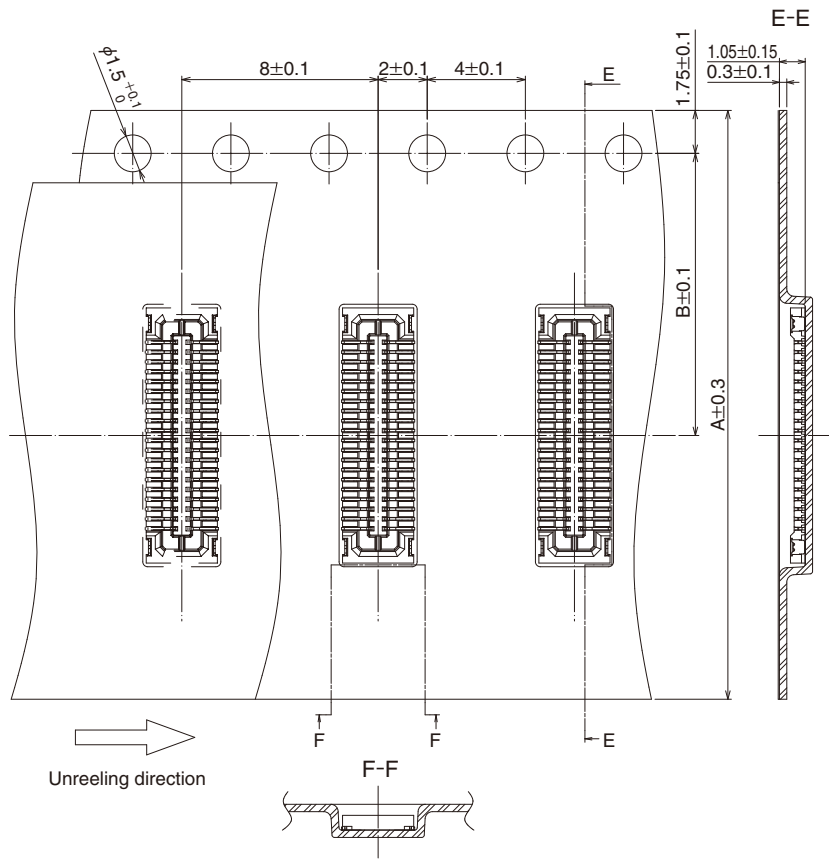
Part Number	CL No.	Number of Contacts	A	B	C	D	E	F	G
BM10B(0.8)-10DP-0.4V(51)	684-6007-5-51	10	3.32	1.6	0.8	2.74	0.63	2.3	3.18
BM10B(0.8)-16DP-0.4V(51)	684-6047-0-51	16	4.52	2.8	1.6	3.94	0.63	3.5	4.38
BM10B(0.8)-20DP-0.4V(51)	684-6009-0-51	20	5.32	3.6	1.6	4.74	0.63	4.3	5.18
BM10B(0.8)-24DP-0.4V(51)	684-6011-2-51	24	6.12	4.4	2	5.54	0.63	5.1	5.98
BM10B(0.8)-30DP-0.4V(51)	684-6013-8-51	30	7.32	5.6	2	6.74	0.63	6.3	7.18
BM10B(0.8)-34DP-0.4V(51)	684-6015-3-51	34	8.12	6.4	2.4	7.54	0.63	7.1	7.98
BM10B(0.8)-40DP-0.4V(51)	684-6003-4-51	40	9.32	7.6	2.4	8.74	0.63	8.3	9.18
BM10B(0.8)-44DP-0.4V(51)	684-6039-1-51	44	10.12	8.4	2.8	9.54	0.63	9.1	9.98
BM10B(0.8)-50DP-0.4V(51)	684-6017-9-51	50	11.32	9.6	2.8	10.74	0.63	10.3	11.18
BM10B(0.8)-60DP-0.4V(51)	684-6001-9-51	60	13.32	11.6	3.2	12.74	0.63	12.3	13.18

Note 1 : Order by number of reels.

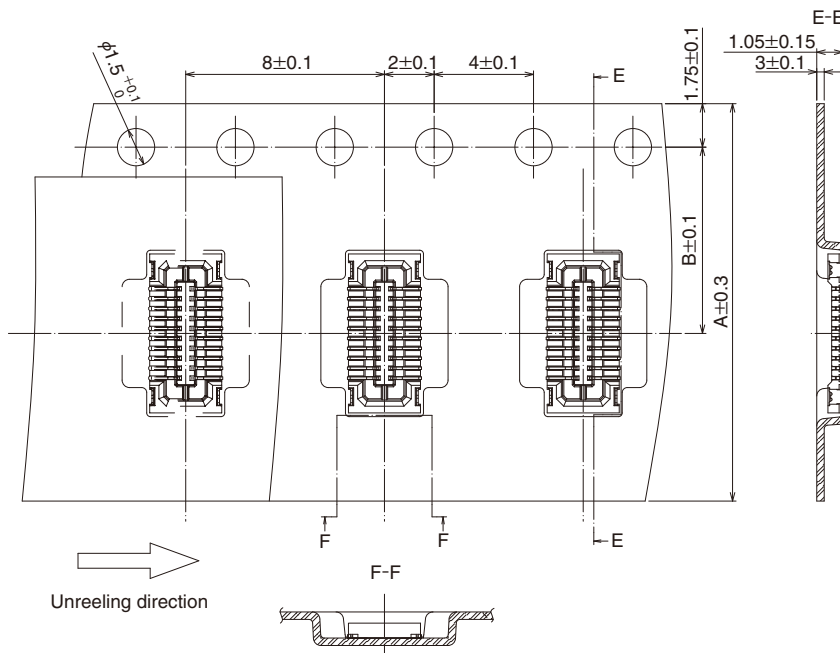
Note 2 : This connector is NOT polarized.

## ■ Embossed Carrier Tape Dimensions (H=0.6mm,0.8mm)

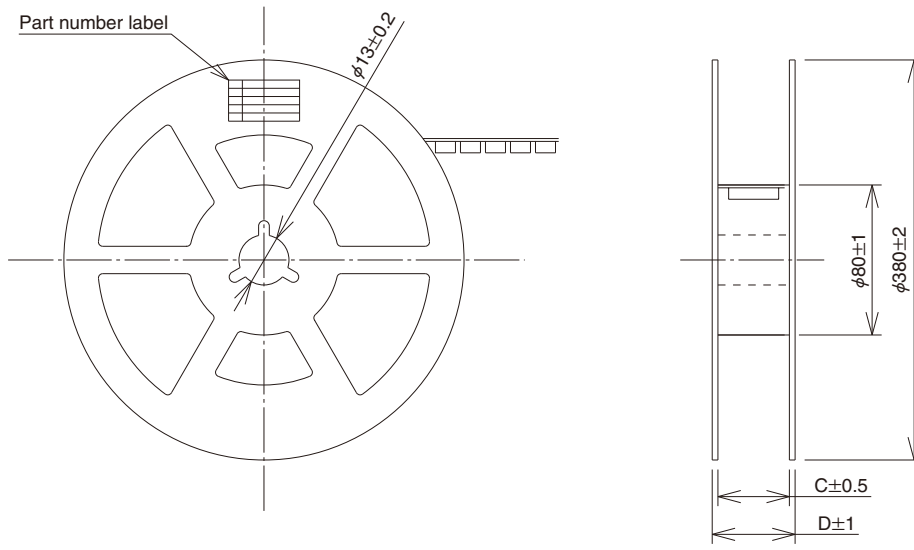
### ● Receptacle (24 and above positions)



### ● Receptacle (less than 24 positions)



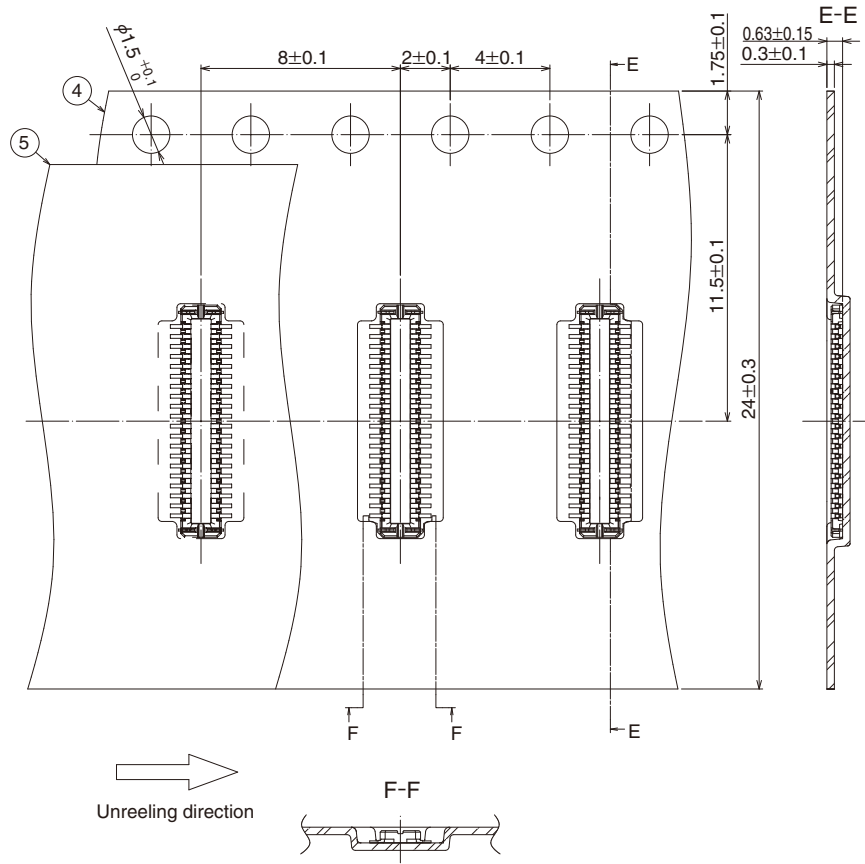
## ■ Reel dimensions (Receptacles)



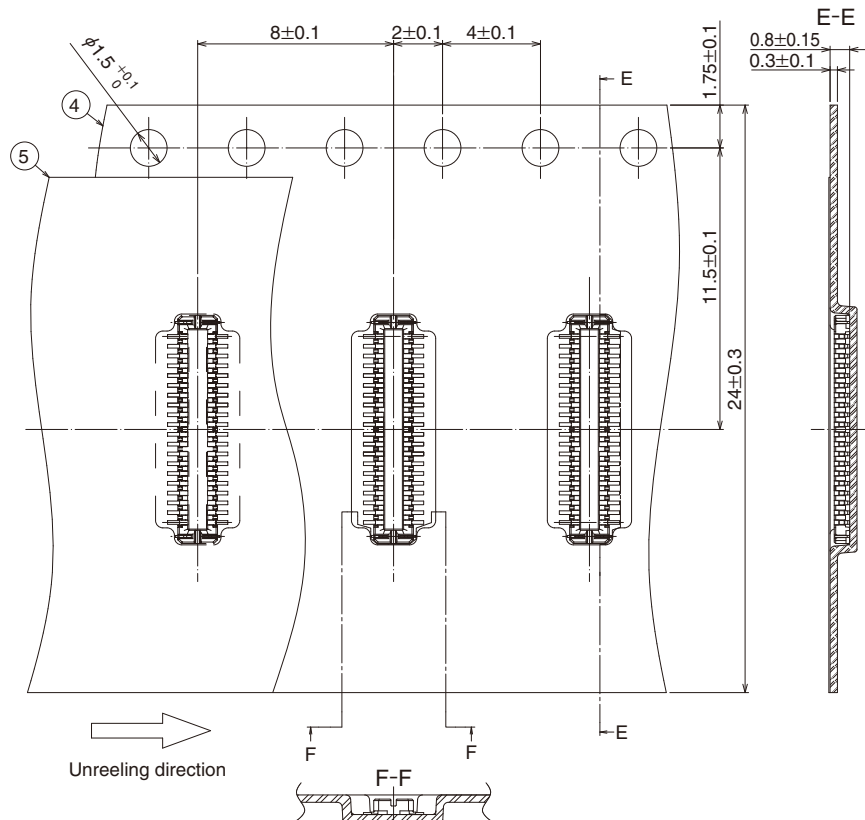
Unit : mm

Part Number	A	B	C	D
BM10#(**)-10DS-0.4V(51)	16	7.5	17.5	21.5
BM10#(**)-16DS-0.4V(51)	16	7.5	17.5	21.5
BM10#(**)-20DS-0.4V(51)	16	7.5	17.5	21.5
BM10#(**)-24DS-0.4V(51)	16	7.5	17.5	21.5
BM10#(**)-30DS-0.4V(51)	24	11.5	25.5	29.5
BM10#(**)-34DS-0.4V(51)	24	11.5	25.5	29.5
BM10#(**)-40DS-0.4V(51)	24	11.5	25.5	29.5
BM10#(**)-44DS-0.4V(51)	24	11.5	25.5	29.5
BM10#(**)-50DS-0.4V(51)	24	11.5	25.5	29.5
BM10#(**)-60DS-0.4V(51)	24	11.5	25.5	29.5

●H=0.6mm header

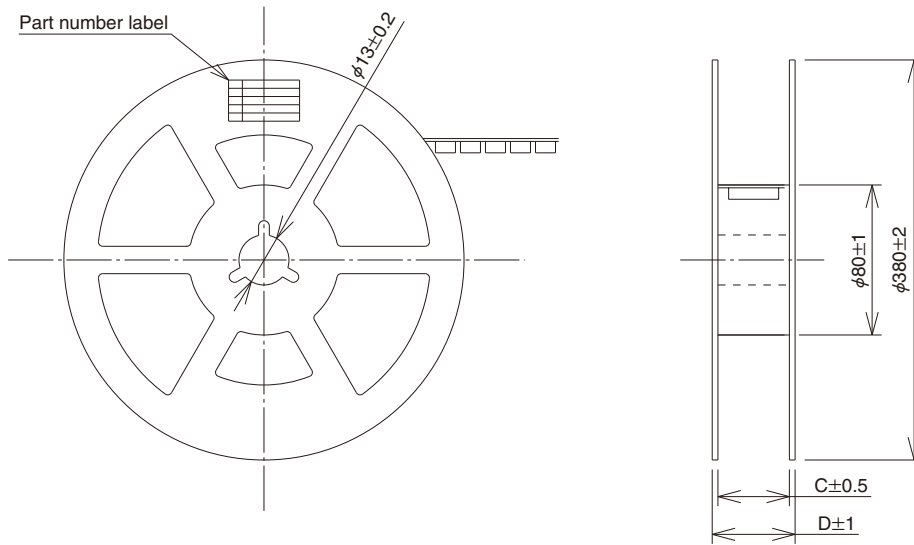


●H=0.8mm header



Jun.1.2020 Copyright 2020 HIROSE ELECTRIC CO., LTD. All Rights Reserved.

## ■ Reel dimensions (Header)

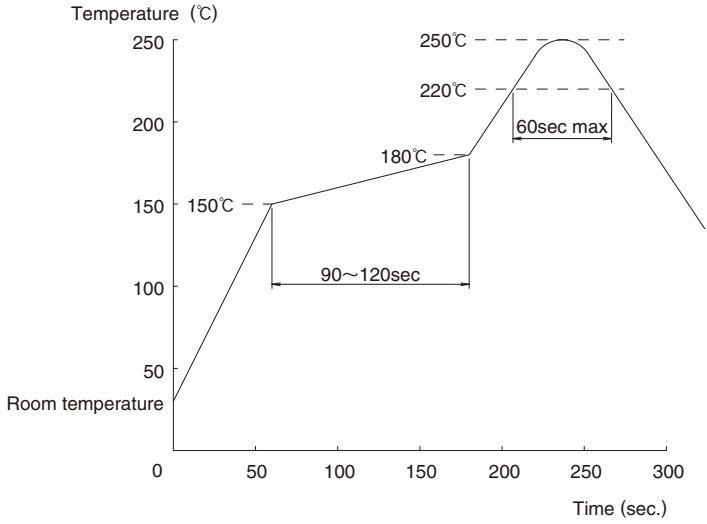


Unit : mm

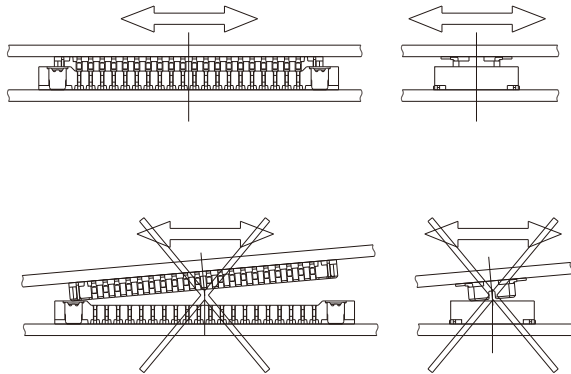
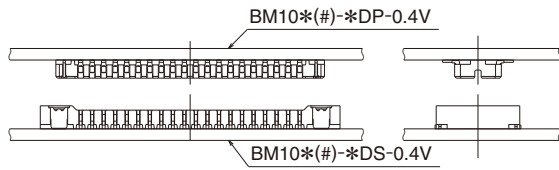
Part Number	A	B	C	D
BM10#(**)-10DP-0.4V(51)	12	5.5	13.5	17.5
BM10#(**)-16DP-0.4V(51)	16	7.5	17.5	21.5
BM10#(**)-20DP-0.4V(51)	16	7.5	17.5	21.5
BM10#(**)-24DP-0.4V(51)	16	7.5	17.5	21.5
BM10#(**)-30DP-0.4V(51)	16	7.5	17.5	21.5
BM10#(**)-34DP-0.4V(51)	16	7.5	17.5	21.5
BM10#(**)-40DP-0.4V(51)	24	11.5	25.5	29.5
BM10#(**)-44DP-0.4V(51)	24	11.5	25.5	29.5
BM10#(**)-50DP-0.4V(51)	24	11.5	25.5	29.5
BM10#(**)-60DP-0.4V(51)	24	11.5	25.5	29.5



## ■ Usage Recommendations

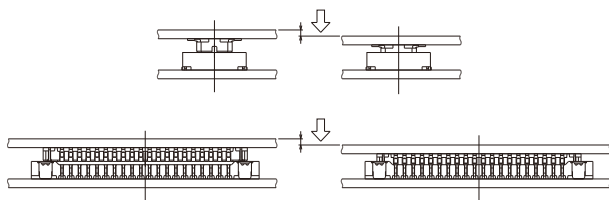
<p>1.Recommended temperature profile</p>	 <p>Note 1: Up to 2 cycles of Reflow soldering are possible under the same conditions, provided that there is a return to normal temperature between the first and second cycle.</p> <p>Note 2: The temperature profile indicates the board surface temperature at the point of contacts with the connector terminals.</p>
<p>2.Recommended manual soldering</p>	<p>Manual soldering: 340±10°C for 3 seconds</p>
<p>3.Recommended screen thickness and open area ratio (Pattern area ratio)</p>	<p>H=0.8mm Header, Receptacle :Thickness 0.12mm :Open area ratio 100%</p> <p>* When using nitrogen-reflow, 75% only at the header side.</p> <p>H=0.6mm Header Thickness 0.1mm Receptacle 0.12mm:Open area ratio 100%</p> <p>* When using nitrogen-reflow, 75% only at the header side.</p>
<p>4.Board warpage</p>	<p>Maximum of 0.02 mm at the connector center, with both ends of the connector as reference points.</p>
<p>5.Cleaning conditions</p>	<p>Refer to “Nylon Connector Use Handbook”.</p>
<p>6.Precautions</p>	<ul style="list-style-type: none"> <li>■ Mating and un-mating of the connectors when not soldered on the boards is not recommended as this may cause deformation of the terminals, damage to the contacts or insulators.</li> <li>■ Mated connectors should not carry weight of the board by themselves. Provide some other support of the boards.</li> <li>■ When mating/un-mating do not twist or lift by the corners. Apply the forces evenly across the entire length and width of the connectors taking care NOT to damage or deform soldered terminations.</li> <li>■ Exercise extreme caution when mating/ un-mating when the connector is mounted on a nonrigid (flexible) substrate. Slight discoloration on the insulating materials will not affect form, fit or function of the connectors.</li> <li>■ Do NOT pull on the flexible substrate.</li> </ul>

## ■ Handling Precautions when Mating Connectors



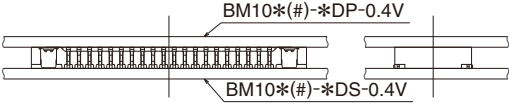
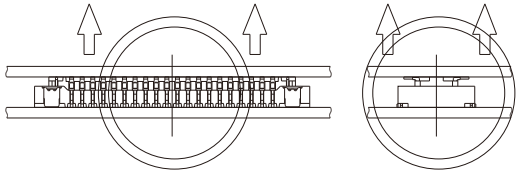
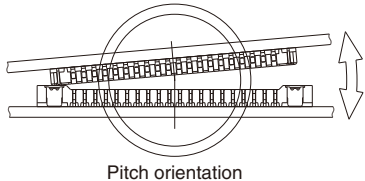
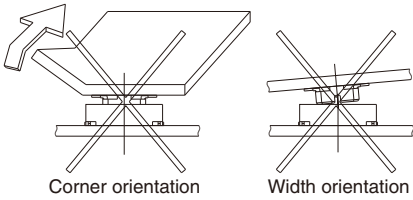
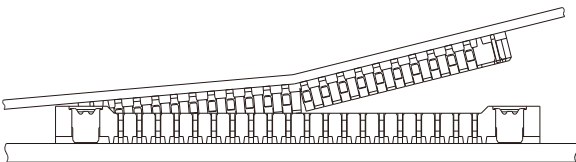
Keep the connectors parallel to each other when positioning. The connectors will self-align in horizontal directions.

Do not attempt to mate the connectors starting at one end or side.



Press-down even until fully mated.

## ■ Handling Precautions When Un-mating Connectors

	<p>Fully mated</p>
	<p>Lift even, keeping both connectors parallel to each other</p>
 <p>Pitch orientation</p>	<p>When handling, circumstances may prevent the connectors from being kept parallel when un-mating. One end may be lifted as shown. However, to use this procedure the connector must be mounted on sufficiently rigid circuit board. Any deflection of the board during this operation may result in damage to the connector or solder joints.</p>
 <p>Corner orientation      Width orientation</p>	<p>Do not attempt to start the un-mating of the connectors from one side or corner. Failure to exercise caution when un-mating the connectors mounted on the non-rigid FPC may also result in connector breakage. It is the responsibility of the user to perform verification of the repeated mating / un-mating cycles with the connectors mounted on the applicable FPC.</p>
	<p>When the rigidity of the FPC is low, there is a risk that the connector could break as illustrated in the diagram at left. Please use the connectors after performing a check of repeated operation with the FPC that the customer will be using. Evaluative results of FPC rigidity and various items are available. Please inquire.</p>

Jun.1.2020 Copyright 2020 HIROSE ELECTRIC CO., LTD. All Rights Reserved.

**USA:**

**HIROSE ELECTRIC (U.S.A.), INC. Headquarters**

2688 Westhills Court, Simi Valley, CA 93065-6235  
Phone : 1-805-522-7958  
Fax : 1-805-522-3217  
<http://www.hiroseusa.com>

**USA:**

**HIROSE ELECTRIC (U.S.A.), INC. North California Office**

20400 Stevens Creek Blvd., Ste 250, Cupertino, CA 95014  
Phone : 1-408-253-9640  
Fax : 1-408-253-9641  
<http://www.hiroseusa.com>

**USA:**

**HIROSE ELECTRIC (U.S.A.), INC. Detroit Office (Automotive)**

37677 Professional Center Drive, Suite #100C Livonia, MI 48154  
Phone : 1-734-542-9963  
Fax : 1-734-542-9964  
<http://www.hiroseusa.com>

**GERMANY:**

**HIROSE ELECTRIC EUROPE B.V. GERMAN BRANCH**

Herzog-Carl-Strasse 4 D-73760 Ostfildern (Scharnhäuser Park)  
Phone : 49-711-4560-02-1  
Fax : 49-711-4560-02-299  
<http://www.hirose.de>

**THE NETHERLANDS:**

**HIROSE ELECTRIC EUROPE B.V.**

Hogehillweg #8 1101 CC Amsterdam Z-0  
Phone : 31-20-6557460  
Fax : 31-20-6557469  
<http://www.hiroseeurope.com>

**UK:**

**HIROSE ELECTRIC EUROPE B.V. UK BRANCH**

First Floor, St Andrews House, Caldecotte Lake Business Park, Milton Keynes MK7 8LE  
Phone : 44-1908-369060  
Fax : 44-1908-369078  
<http://www.hirose.co.uk>

**CHINA:**

**HIROSE ELECTRIC CO., LTD. BEIJING REPRESENTATIVE OFFICE**

A1001, Ocean International Center, Building 56# East 4th Ring Middle Road, Chao Yang District, Beijing, 100025  
Phone : 86-10-5165-9332  
Fax : 86-10-5908-1381  
<http://www.hirose-china.com.cn>

**CHINA:**

**HIROSE ELECTRIC (SHANGHAI) CO., LTD.**

1501-02, Cross Tower Building, 318 Fuzhou Road, Huang Pu District, Shanghai 200001  
Phone : 86-21-6391-3355  
Fax : 86-21-6335-0767  
<http://www.hirose-china.com.cn>

**CHINA:**

**HIROSE ELECTRIC CO., LTD. SHENZHEN OFFICE**

Room 09-13, 19/F, Office Tower Shun Hing Square, Di Wang Commercial Centre 5002, ShenNanDong Road, ShenZhen City, Guangdong Province, 518008  
Phone : 86-755-8207-0851  
Fax : 86-755-8207-0873  
<http://www.hirose-china.com.cn>

**HONG KONG:**

**HIROSE ELECTRIC HONGKONG TRADING CO., LTD.**

Unit 1102 A&B, Energy Plaza, 92 Granville Road, Tsim Sha Tsui East, Kowloon  
Phone : 852-2803-5338  
Fax : 852-2591-6560  
<http://www.hirose-hongkong.com.hk>

**TAIWAN:**

**HIROSE ELECTRIC TAIWAN CO., LTD.**

103 8F, No.87, Zhengzhou Rd., Taipei  
Phone : 886-2-2555-7377  
Fax : 886-2-2555-7350  
<http://www.hirose-taiwan.com.tw>

**SINGAPORE:**

**HIROSE ELECTRIC CO., LTD.**

10 Anson Road #26-16 International Plaza 079903  
Phone : 65-6324-6113  
Fax : 65-6324-6123  
<http://www.hirose-singapore.com.sg>

**KOREA:**

**HIROSE KOREA CO., LTD.**

1261-10, Jeoungwhang-Dong, Shihung-City, Kyunggi-Do 429-450  
Phone : 82-31-496-7000,7124  
Fax : 82-31-496-7100  
<http://www.hirose.co.kr>



---

## HIROSE ELECTRIC CO.,LTD.

5-23,OSAKI 5-CHOME,SHINAGAWA-KU,TOKYO 141-8587,JAPAN  
PHONE: 81-3-3491-5300, FAX: 81-3-3495-5230  
<http://www.hirose.com>  
<http://www.hirose-connectors.com>

---