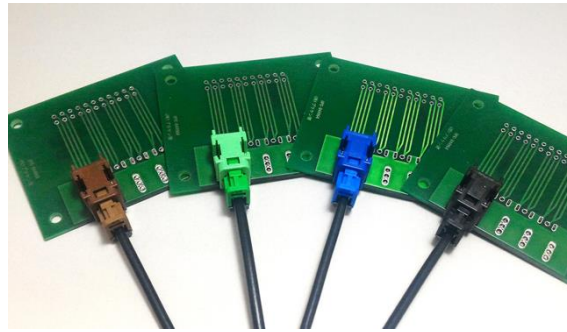




GT36S Series

MKT-E-16011F

Space Saving Automotive Antenna RF Connector



◆ Features

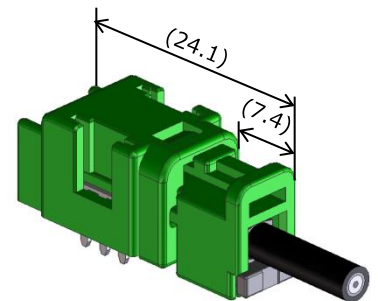
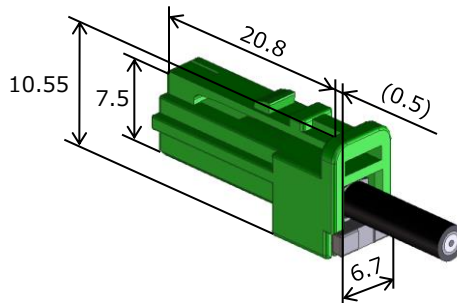
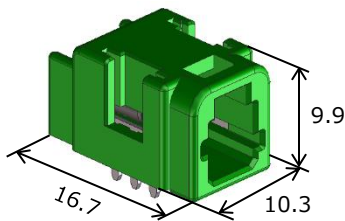
1. Compact design saves space
2. One-step crimp termination provides consistent assembly and reduces the processing time
3. Excellent high frequency performance up to 3GHz
4. Satisfies severe automotive requirements
5. Applicable cable : 1.5D cable equivalent
6. RoHS、ELV compliant

◆ Dimensions

-Receptacle
GT36S-1P-DS

-Plug
GT36S-1S-HU (Retainer : GT36S-1S-R)

-Mated Plug & Receptacle

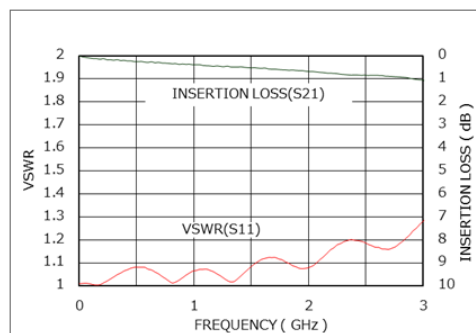
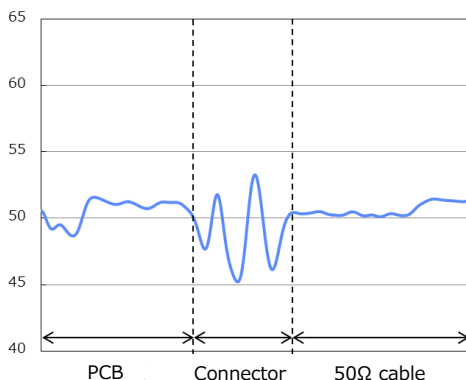


◆ High Frequency Performance

◆ Specifications

-Characteristic Impedance ($50 \pm 10 \Omega$)
Frequency : 3GHz equivalent

-High frequency performance
V.S.W.R. : 1.5 MAX.



Rated Current	1A
Rated Voltage	50V DC
Withstanding Voltage	500V AC for 1 minute
Insulation Resistance	100MΩ MIN. (500V DC)
Operation Temperature	-40°C to +105°C*
Durability	30 times

*Including the temperature rising by current flow.

Specifications herein are subject to change without notice. Contact Hirose for the latest specifications, drawings, and availabilities.