



**Features**

- 1 Low profile RF connector (Mated height: 14mm)
- 2 Meets severe automotive requirements
- 3 Minimized mating failure with clear tactile click
- 4 +0.4mm floating range
- 5 Excellent high frequency performance - V.S.W.R.: 1.5 Max. (0 to 3GHz)
- 6 Pick & place mounting
- 7 Suitable for Automotive applications such as Infotainment, Telematics, Camera and Antenna



RF

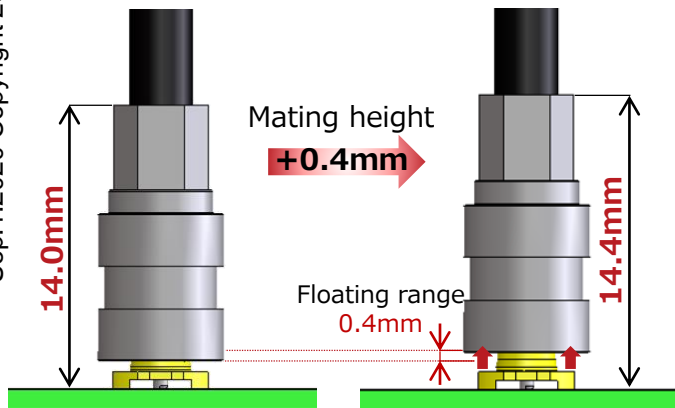


Floating

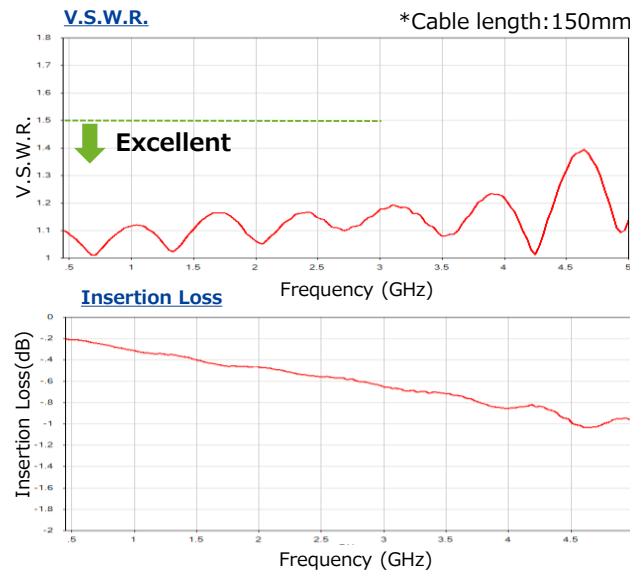


Automotive

**Floating Design**



**High Frequency Performance**



**Specifications**

Operating Temperature Range	-40 to +105°C*
Characteristic Impedance	50Ω (0 to 3GHz)
V.S.W.R.	1.5 Max. (0 to 3GHz)
Durability	30 times
Contact Resistance	Inner/Outer contact 30mΩ Max. at 1mA AC
Withstanding Voltage	500V AC for 1 min.
Insulation Resistance	100MΩ min. (500V DC)
Shock	980m/s <sup>2</sup> , 6ms pulse duration 10 times in 3 axials and both directions.

\*Includes the temperature rise by current flow

- Applicable cable: 1.5DS (Outer diameter : ø3.0)