



TM41 Series

IP67, Weather Resistant RJ-45 LAN Connector Hood

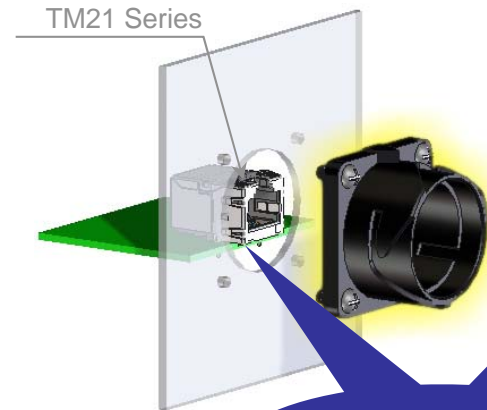
◆ Features

1. IP67, weather resistant hood of RJ-45 LAN connector for outdoor use
2. Applicable to board mount RJ-45 jack
3. Absorbs assembly tolerance up to ± 1 mm
4. Dual-lock prevents mis-mating/unmating
5. High cable clamp strength
6. RoHS compliant



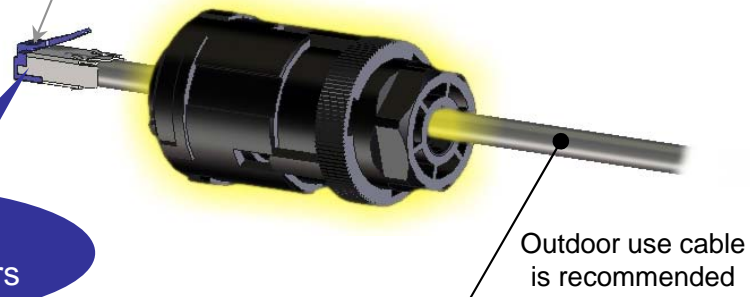
◆ Provides Additional IP67 & Weather Resistant Features to Conventional RJ-45 LAN Connectors

Ex: Hirose's
TM21 Series



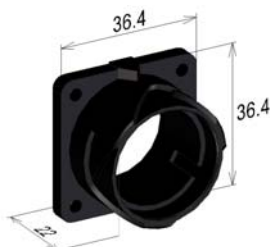
- IP67 water resistance
- Weather resistant plastic for outdoor use
- Robust bayonet lock

Ex: Hirose's
TM21 Series



◆ Dimensions/Specifications

Receptacle Side



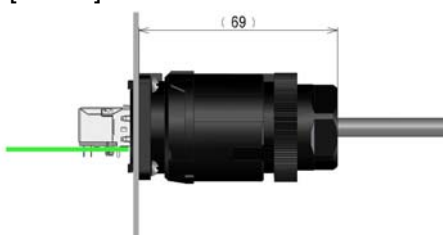
Plug Side



Water Sealing Cap
(Receptacle Side)



[Mated]



Receptacle Side	TM41W-R
Plug Side	TM41W-P
Water Sealing Cap (Receptacle side)	HR41-25WBR-C

Operating Temperature Range	-40 °C to + 85 °C (includes temperature rise by current carrying)
Durability	100 times (bayonet lock portion)
IP Code	IP67
Applicable Cable	$\phi 6.8 \pm 0.2$ mm

Specifications herein are subject to change without notice. Contact Hirose for latest specifications, drawings or availabilities.