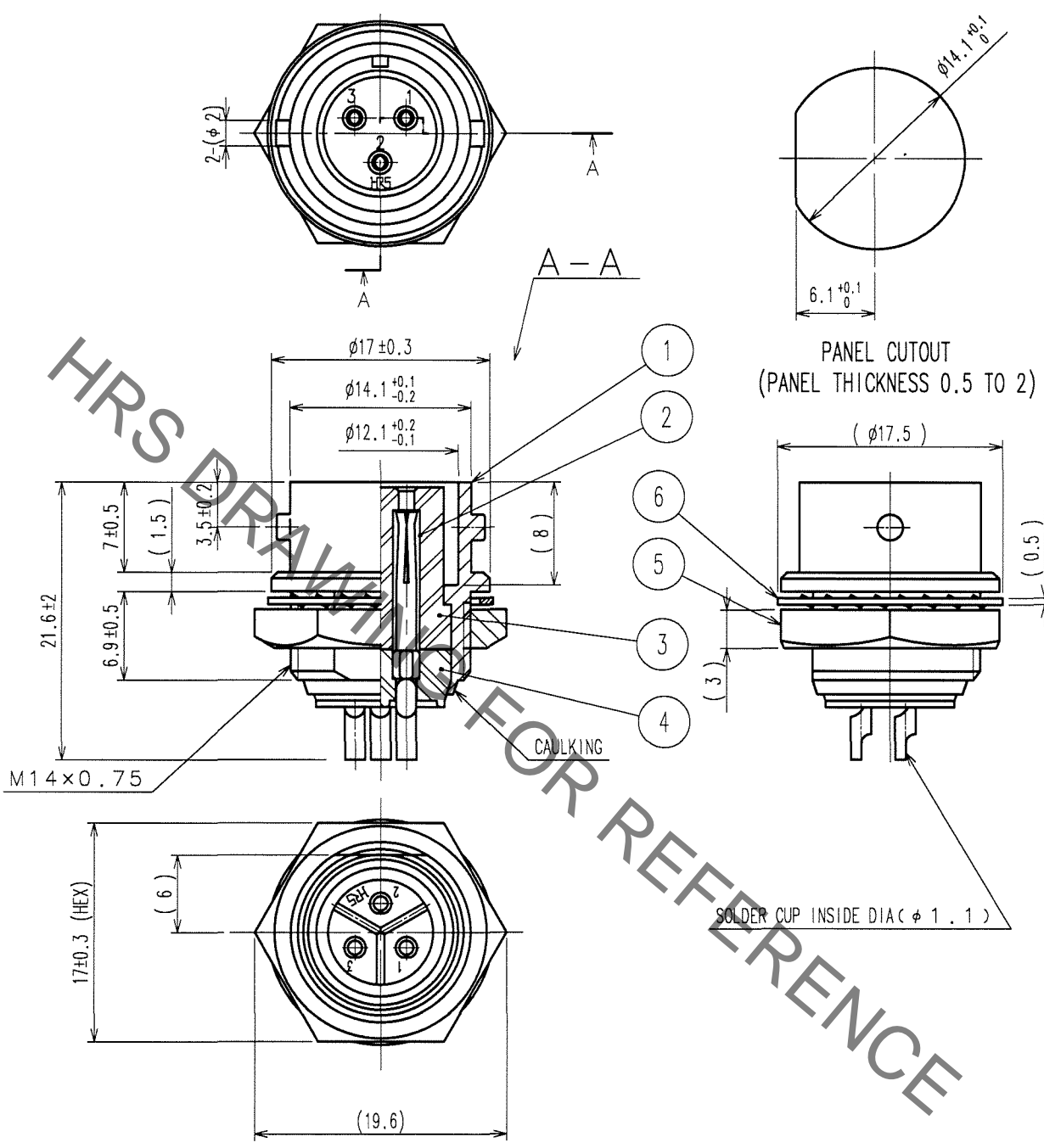


Sep.1.2020 Copyright 2020 HIROSE ELECTRIC CO., LTD. All Rights Reserved.
Increase of consideration for using Automotive equipment / device which demand high reliability, kindly contact our sales window correspondents.

1					2					3					4				
COUNT	DESCRIPTION OF REVISIONS				BY	CHKD	DATE	COUNT	DESCRIPTION OF REVISIONS				BY	CHKD	DATE				
△								△											
△								△											
△								△											



NOTE: ① THE RECOMMENDED CLAMP TORQUE OF REE .NO⑤: 2N · m

3	DIALYL PHTHALATE	(BLACK) UL94V-0	6	PHOSPHOR BRONZE	NICKEL PLATING
2	COPPER ALLOY	SILVER PLATING 5μ m min.	5	BRASS	NICKEL PLATING
1	ZINC ALLOY	MATTE FINISH NICKEL PLATING	4	DIALYL PHTHALATE	(BLACK) UL94V-0
NO.	MATERIAL	FINISH, REMARKS	NO.	MATERIAL	FINISH, REMARKS

CODE NO. (OLD)	CL	DRAWN	DESIGNED	CHECKED	APPROVED	RELEASED
		<i>Y. Yamada</i>	<i>Y. Yamada</i>	<i>H. Zemba</i>	<i>M. Sato</i>	
		05.09.03	05.09.03	05.09.06	05.09.06	

 SCALE 2 : 1 UNITS mm	DRAWING NO.	PART NO.
	EDC4-006763-71	RM12BRD-3S(71)
	 HIROSE ELECTRIC CO., LTD.	CODE NO. CL109-0610-7-71

TO
R