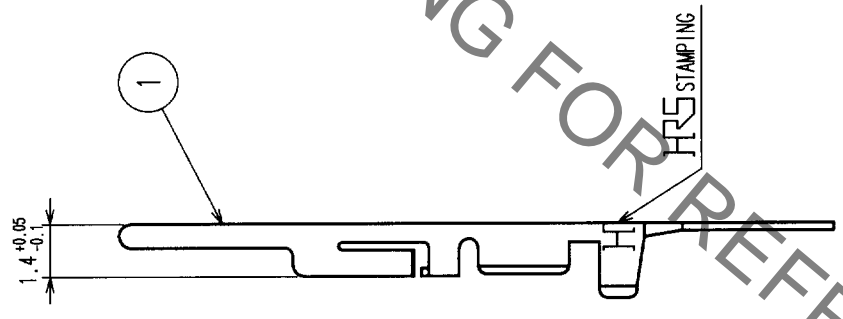
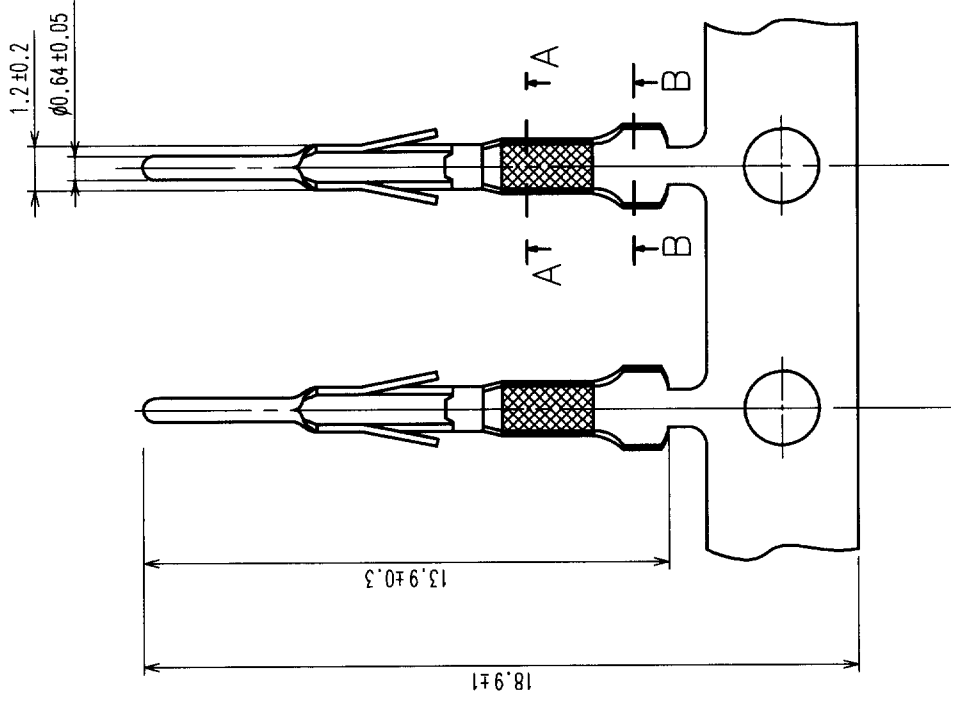
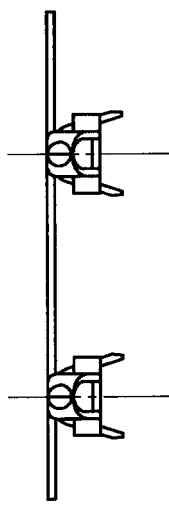
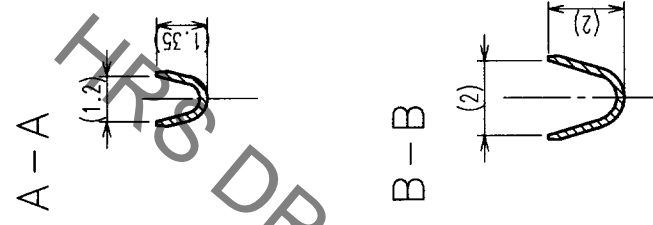
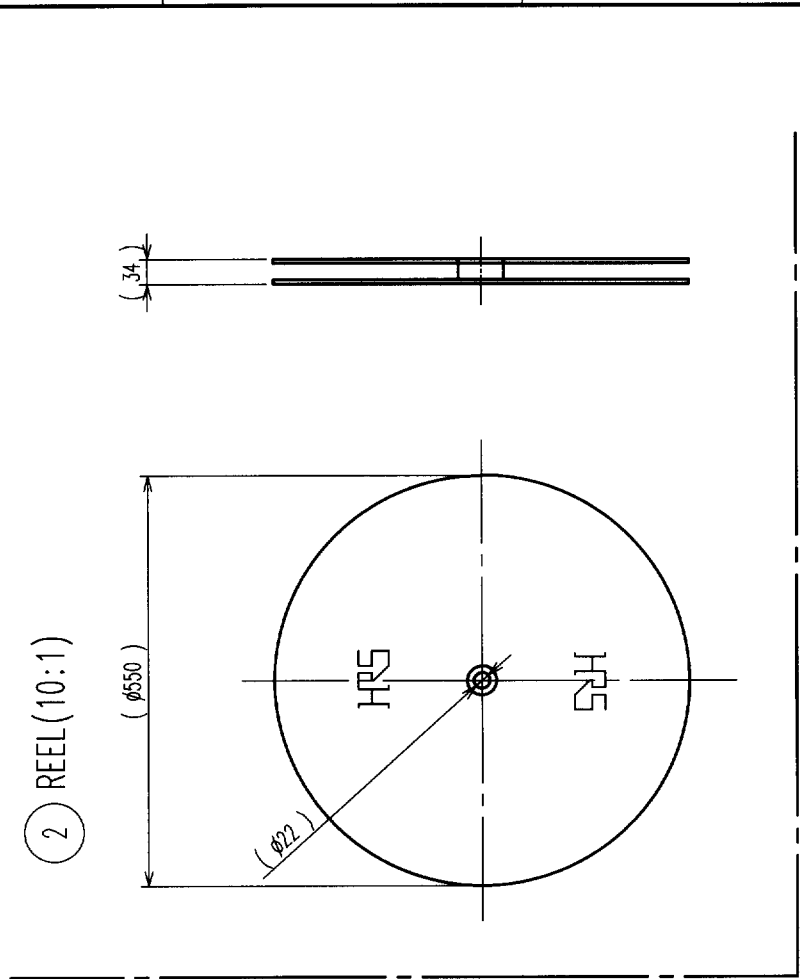


COUNT	DESCRIPTION OF REVISIONS	BY	CHKD	DATE	COUNT	DESCRIPTION OF REVISIONS	BY	CHKD	DATE
△					△				
△					△				
△					△				



NOTE 1 APPLICABLE WIRE SIZE: AWG#24 TO 28

TO	
R	

1	PHOSPHOR BRONZE	SILVER PLATING(N=10000)	2	CARTON	(REEL)
NO.	MATERIAL	FINISH, REMARKS	NO.	MATERIAL	FINISH, REMARKS
CL					
CODE NO. (OLD)	DRAWN		DESIGNED	CHECKED	APPROVED
	E. YUMINO		E. YUMINO	M. Sato	M. Yoshida
	00-10-10		00-10-10	00-10-10	00-10-11
	PART NO.		RP13-PC-222		
	DRAWING NO.		EDC3-009135		
	SCALE		5 : 1		
	UNITS		mm		
	HRS		HIROSE ELECTRIC CO., LTD		
	CODE NO.		CL113-0141-7		