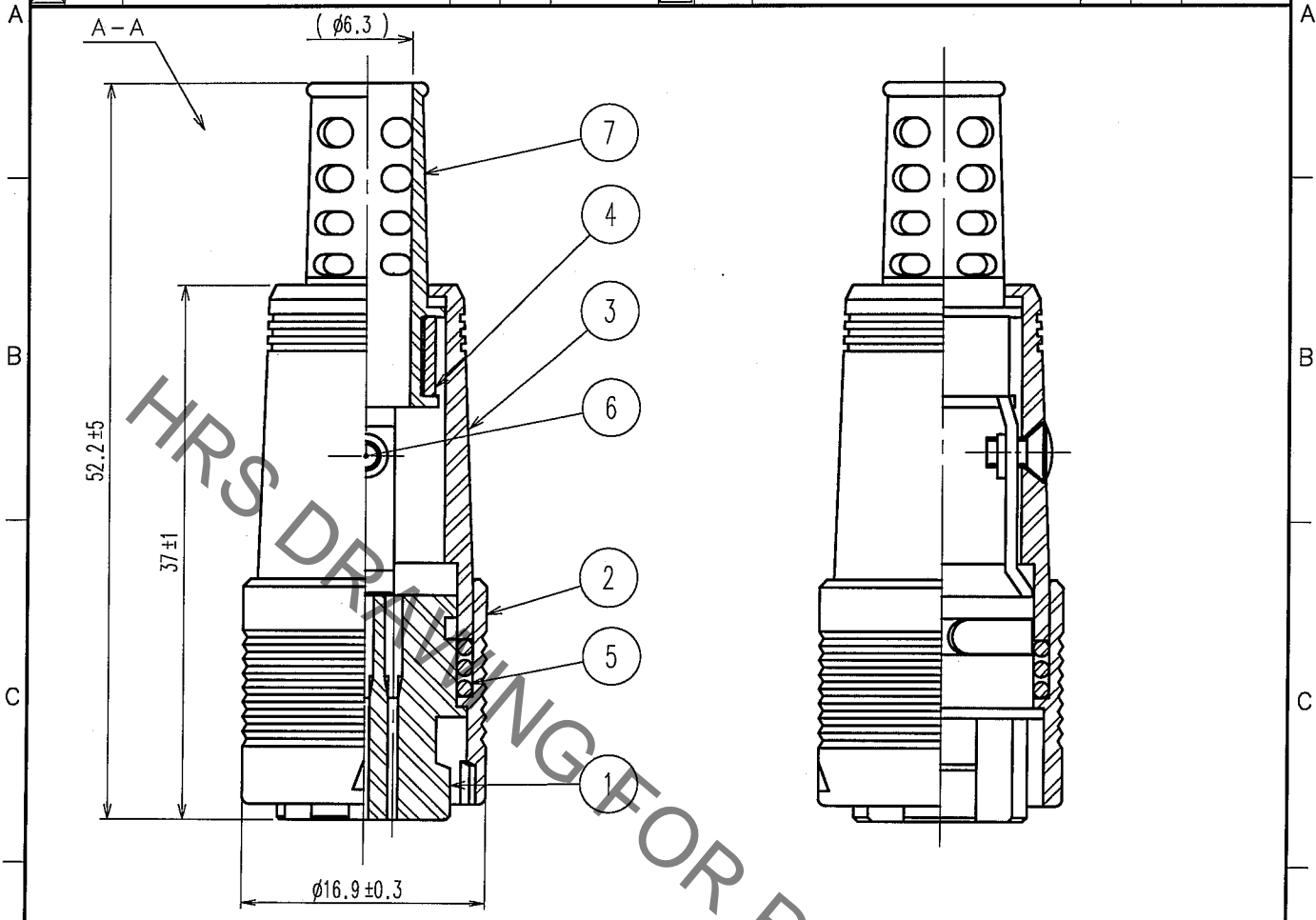


Oct.1.2019 Copyright 2019 HIROSE ELECTRIC CO., LTD. All Rights Reserved.
 In case of consideration for using Automotive equipment / device which demand high reliability, kindly contact our sales window correspondents.

1					2					3					4				
COUNT	DESCRIPTION OF REVISIONS				BY	CHKD	DATE	COUNT	DESCRIPTION OF REVISIONS				BY	CHKD	DATE				
△								△											
△								△											
△								△											



NOTE 1 ADAPT CRIMP CONTACT
 CONTACT No.1 TO 11
 RP13A-SC-222 (APPLICABLE WIRE : AWG#24 TO #28)
 CONTACT No.12,13
 RP13A-SC-212 (APPLICABLE WIRE : AWG#18 TO #22)
 2 EXTRACTION TOOL : RP13A-SC-TP
 3 APPLICABLE CLAMPING TOOL: RP13A-TC-01
 4 THIS PRODUCT IS DELIVERED DISASSEMBLE.

4	BRASS		7	FLEXIBLE POLYVINYL CHLORIDE (BLACK)	
3	POLYCARBONATE (BLACK) UL94V-0		6	BRASS (BLACK) CHROMATE TREATMENT (TRIVALENT CHROMIUM) JIS B 1111 M2x0.4x4	
2	POLYCARBONATE (BLACK) UL94V-0		5	STEEL NICKEL PLATING	
1	POLYCARBONATE (BLACK) UL94V-0				
NO.	MATERIAL	FINISH, REMARKS	NO.	MATERIAL	FINISH, REMARKS

CODE NO. (OLD) CL		DRAWN M. Ishihara 05.09.26	DESIGNED E. Yumino 05.09.26	CHECKED H. Zemba 05.09.27	APPROVED M. Sato 05.09.30	RELEASED
DRAWING NO. EDC4-009947-71		PART NO. RP13A-12PD-13SC(71)				
UNITS mm		CODE NO. CL113-0186-5-71				1/1

