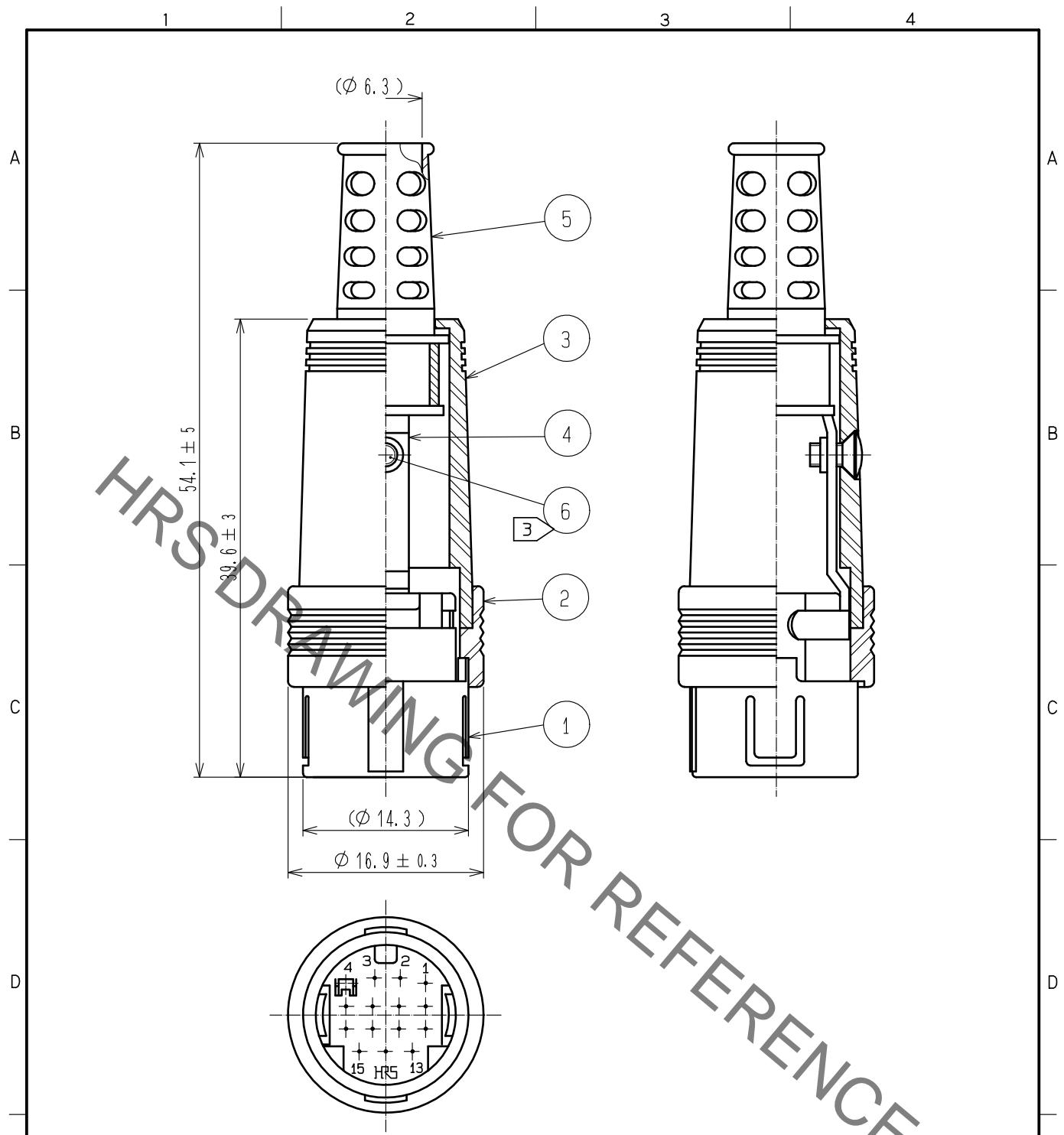


Oct.1.2019 Copyright 2019 HIROSE ELECTRIC CO., LTD. All Rights Reserved.
 In case of consideration for using Automotive equipment / device which demand high reliability, kindly contact our sales window correspondents.



- Notes
- 1 Applicable crimping contact : RP13-PC-222(CL113-0141-7)
(Applicable wire :AWG #24 to #30)
 - 2 Applicable crimp contact crimping tool : RP13A-TC-01(CL150-0070-0)
Applicable crimp contact extraction tool : RP13-PC-TP(CL150-0021-5)
 - 3 The recommended tightening torque of Ref.No. ③ shell be 0.2N·m.
 - 4 This product is delivered disassemble.
 - 5 The cable pull and twisting strength and other characteristics may differ.
Depending on the cable structure, please confirm before the use.

3	Polycarbonate	(Black)	UL94V-0	6	Brass	Black chromate treatment(Trivalent chromium) JIS B1111 M2×0.4×4
2	Polycarbonate	(Black)	UL94V-0	5	Flexible polyvinylchloride	(Black)
1	Polycarbonate	(Black)	UL94V-0	4	Brass	
NO.	MATERIAL	FINISH . REMARKS		NO.	MATERIAL	FINISH . REMARKS

UNITS mm		SCALE 2 : 1	COUNT 1	DESCRIPTION OF REVISIONS DIS-C-00001211	DESIGNED MM. ISHII	CHECKED EJ. KUNII	DATE 16.10.17
APPROVED :EJ. KUNII 16.03.23 CHECKED :EJ. KUNII 16.03.23 DESIGNED :MM. ISHII 16.03.23 DRAWN :MM. ISHII 16.03.23				DRAWING NO. EDC-026920-71-00 PART NO. RP13A-12JD-15PC(71) CODE NO. CL113-1005-4-71			