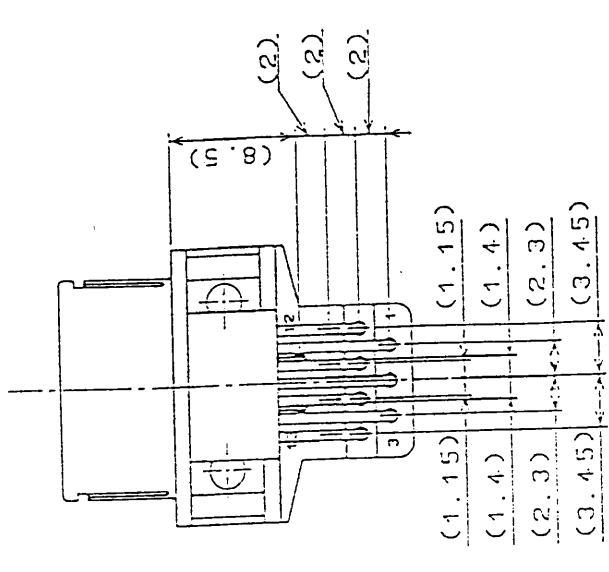
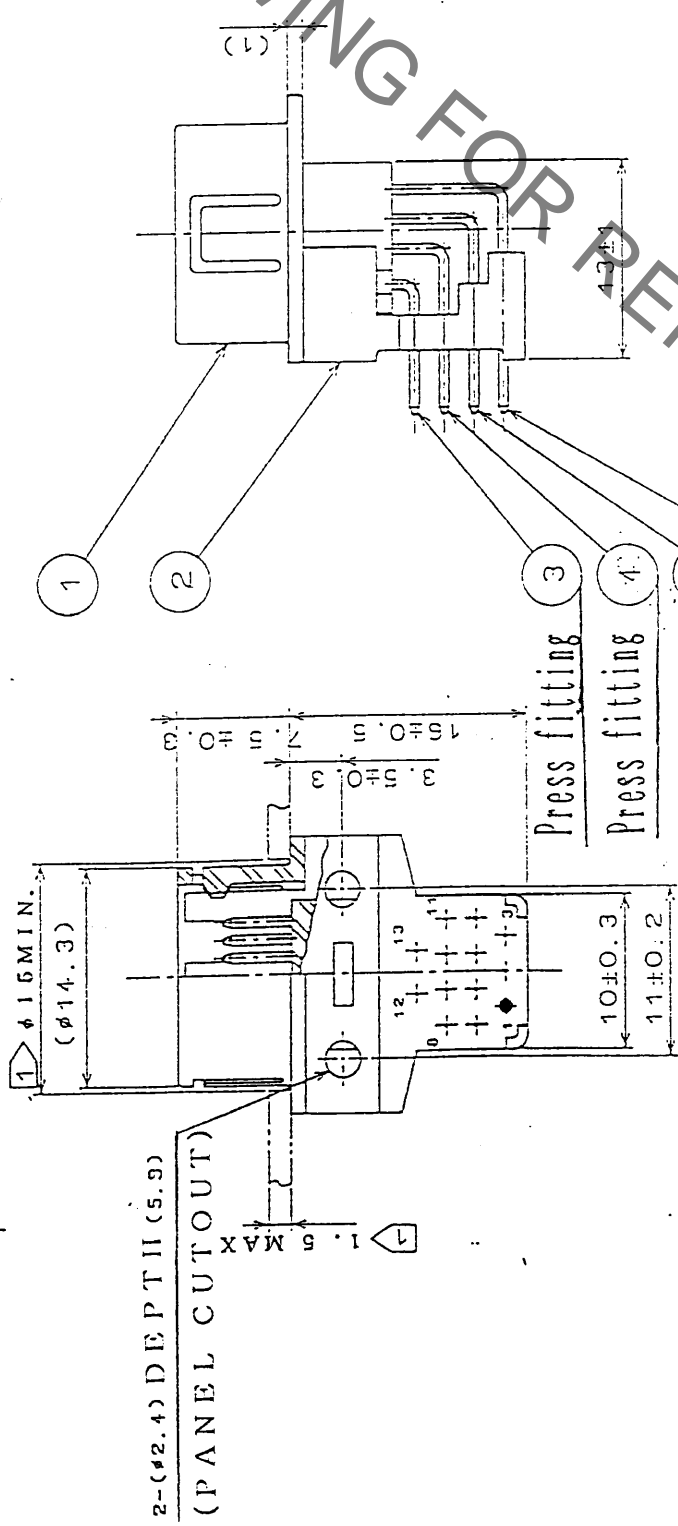
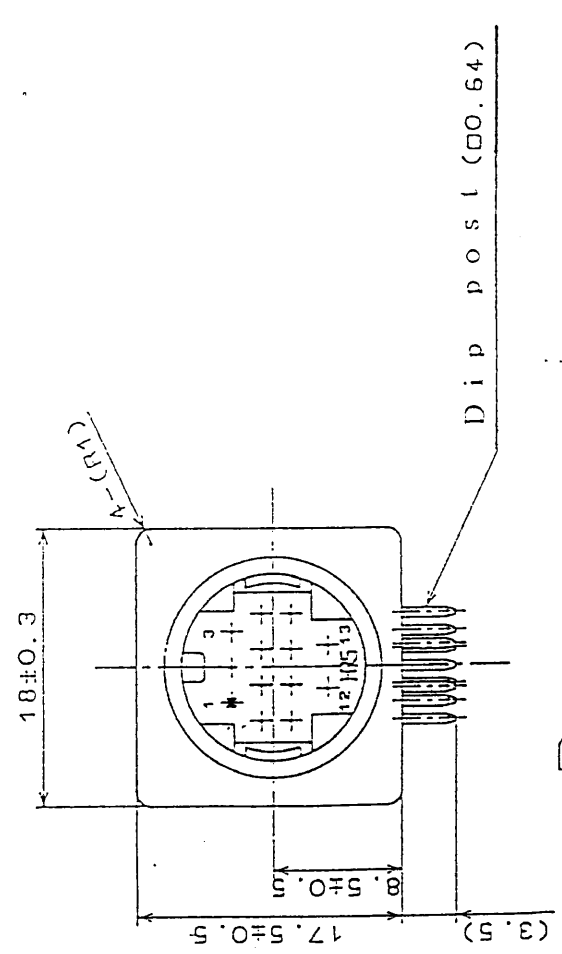


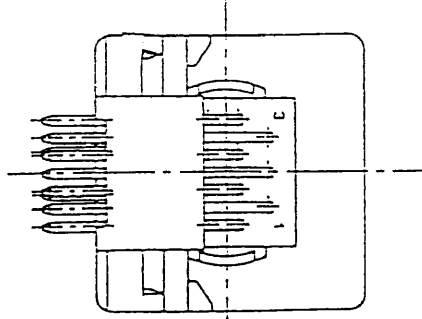
COUNT	DESCRIPTION OF REVISIONS	BY	CHKD	DATE

COUNT	DESCRIPTION OF REVISIONS	BY	CHKD	DATE



HRS DRAWING FOR REFERENCE

NOTES 1 "1.5 MAX." AND "φ15MIN." SHOW DIMENSIONS FOR PANEL CUTOUT.
 2 USE TAPPING SCREW FOR M3 BY JIS B 1122 OR EQUIVALENT TO FIX THE CONNECTOR.



TO R

2	P.B.T	(Black) UI.94V-0	DESIGNED	NO.	3-6	Brass	CHECKED	APPROVED	RELEASED
1	P.B.T	(Black) UI.94V-0	FINISH, REMARKS	NO.	3-6	Brass	CHECKED	APPROVED	RELEASED
DRAWING NAME		DRAWN		DESIGNED		CHECKED		APPROVED	
DRAWING FOR APPROVAL		Y. Iwajima		M. Sato		M. Goshida		M. Goshida	
SCALE		DATE		PART NO.		DRAWING NO.		CODE NO.	
2 : 1		12.10.92		RP13A-12RC-13PB		DC3-29989-		CL113-1020-8-	
UNITS		m.m		HRS		HIROSE ELECTRIC CO., LTD.		FORM No. 229	