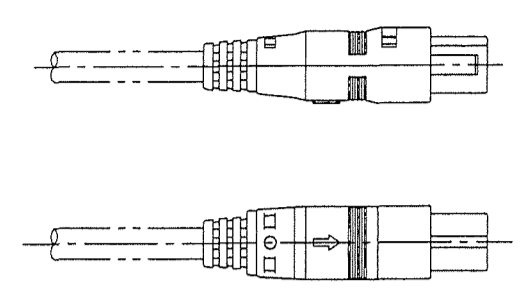
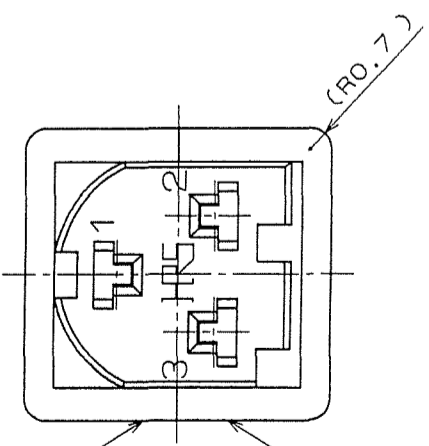
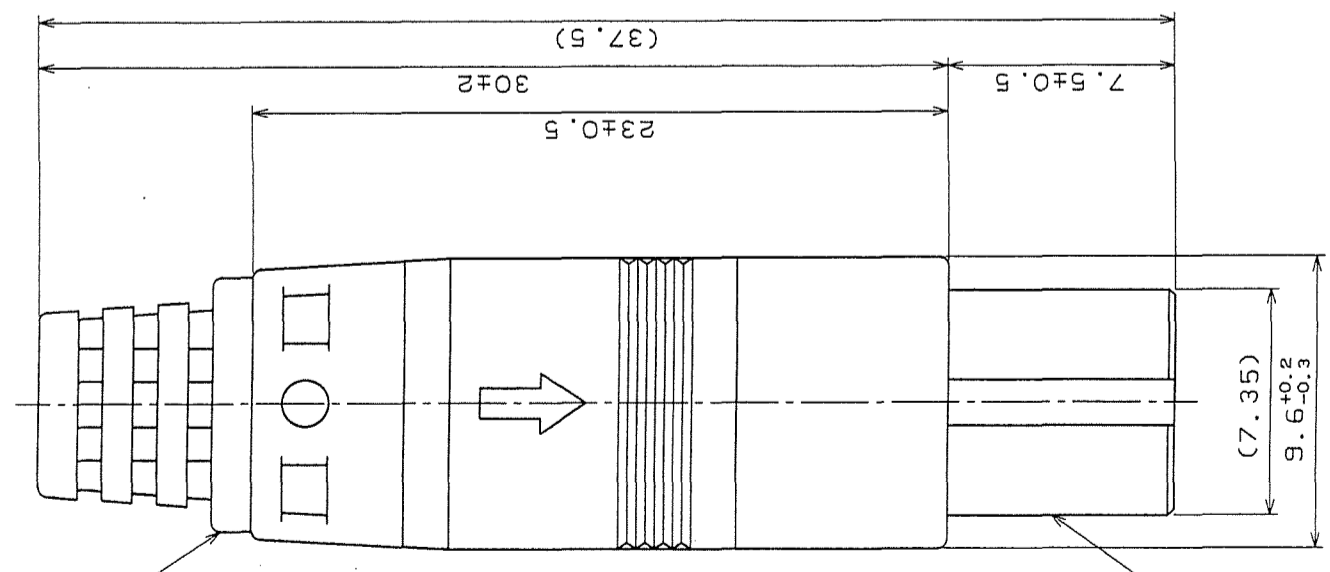
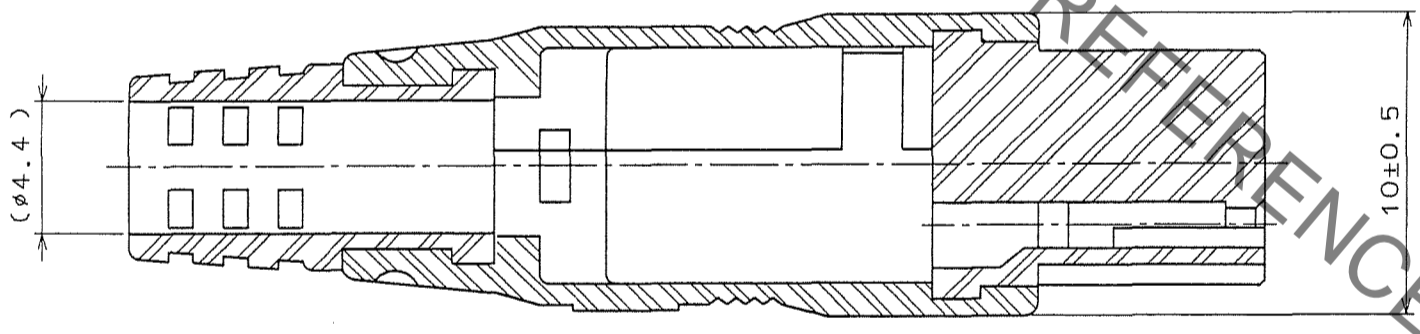


COUNT	DESCRIPTION OF REVISIONS	BY	CHKD	DATE	COUNT	DESCRIPTION OF REVISIONS	BY	CHKD	DATE
△					△				
△					△				
△					△				



1:1

- NOTE 1 APPLICABLE CRIMP CONTACT: RP34-SC-212 (CL150-5043-5)
 2 APPLICABLE CRIMP CONTACT EXTRACTION TOOL: RP34-SC-TP (CL150-0072-6)
 3 APPLICABLE CLAMPING TOOL: RP34-TC-01 (CL150-0074-1)
 4 THIS PRODUCT DISASSEMBLED WHEN DELIVERED.

NO.	MATERIAL	FINISH, REMARKS	NO.	MATERIAL	FINISH, REMARKS
3	POLYCARBONATE	(BLACK) UL94V-0	5	PVC	(BLACK) UL94V-0
2	POLYCARBONATE	(BLACK) UL94V-0	4	BRASS	
1	POLYCARBONATE	(BLACK) UL94V-0			

CODE NO. (OLD)	CL	DRAWN	DESIGNED	CHECKED	APPROVED	RELEASED
		E. Yumino	Y. Yamada	T. Akigawa	M. Sato	
		06.01.26	06.01.27	06.01.27	06.01.27	

DRAWING NO.	PART NO.
EDC3-045690-71	RP34-8SP-3SCD (71)
SCALE 4:1	CODE NO. CL113-5061-7-71
UNITS (mm)	

TO	
R	