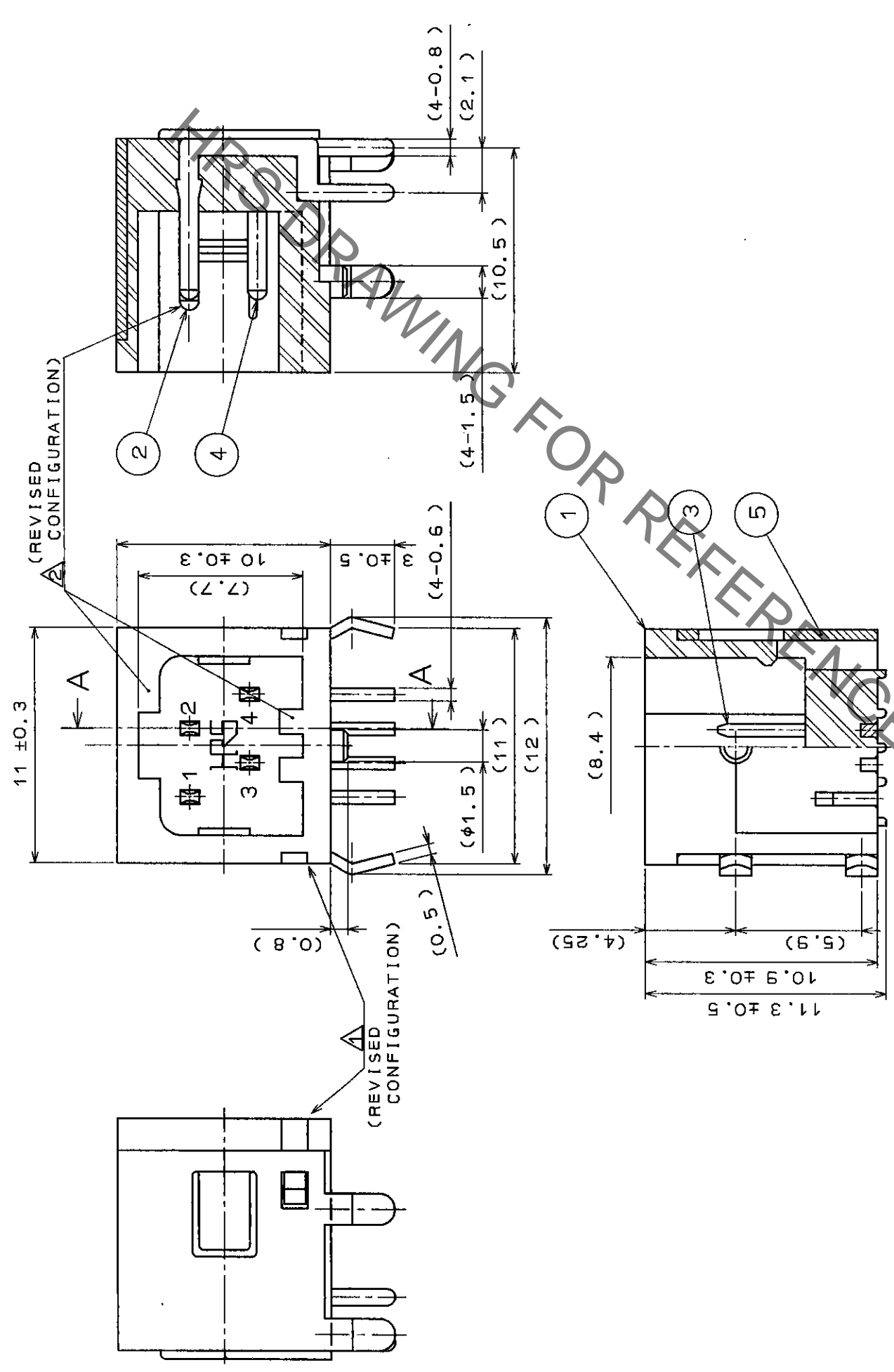


COUNT	DESCRIPTION OF REVISIONS	BY	CHKD	DATE	COUNT	DESCRIPTION OF REVISIONS	BY	CHKD	DATE
1	RE-C-1343	H. Z. M.	Y. S. A.	7. 27					
1	RE-C-1560	M. S. M.	Y. S. A.	9. 26					

A - A



NO.	MATERIAL	FINISH	REMARKS	NO.	MATERIAL	FINISH	REMARKS
3	BRASS	SILVER PLATED		5	STEEL	TIN PLATED	
2	BRASS	SILVER PLATED		4	BRASS	SILVER PLATED	
1	PBT	(BLACK)	UL94V-0				
NO.	MATERIAL	FINISH	REMARKS	NO.	MATERIAL	FINISH	REMARKS
CODE NO. (OLD)				DESIGNED	CHECKED	APPROVED	RELEASED
				H, ZEMBA	H, ZEMBA	Y, YOSHIDA	M, KAWAI
				94. 7. 7	94. 7. 7	94. 7. 7	94. 7. 7
DRAWING NO.		PART NO.					
EDC3-110263		RP34-8R-4PDL					
SCALE		CODE NO.					
4 : 1		CL113-5098-7					
UNITS		mm					

TO	
R	