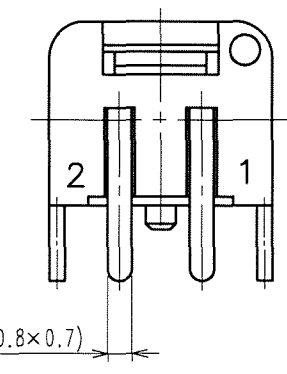
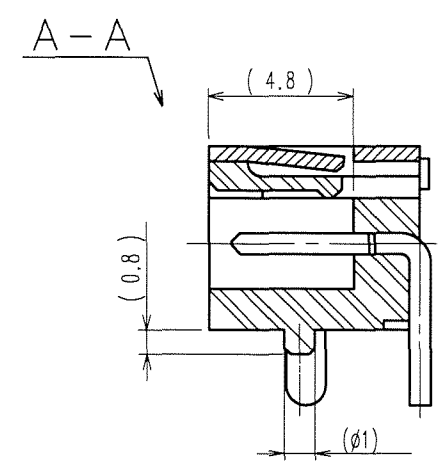
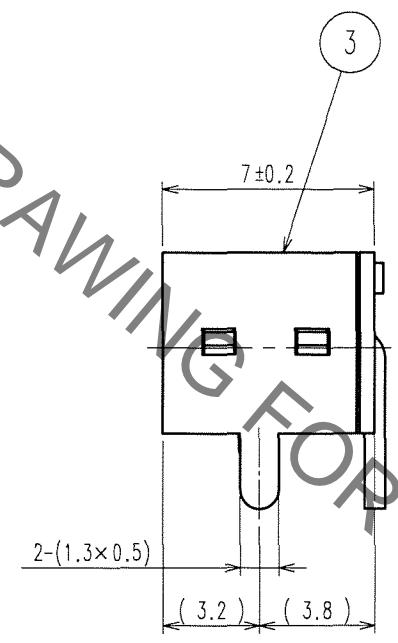
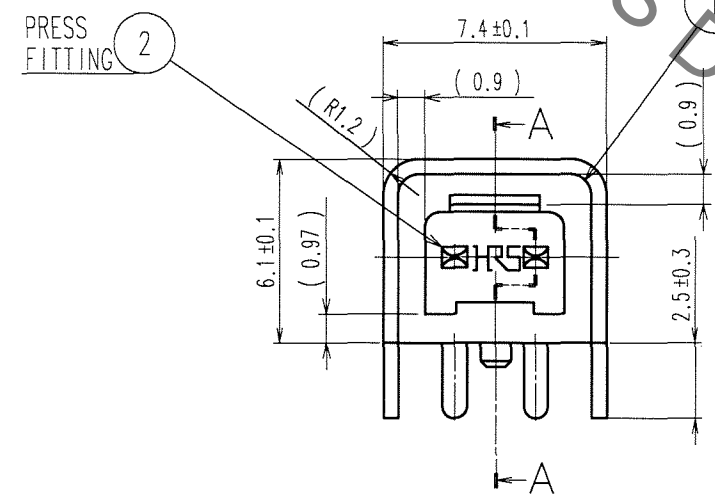
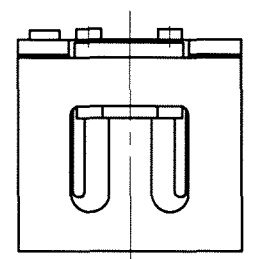
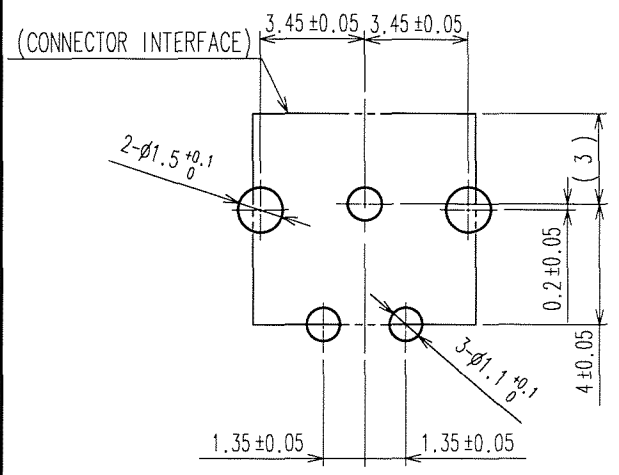


Dec.1.2019 Copyright 2019 HIROSE ELECTRIC CO., LTD. All Rights Reserved.
In case of consideration for using Automotive equipment / device which demand high reliability, kindly contact our sales window correspondents.

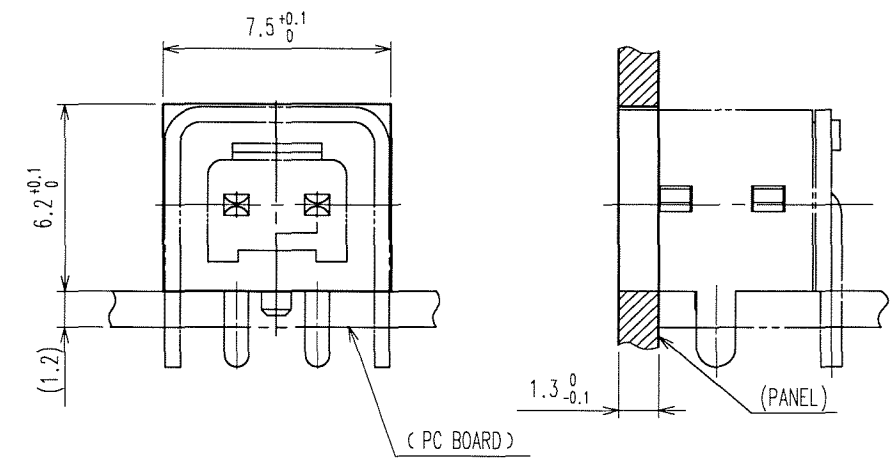
COUNT	DESCRIPTION OF REVISIONS	BY	CHKD	DATE	COUNT	DESCRIPTION OF REVISIONS	BY	CHKD	DATE
△					△				
△					△				
△					△				



RECOMMENDED PC BOARD HOLE PATTERN



1 PANEL CUTOUT (REFERENCE)



NOTE 1 PLEASE ARRANGE TO HOLD THE OUTLINE WITH THE PANEL AS SHOWN.

2	BRASS	OVER PLATING : PALLADIUM 1μ m min. UNDER PLATING : NICKEL 3μ m min.			
1	POLYAMIDE	(BLACK) UL94HB	3	PHOSPHOR BRONZE	TIN-LEAD PLATING
NO.	MATERIAL	FINISH, REMARKS	NO.	MATERIAL	FINISH, REMARKS
CODE NO. (OLD) CL		DRAWN <i>M. Sato</i> 06.12.20	DESIGNED <i>D. Matsumura</i> 06.12.20	CHECKED <i>M. Sato</i> 06.12.21	APPROVED <i>M. Sato</i> 06.12.21
DRAWING NO. EDC3-111442-71		PART NO. RP34L-5R-2PD(71)			
SCALE 4 : 1		CODE NO. CL113-5154-6-71			1/1
UNITS mm		HIROSE ELECTRIC CO., LTD			

TO
R