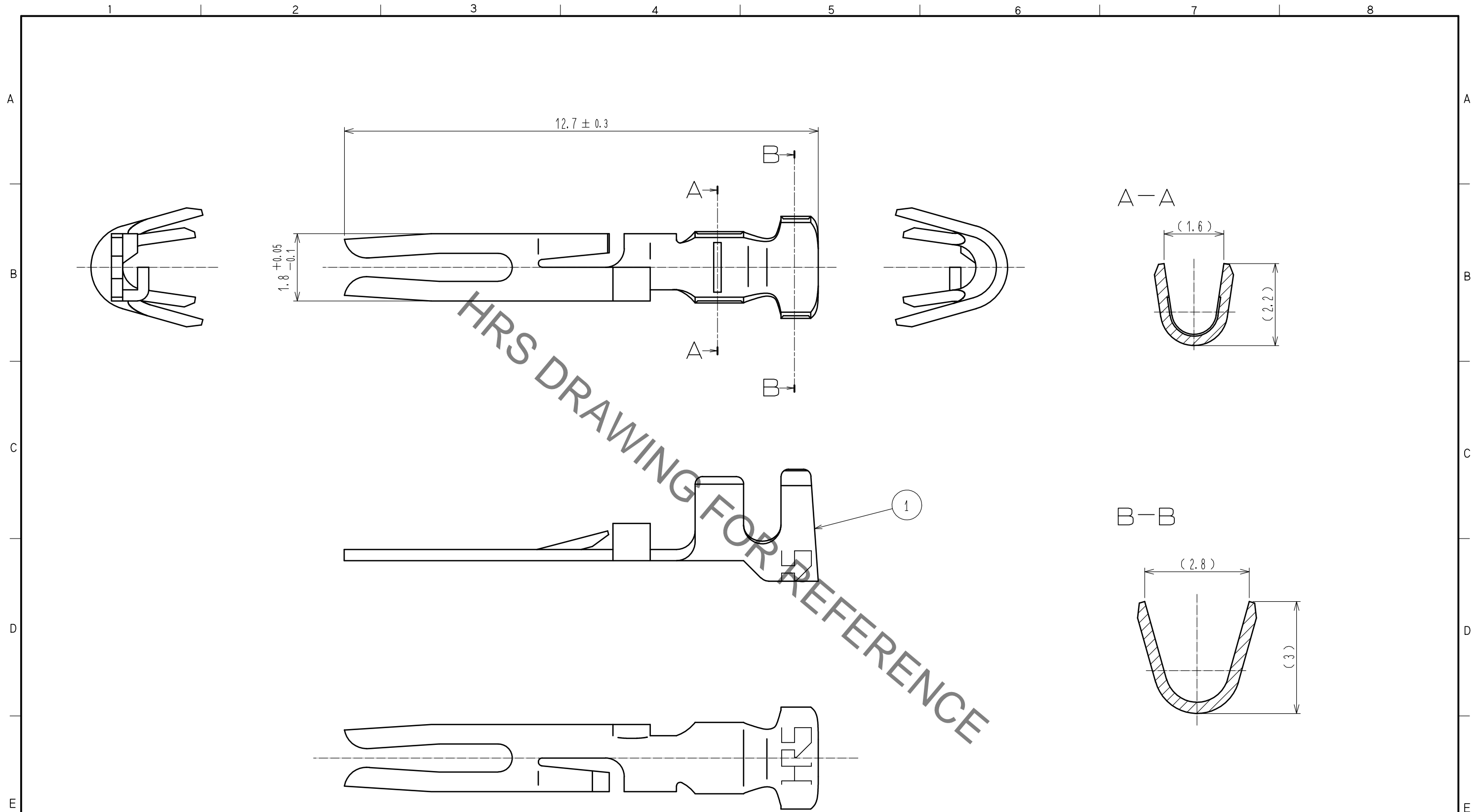


Dec.1.2019 Copyright 2019 HIROSE ELECTRIC CO., LTD. All Rights Reserved.
 In case of consideration for using Automotive equipment / device which demand high reliability, kindly contact our sales window correspondents.



NOTES 1 THIS PRODUCT IS APPLY TO THE WIRE AWG#18 TO #22(WIRE JACKET DIAMETER ϕ 1.8 MAX)
 2 HAND CRIMPING TOOL:HT-102/RP34L-SC1-212(CL150-0210-8).
 ③ CONTACT PORTION:NICKEL UNDER PLATING 1 μ m min. PALLADIUM PLATING 1 μ m min.
 OTHER:NICKEL PLATING 1 μ m min.

| 1 | PHOSPHOR BRONZE | ③ (PER PACK:100 PCS.) | | | | |
|---------------------------|-----------------|-----------------------|-------------------------|----------|------------------|--------------------------|
| NO. | MATERIAL | FINISH . REMARKS | NO. | MATERIAL | FINISH . REMARKS | |
| UNITS mm | | | SCALE 10:1 | | COUNT | DESCRIPTION OF REVISIONS |
| HIROSE ELECTRIC CO., LTD. | | | APPROVED :HY. KOBAYASHI | 15.10.22 | DRAWING NO. | EDC-113159-01-00 |
| | | | CHECKED :HY. KOBAYASHI | 15.10.22 | PART NO. | RP34L-SC1-112(01) |
| | | | DESIGNED :DS. MATSUNE | 15.10.22 | CODE NO. | CL113-5179-7-01 |
| | | | DRAWN :DS. MATSUNE | 15.10.22 | | |