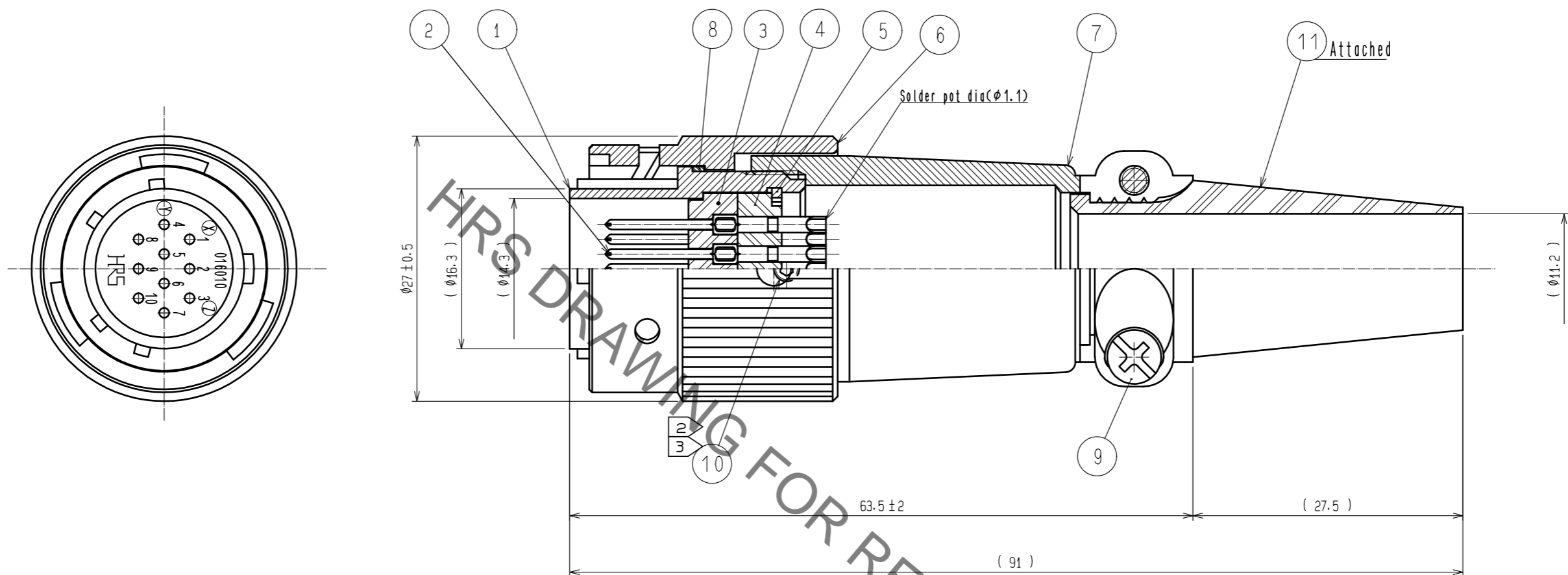


Sep.1.2021 Copyright 2021 HIROSE ELECTRIC CO., LTD. All Rights Reserved.
In case of consideration for using Automotive equipment / device which demand high reliability, kindly contact our sales window correspondents.



- NOTES 1 Rotation examples of ref. No. ① and No. ⑦ are shown.
 ② The recommended clamp torque of ref. No. ⑩ : 0.2 to 0.3N · m.
 ③ Across flats of hexagon hole of ref. No. ⑩ : 1.27

5	PHOSPHOR BRONZE	NICKEL PLATING	10	CHLOROPRENE RUBBER (BLACK)
4	PHENOL FORMALDEHYDE (BLACK)	UL94V-0	9	STEEL
3	PHENOL FORMALDEHYDE (BLACK)	UL94V-0	8	BRASS
2	COPPER ALLOY	SILVER PLATING 3μ min.	7	POLYACETAL
1	ALUMINUM ALLOY	NICKEL PLATING	6	ALUMINUM ALLOY
			5	ALUMINUM ALLOY
NO.	MATERIAL	FINISH . REMARKS	NO.	MATERIAL
				FINISH . REMARKS

UNITS	mm	SCALE	2 : 1	COUNT	DESCRIPTION OF REVISIONS	DESIGNED	CHECKED	DATE
HRS		HIROSE ELECTRIC CO., LTD.		APPROVED	: HY. KOBAYASHI	15.09.14	DRAWING NO.	EDC-119151-00-00
		CHECKED	: HY. KOBAYASHI	15.09.14	PART NO.	JRC16BP-10PA		
		DESIGNED	: KN. IKEHARA	15.09.14	CODE NO.	CL114-0300-0-00		
		DRAWN	: KN. IKEHARA	15.09.14				