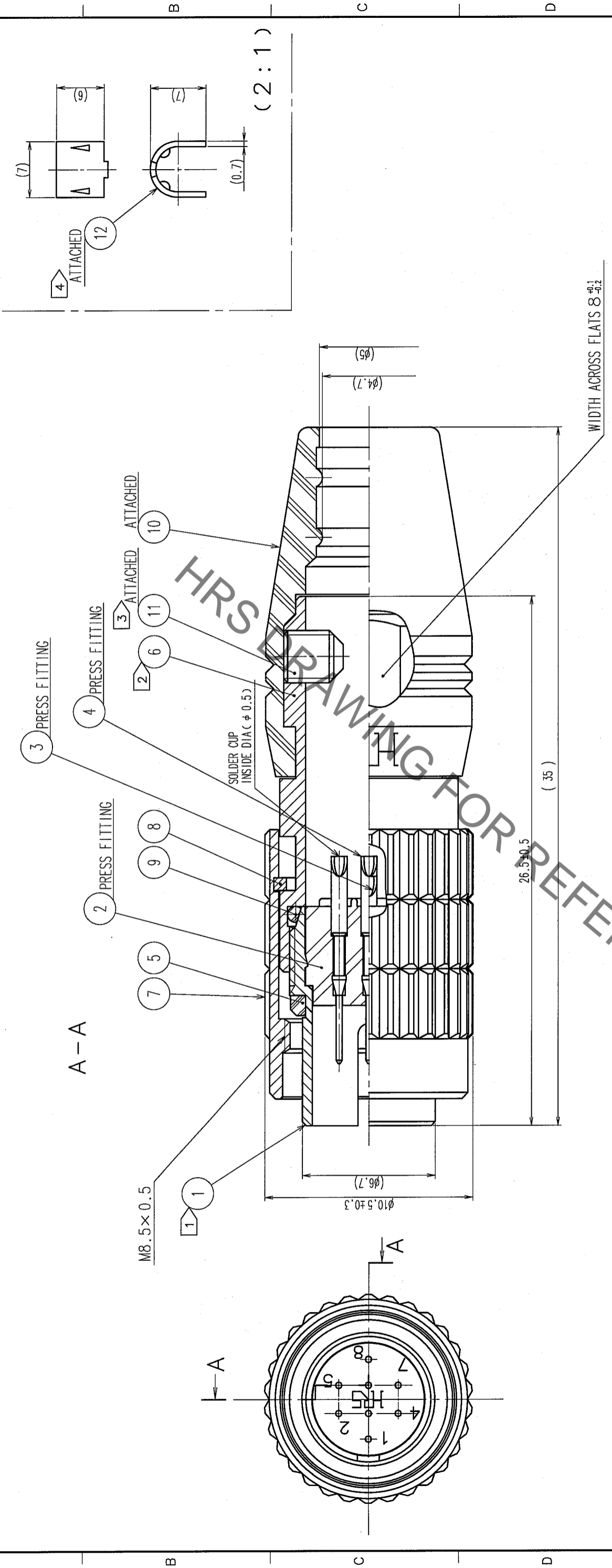


COUNT	DESCRIPTION OF REVISIONS	BY	CHKD	DATE	COUNT	DESCRIPTION OF REVISIONS	BY	CHKD	DATE
△					△				
△					△				
△					△				



NOTE ① THREAD PORTION OF REF. NO. ① IS APPLIED WITH PRECOATING TO PREVENT LOOSENESS. HOWEVER, THE ADHESIVE EFFECTIVENESS IS DECREASED WHEN REUSED. THEREFORE, TREAD PORTION IS RECOMMENDED TO COAT WITH LOCTITE 271 MANUFACTURED BY HENKEL JAPAN OR EQUIVALENT.

② THE RECOMMENDED TIGHTENING TORQUE OF REF. NO. ⑥ TO BE 1 N · m.

③ THE TIP OF REF. NO. ① SHALL BE FIXED TO THE CONCAVE PORTION WITH REF. NO. ⑫ CLAMPED TO THE CABLE.

④ OPPOSITE SIDE DIMENSION OF A HEXAGON SOCKET OF REF. NO. ① IS 1.27mm. AND THE RECOMMENDED TIGHTENING TORQUE OF REF. NO. ① TO BE 0.3 TO 0.4 N · m.

⑤ MANUAL CRIMPING TOOL OF REF. NO. ⑫ : HR10A-TC-02 (THE HOLE DIAMETER FOR CRIMPING : $\phi 5.3$)

⑥ ROTATION EXAMPLES OF REF. NO. ① AND ⑥ ARE SHOWN.

⑦ OVER PLATING : GOLD 0.2 μ m min.

⑧ UNDER PLATING : NICKEL 2 μ m min.

NO.	MATERIAL	FINISH, REMARKS	NO.	MATERIAL	FINISH, REMARKS
6	BRASS	NICKEL PLATING (BLACK)	12	BRASS	
5	EPDM		11	STEEL	NICKEL PLATING M2.6×0.45×3
4	PHOSPHOR BRONZE	⑥	10	EPDM	(BLACK)
3	PHOSPHOR BRONZE	⑥	9	EPDM	(BLACK)
2	PPS	(BLACK) UL94V-0	8	PHOSPHOR BRONZE	NICKEL PLATING
1	ZINC ALLOY	MATTE FINISH NICKEL PLATING	7	BRASS	NICKEL PLATING

CODE NO. (OLD)	CL	DESIGNED	CHECKED	APPROVED	RELEASED
		H. Kawashima	H. Kawashima	J. Ohgama	M. Sato
		'05-11-5	'05-11-5	'05-11-05	05.11.05

DRAWING NO.	PART NO.
EDC3-047695-72	HR25-7TP-8P(72)

SCALE	UNITS	CODE NO.
5 : 1	mm	CL125-0005-9-72