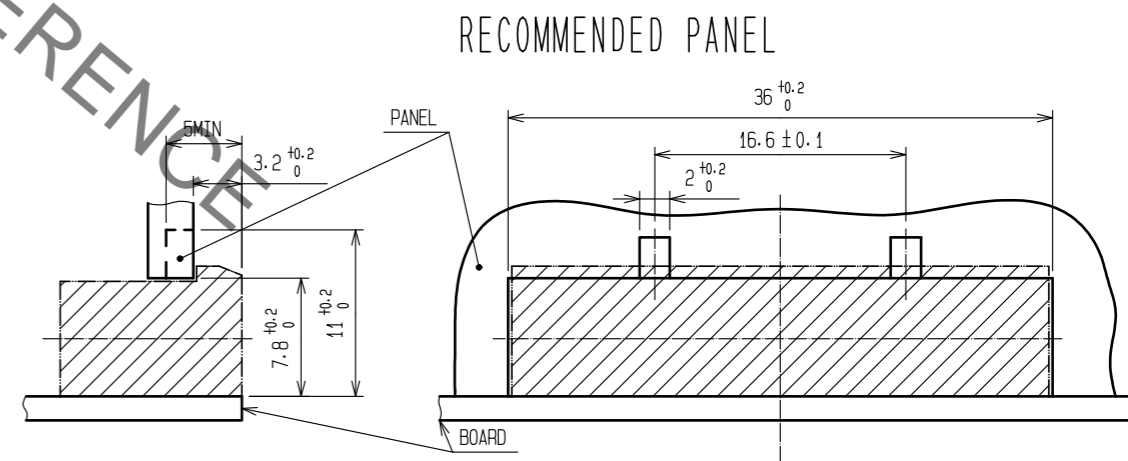
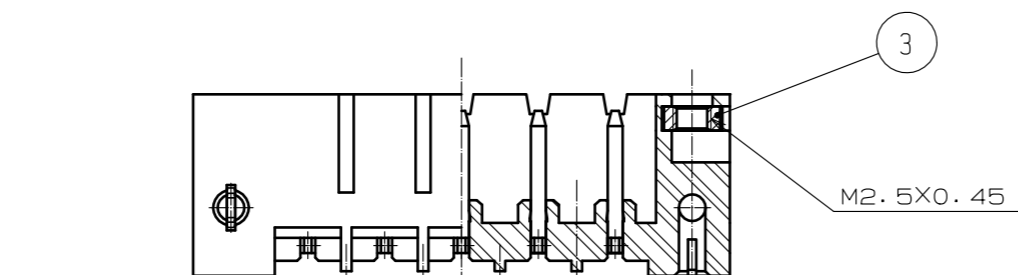
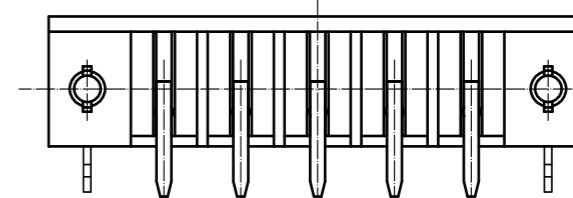
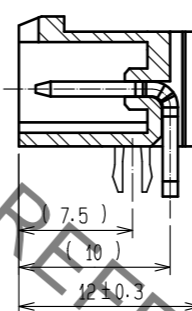
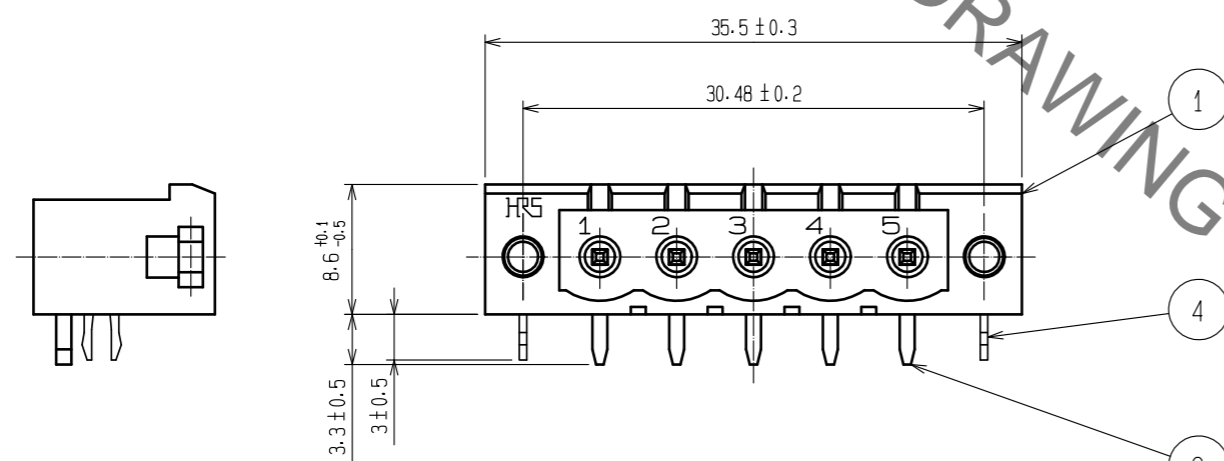
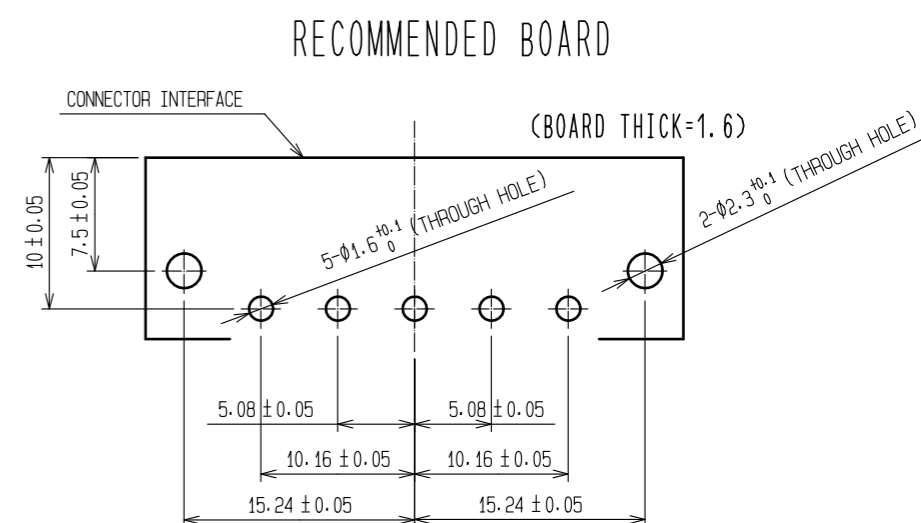
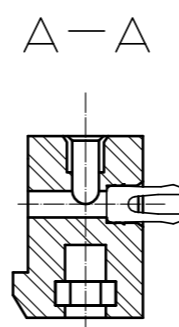
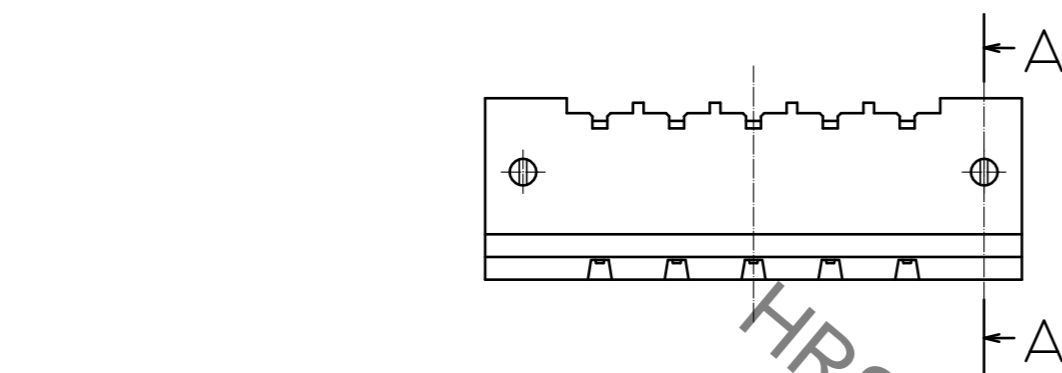


Sep.1.2019 Copyright 2019 HIROSE ELECTRIC CO., LTD. All Rights Reserved.  
In case of consideration for using Automotive equipment / device which demand high reliability, kindly contact our sales window correspondents.



NOTES) 1 CONTACT PORTION : GOLD PLATING 0.77 μm min.  
DIP PORTION : GOLD FLASH.  
UNDER PLATING : NICKEL PLATING 1.27 μm min.

2	BRASS	1	4	PHOSPHOR BRONZE	TIN PLATING		
1	POLYBUTYLENE TEREPHTHALATE (GREEN)	UL94V-0	3	STEEL	NICKEL PLATING		
NO.	MATERIAL	FINISH . REMARKS	NO.	MATERIAL	FINISH . REMARKS		
UNITS mm		SCALE 2 : 1	COUNT 	DESCRIPTION OF REVISIONS	DESIGNED	CHECKED	DATE
<b>HRS</b> HIROSE ELECTRIC CO., LTD.		APPROVED : E.J. KUNII	16.02.17	DRAWING NO.	EDC-112082-75-00		
		CHECKED : E.J. KUNII	16.02.17	PART NO.	HR31-5.08R-5PDL(75)		
		DESIGNED : S.J. SHIMIZU	16.02.17	CODE NO.	CL131-0001-0-75		
		DRAWN : S.J. SHIMIZU	16.02.17				