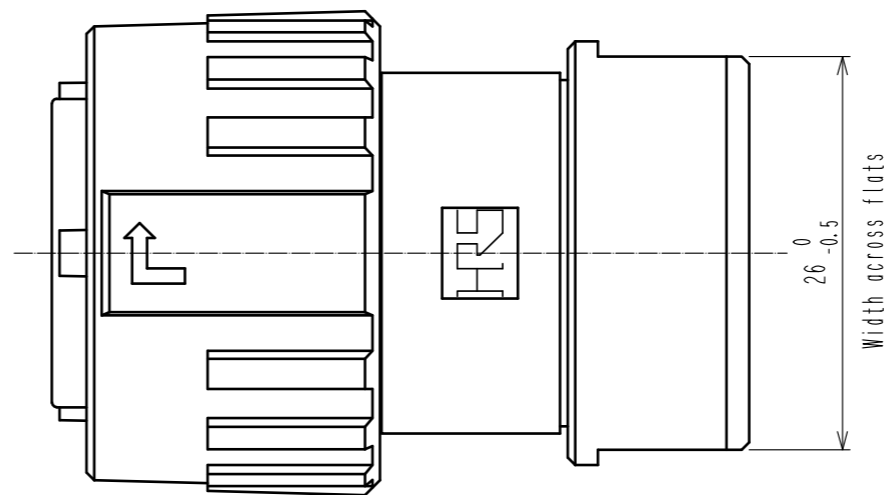
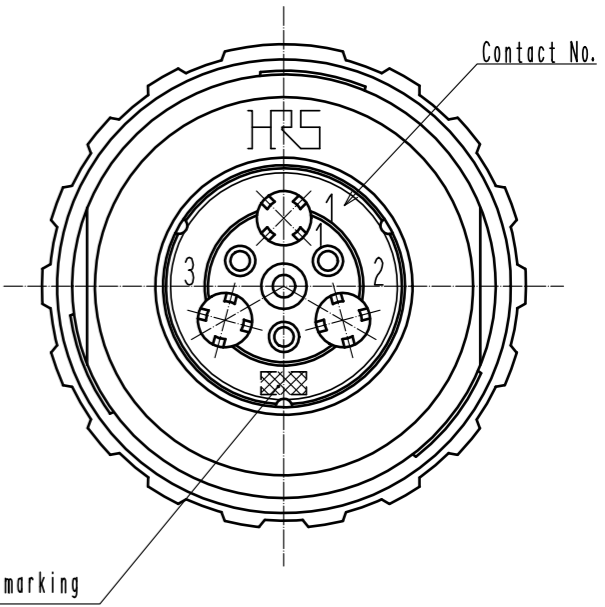
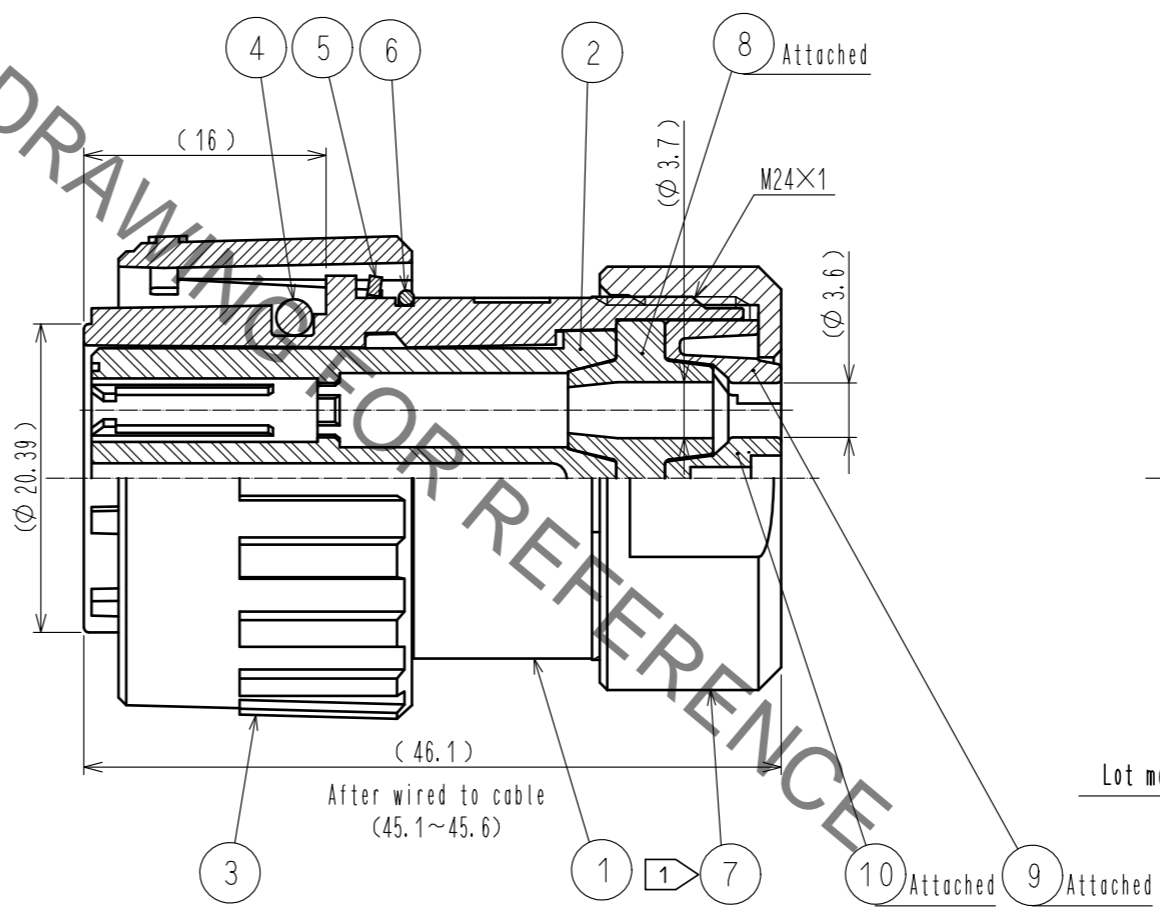
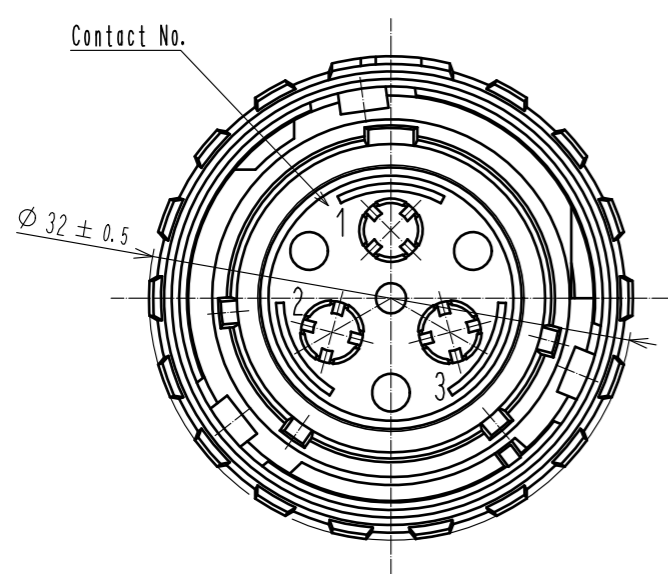


Nov.1.2019 Copyright 2019 HIROSE ELECTRIC CO., LTD. All Rights Reserved.
In case of consideration for using Automotive equipment / device which demand high reliability, kindly contact our sales window correspondents.



Applicable crimp contact	
HR43-SC-111	CL143-0003-5-00



- Notes
- The recommended tightening torque of REF. No. ⑦ : 7 to 7.5 N·m. Thread locker to the threaded portion of REF. No. ⑦ is recommended to prevent loosening. The recommended thread locker : LOCTITE 243, HENKEL JAPAN CO, LTD.
 - Rotation examples are shown for REF. No. ①, ③, ⑤ and ⑦.
 - The cable pull and twisting strength, waterproof tightness, and other characteristics may differ, depending on the cable structure, please confirm before the use.
 - Applicable mating connector : HR43-21WBJ-3PC (CL143-0002-2).

NO.	MATERIAL	FINISH . REMARKS	NO.	MATERIAL	FINISH . REMARKS
5	Stainless steel		10	PBT	Black
4	Silicone rubber	Black	9	PBT	Black
3	Aluminum alloy	Chrome plating	8	Silicone rubber	Black
2	PBT	Black	7	Aluminum alloy	Chrome plating
1	Aluminum alloy	Chrome plating	6	Stainless steel	

UNITS	SCALE	COUNT	DESCRIPTION OF REVISIONS	DESIGNED	CHECKED	DATE
mm	2 : 1	△				
APPROVED : HY. KOBAYASHI			16.04.01	DRAWING NO. EDC-117729-00-00		
CHECKED : HY. KOBAYASHI			16.04.01	PART NO. HR43-21WBP-3SC		
DESIGNED : TH. KAMEYA			16.03.31	CODE NO. CL143-0001-0-00		
DRAWN : TH. KAMEYA			16.03.31	△ 1/1		