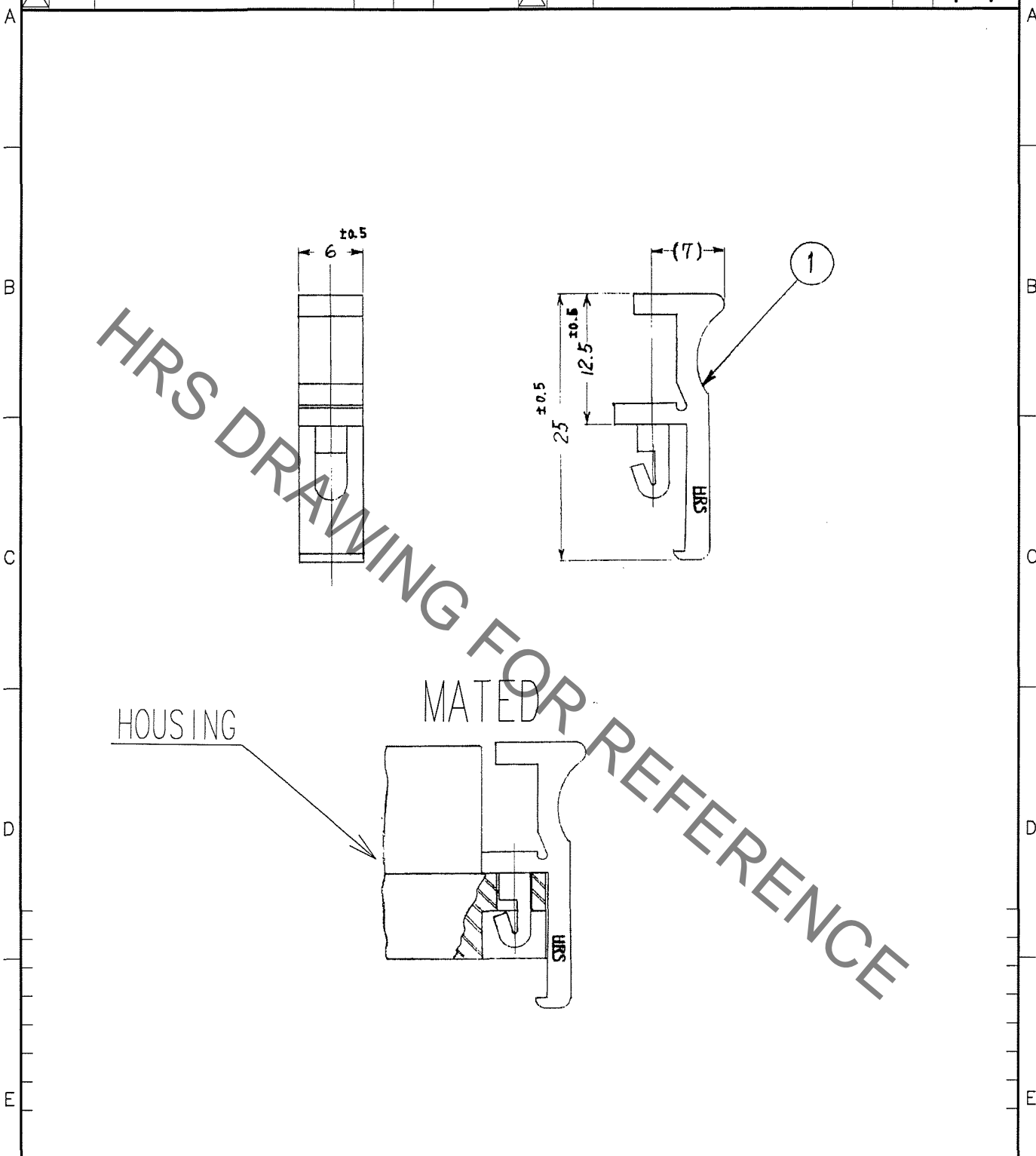


Dec.1.2019 Copyright 2019 HIROSE ELECTRIC CO., LTD. All Rights Reserved.  
 In case of consideration for using Automotive equipment / device which demand high reliability, kindly contact our sales window correspondents.

1		2			3			4		
COUNT	DESCRIPTION OF REVISIONS	BY	CHKD	DATE	COUNT	DESCRIPTION OF REVISIONS	BY	CHKD	DATE	
△					△					
△					△					
△					△					



1	POLYACETAL	(MILKY-WHITE)					
NO.	MATERIAL	FINISH, REMARKS	NO.	MATERIAL	FINISH, REMARKS	NO.	MATERIAL
CODE NO. (OLD)			DRAWN	DESIGNED	CHECKED	APPROVED	RELEASED
			<i>M. Itano</i>	<i>M. Itano</i>	<i>Y. Enami</i>	<i>H. Miura</i>	
			'07.10.31	'07.10.31	07.11.1	'07.11.02	
DRAWING NO. EDC4-007305-01		PART NO. 1600-LC					
UNITS mm		HRS HIROSE ELECTRIC CO., LTD.		CODE NO. CL216-0354-5			1/1

TO
Q