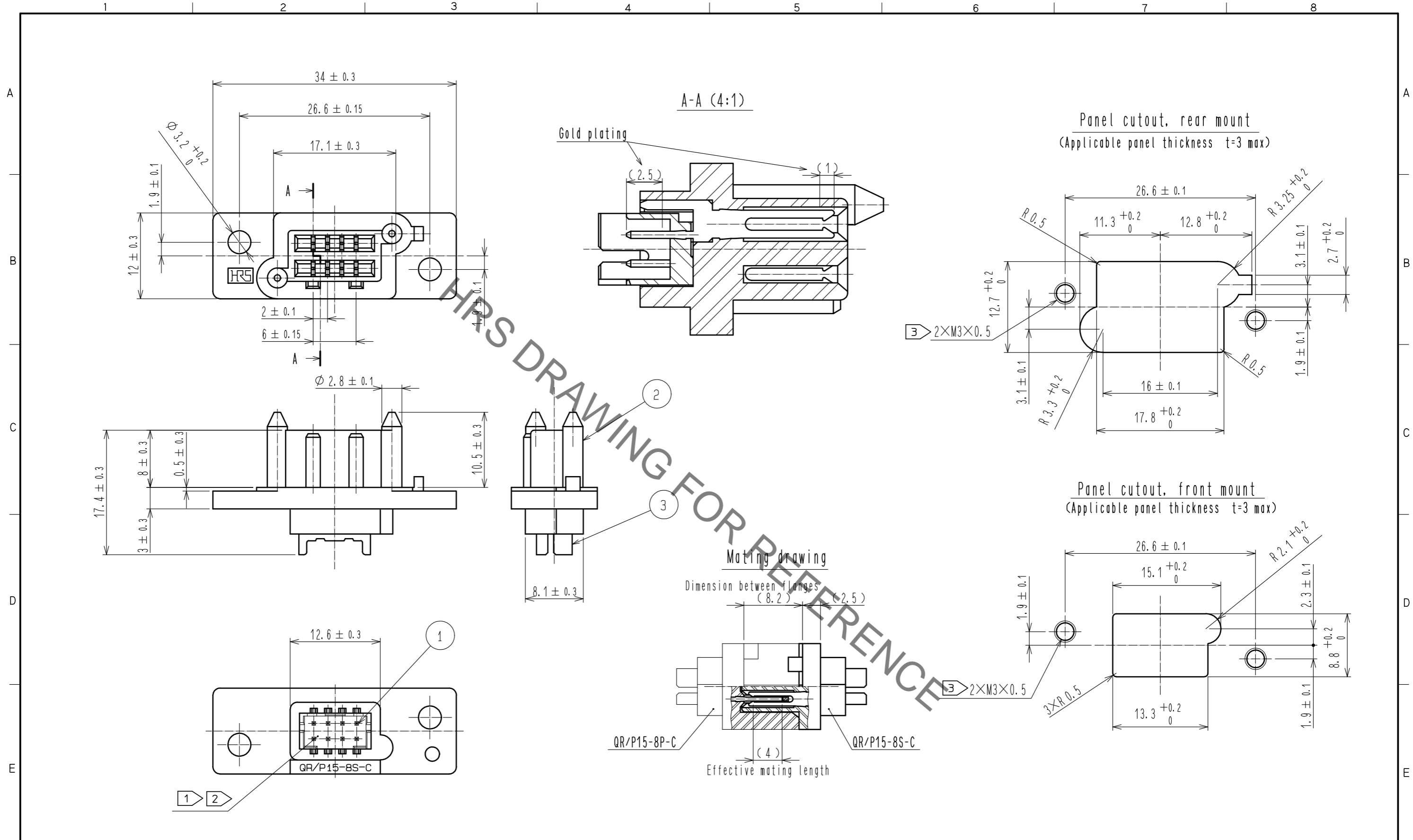


Nov.1.2019 Copyright 2019 HIROSE ELECTRIC CO., LTD. All Rights Reserved.  
In case of consideration for using Automotive equipment / device which demand high reliability, kindly contact our sales window correspondents.



- Notes
- ① DF11-8DS-2C(CCL0543-0503-0-00) assembled with DF11-※SCFA(Gold plated contact) can be mated at this portion.
  - ② Refer to ATAD-E2830 for connector wiring when mated.
  - ③ Effective screw area shall be 1.5mm min.

1	Phosphor bronze	Contact area : Gold plating 0.2μm min. Terminal area : Gold plating 0.2μm min. Under : Nickel plating 0.8μm min.	3	Polyamide	Black . UL94V-0
			2	PBT	Black . UL94V-0
NO.	MATERIAL	FINISH . REMARKS	NO.	MATERIAL	FINISH . REMARKS
UNITS		SCALE	COUNT	DESCRIPTION OF REVISIONS	
mm		2 : 1		DESIGNED	CHECKED
<b>HRS</b> HIROSE ELECTRIC CO., LTD.		APPROVED : RI. TAKAYASU	18.06.12	DRAWING NO. EDC-120408-50-02	
		CHECKED : RI. TAKAYASU	18.06.12	PART NO. QR/P15-8S-C(50)	
		DESIGNED : AH. KODAMA	18.06.11	CODE NO. CL221-0248-3-50	
		DRAWN : S.J. SATO	18.06.11	DATE	