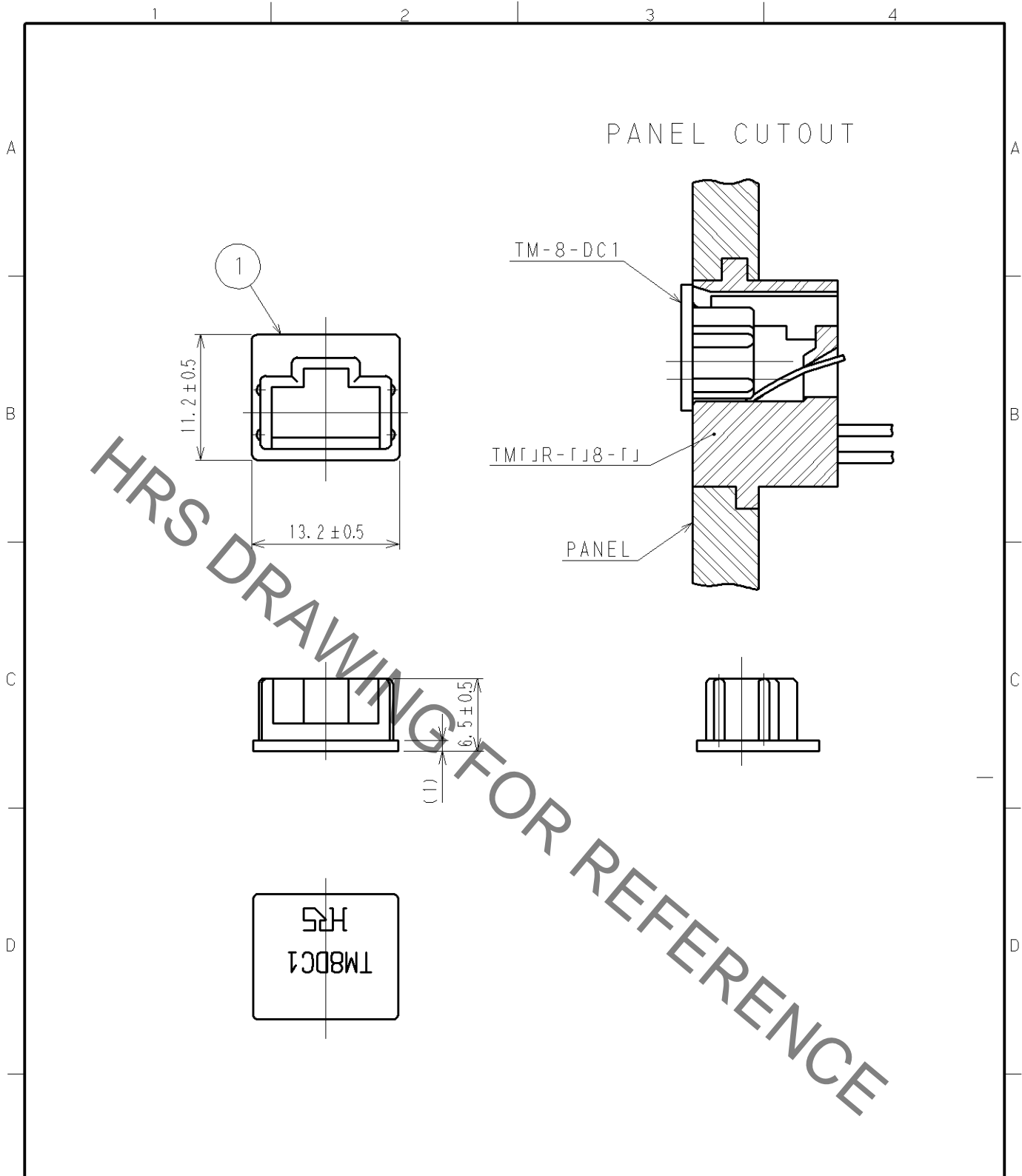


Jan.1.2021 Copyright 2021 HIROSE ELECTRIC CO., LTD. All Rights Reserved.
 In case of consideration for using Automotive equipment / device which demand high reliability, kindly contact our sales window correspondents.



HRS DRAWING FOR REFERENCE

NOTE) 1. THE DIMENSIONS IN PARENTHESIS ARE FOR REFERENCE.

1	POLYETHYLENE	COLOR: NATURAL					
NO.	MATERIAL	FINISH. REMARKS	NO.	MATERIAL	FINISH. REMARKS		
UNITS mm		SCALE 2 : 1	COUNT 	DESCRIPTION OF REVISIONS	DESIGNED	CHECKED	DATE
HIROSE ELECTRIC CO., LTD.		APPROVED : HO.MIWA	06.10.27	DRAWING NO.	EDC4-043523-01		
		CHECKED : HO.MIWA	06.10.27	PART NO.	TM-8-DC1		
		DESIGNED : S.J.SHIMIZU	06.10.27	CODE NO.	CL222-2261-9-00		
		DRAWN : S.J.SHIMIZU	06.10.27				