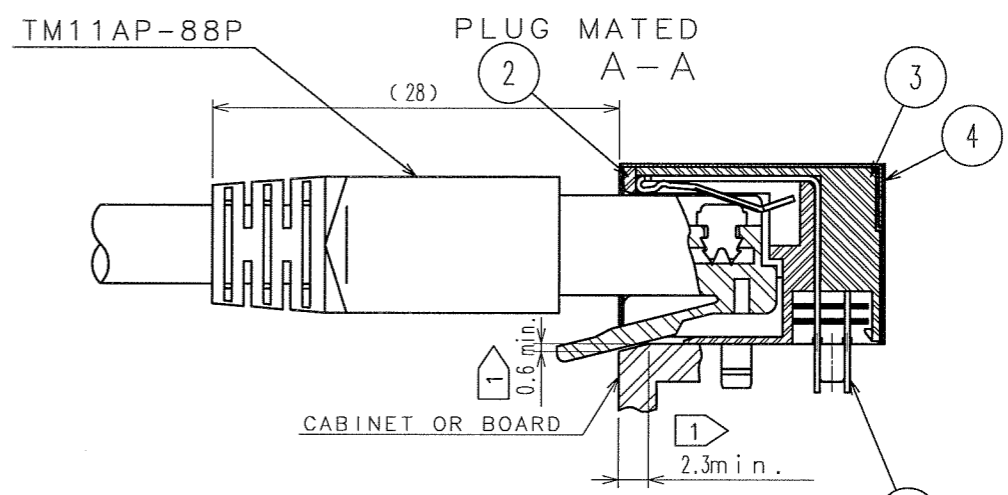
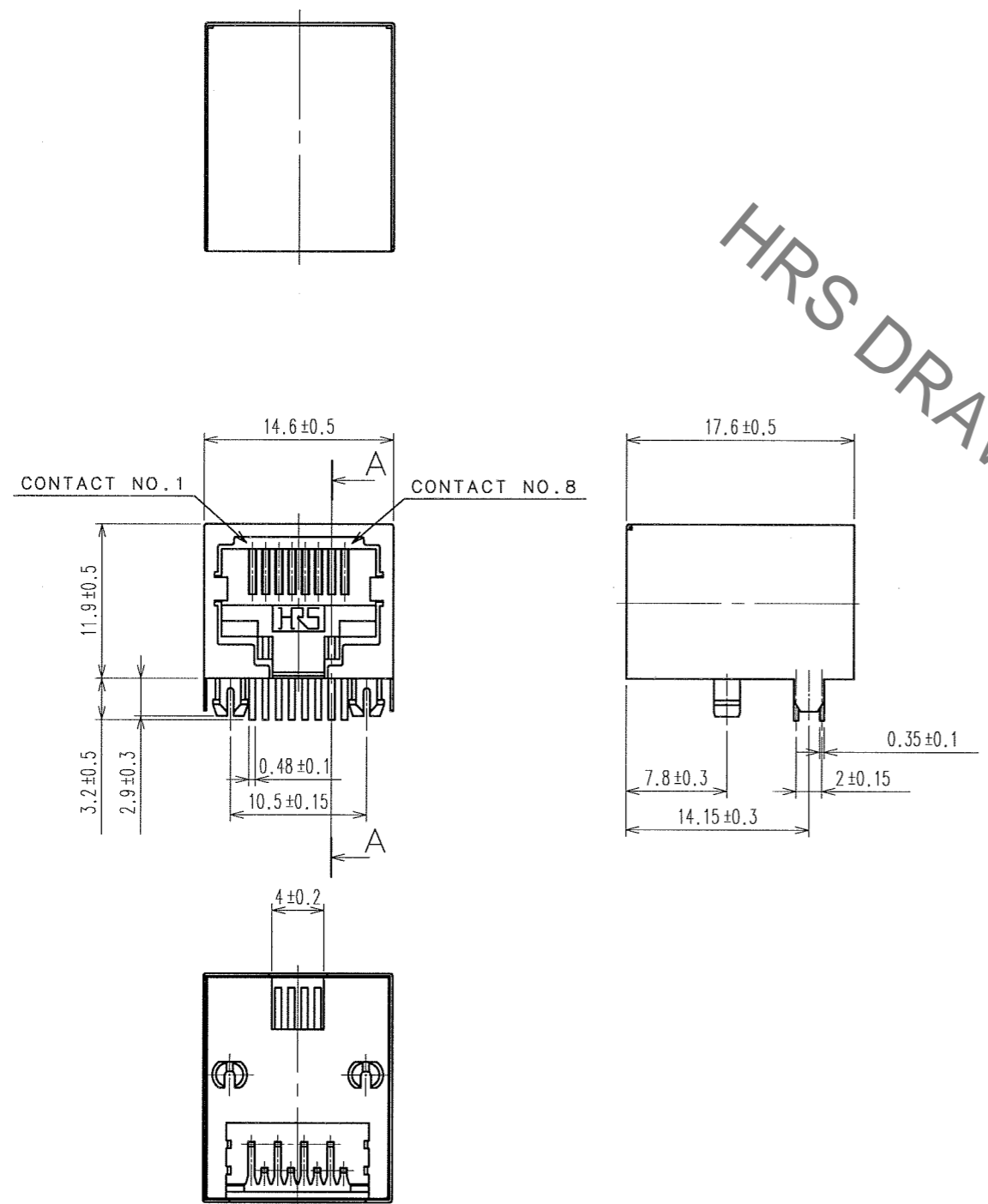


Sep.1.2020 Copyright 2020 HIROSE ELECTRIC CO., LTD. All Rights Reserved.  
In case of consideration for using Automotive equipment / device which demand high reliability, kindly contact our sales window correspondents.

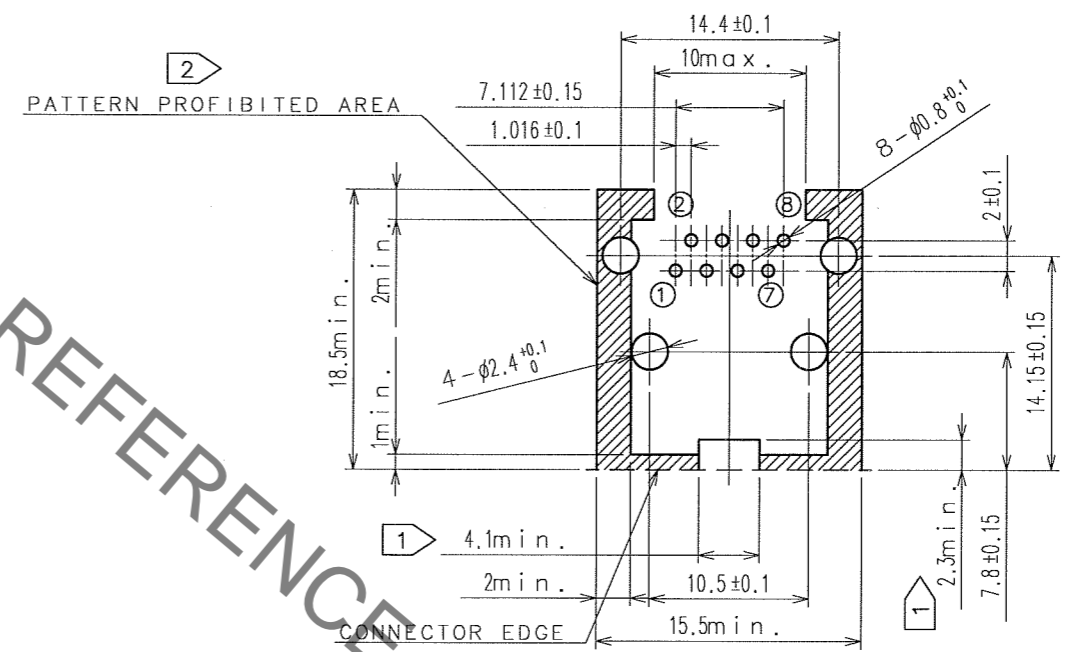
COUNT	DESCRIPTION OF REVISIONS	BY	CHKD	DATE	COUNT	DESCRIPTION OF REVISIONS	BY	CHKD	DATE
△				..	△				..
△				..	△				..
△				..	△				..

A  
B  
C  
D  
E  
F

A  
B  
C  
D  
E  
F



PCB LAYOUT (MOUNTED SIDE)  
APPLICABLE BOARD t=1.6



- NOTES
- 1 WHEN CABINET OR BOARD IS MANUFACTURED, DIMENSION AS SHOWN IN FIG. SHALL BE CUT.
  - 2 HATCHING AREA SHOWN IN FIGURE ON MOUNTING SIDE OF BOARD SHALL BE PATTERN PROHIBITED AREA.

2	PBT	UL94V-0 (BLACK)	4	PHOSPHOR BRONZE	TIN REFLOW PLATING
1	PHOSPHOR BRONZE	TIN REFLOW PLATING	3	PBT	UL94V-0 (BLACK)
NO.	MATERIAL	FINISH, REMARKS	NO.	MATERIAL	FINISH, REMARKS
CODE NO. (OLD) CL		DRAWN Y. Sato 05.10.04	DESIGNED T. Taniguchi 05.10.04	CHECKED Y. Enami 05.10.07	APPROVED H. Miura 05.10.13
DRAWING NO. EDC3-047409-01		PART NO. TM11R-5L-88(50)			
SCALE 2 : 1		CODE NO. CL222-2667-3-50			
UNITS mm		HIROSE ELECTRIC CO., LTD			

TO
Q2

1 2 3 4 5 6 7 8

Q1