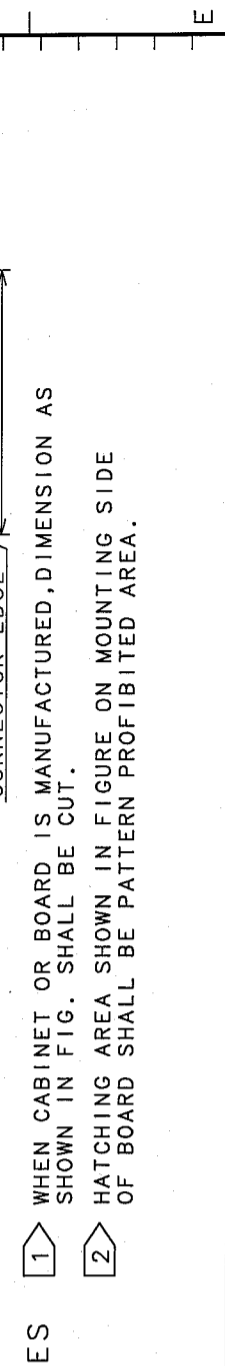
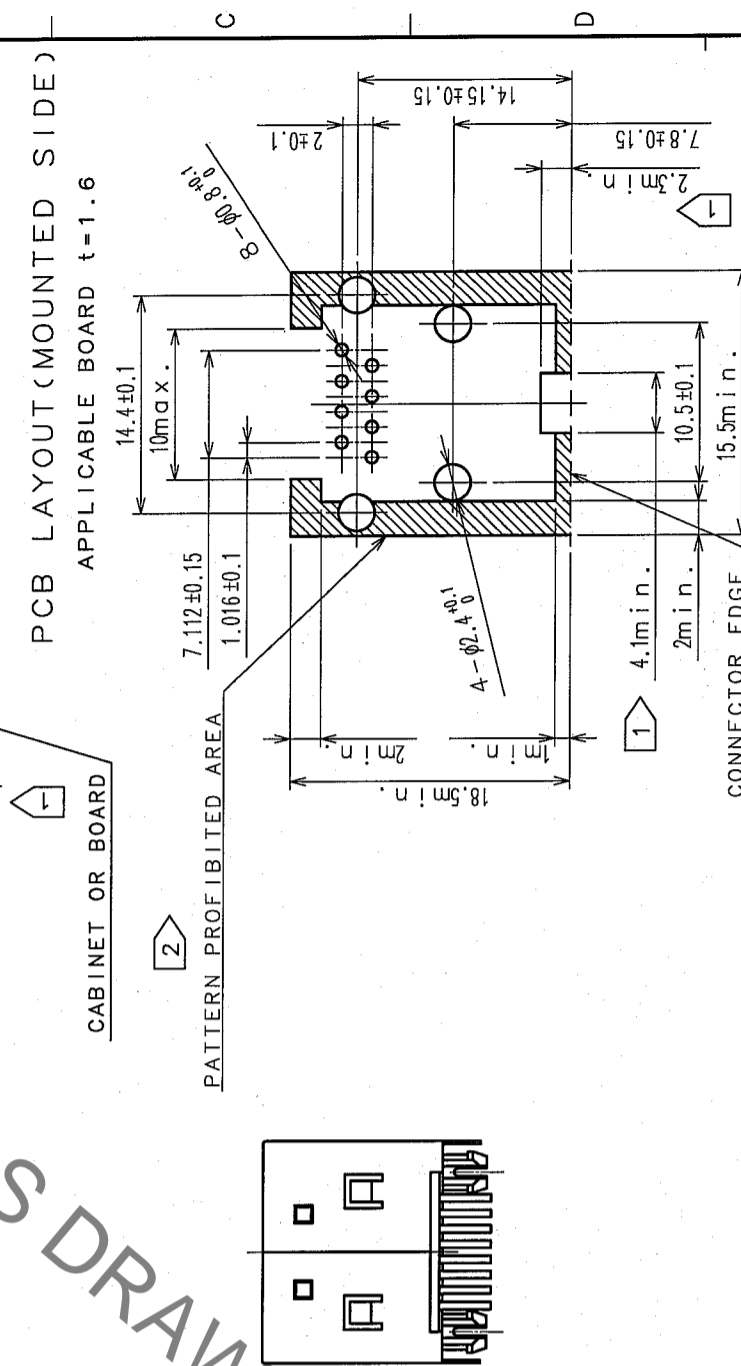
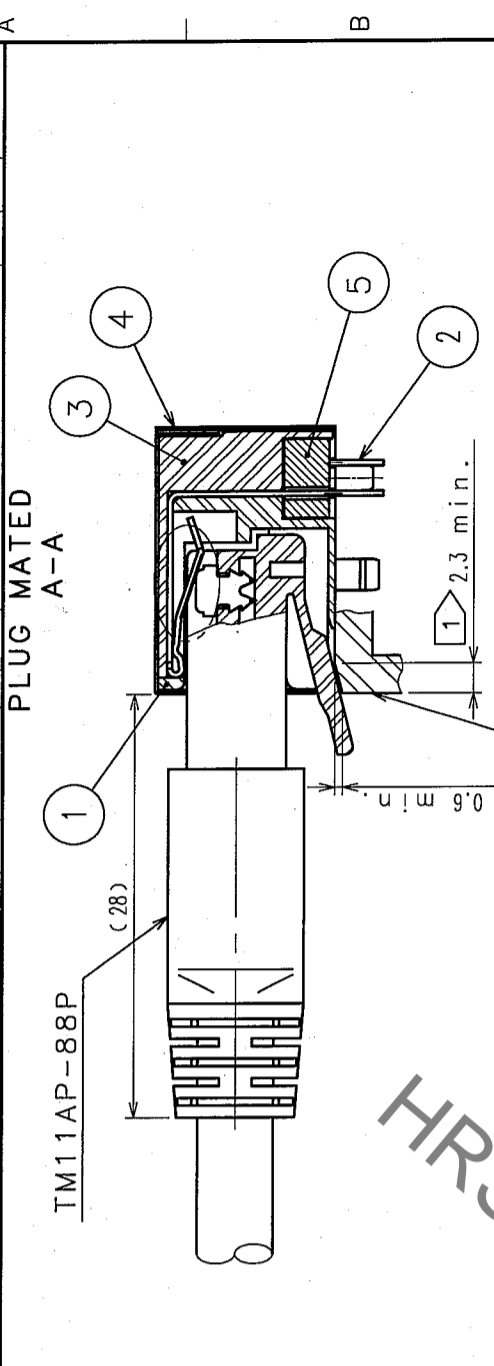


3 Sep. 1. 2020 Copyright 2020 HIROSE ELECTRIC CO., LTD. All Rights Reserved. In case of consideration for using Automotive equipment / device which demand high reliability, kindly contact our sales window correspondents.

COUNT	DESCRIPTION OF REVISIONS	BY	CHKD	DATE	COUNT	DESCRIPTION OF REVISIONS	BY	CHKD	DATE



3	SELECTIVE GOLD PLATING 1.27µm
A	GOLD PLATING 0.03µm

NO.	MATERIAL	FINISH, REMARKS	NO.	MATERIAL	FINISH, REMARKS
2	PHOSPHOR BRONZE	SELECTIVE GOLD PLATING 1.27µm OVER NICKEL PLATING 1.27µm	5	FERRITE	
1	PBT	UL94V-0 (BLACK)	4	PHOSPHOR BRONZE	TIN PLATING 1µm
			3	PBT	UL94V-0 (BLACK)

CODE NO. (OLD)	CL	DESIGNED	CHECKED	APPROVED	RELEASED
		Watanabe J. Uetanabe S. Misao H. Minato '05.10.25 '05.10.25 '05.10.25 '05.10.25			

DRAWING NO.	EDC3-048097-01	PART NO.	TM11R-5LF-88 (50)
SCALE	2 : 1	CODE NO.	CL222-2668-6-50
UNITS	mm		

NOTES

- 1 WHEN CABINET OR BOARD IS MANUFACTURED, DIMENSION AS SHOWN IN FIG. SHALL BE CUT.
- 2 HATCHING AREA SHOWN IN FIGURE ON MOUNTING SIDE OF BOARD SHALL BE PATTERN PROHIBITED AREA.

HRS DRAWING FOR REFERENCE