

Jan.1.2021 Copyright 2021 HIROSE ELECTRIC CO., LTD. All Rights Reserved.
In case of consideration for using Automotive equipment / device which demand high reliability, kindly contact our sales window correspondents.

COUNT	DESCRIPTION OF REVISIONS	BY	CHKD	DATE	COUNT	DESCRIPTION OF REVISIONS	BY	CHKD	DATE
1	DIS-E-001216	Y.S	Y.E	07.02.22					

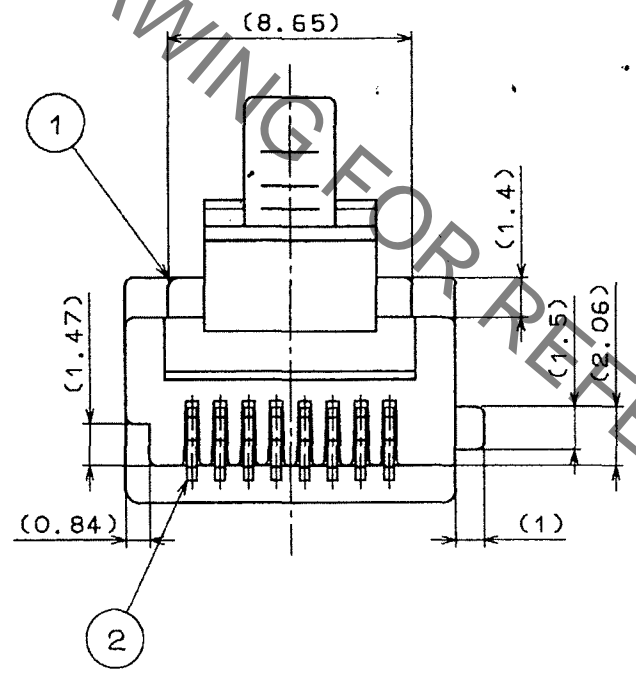
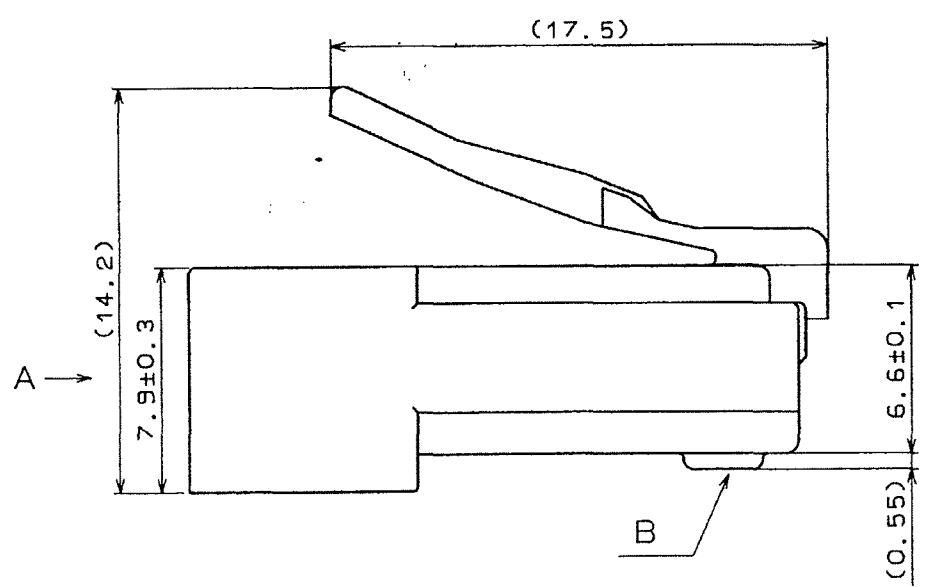
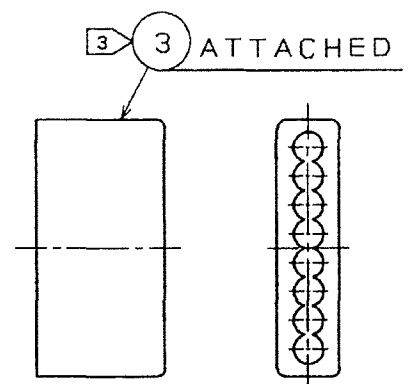
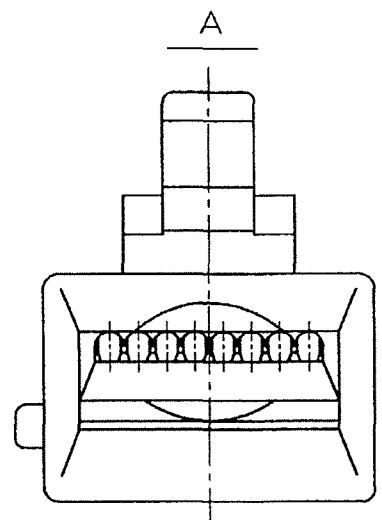
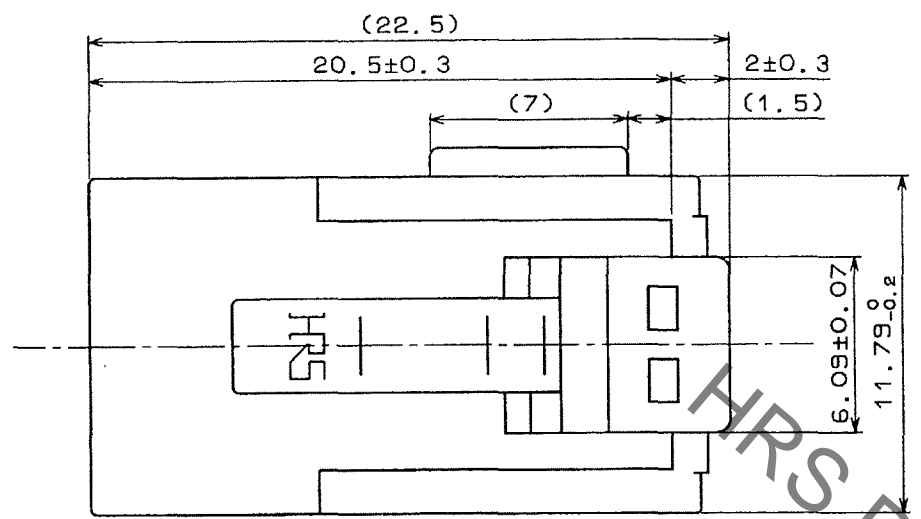
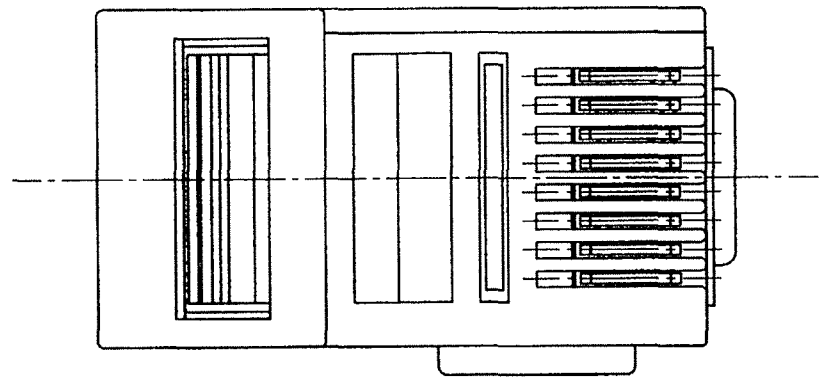


TABLE 1

APPLICABLE CABLE	
<p>CONDUCTOR INSULATOR (OUTER DIAMETER φ0.9~1mm) VINYL SEATH</p>	<p>*THE CABLE SHOWN IS ONE OF THE SAMPLE. *OUTER DIAMETER OF VINYL JACKET CHANGES ACCORDING TO ITO HARDNESS SO THE DIMENSION IN THE FIGURE IS FOR REFERENCE.</p>

- NOTES
- 1 THE DIMENSION IN PARENTHESIS IS FOR REFEREN.
 - 2 APPLICABLE CABLE OF THIS CONNECTOR IS SHOWN IN TABLE-1.
 - 3 ATTACHED SMALL BE USED TO ALIGN WIRES.
(CABLE SHALL BE ASSEMBLED WITH ADAPTOR INSERTED.)
 - 4 THIS PRODUCT CONFORES TO ISO 10173.
 - 5 THE APPLICABLE JACK IS TM5RE4-88(CL222-2776-0).



2	PHOSPHOR BRONZE (B):GOLD PLATING 1.27μm				
1	POLYCARBONATE CLEAR	3	POLYCARBONATE CLEAR		
NO.	MATERIAL	FINISH, REMARKS	NO.	MATERIAL	FINISH, REMARKS

CODE NO. (OLD)	DRAWN	DESIGNED	CHECKED	APPROVED	RELEASED
CL	S.SATO	S.SATO	H.MIWA	S.KIKUTA	
	97.07.17	97.07.17	97.07.17	97.07.17	

SCALE 4 : 1	DRAWING NO. EDC3-120546	PART NO. TM10P1-88P
UNITS mm	HIROSE ELECTRIC CO., LTD	CODE NO. CL222-2770-2

TO
Q
USA