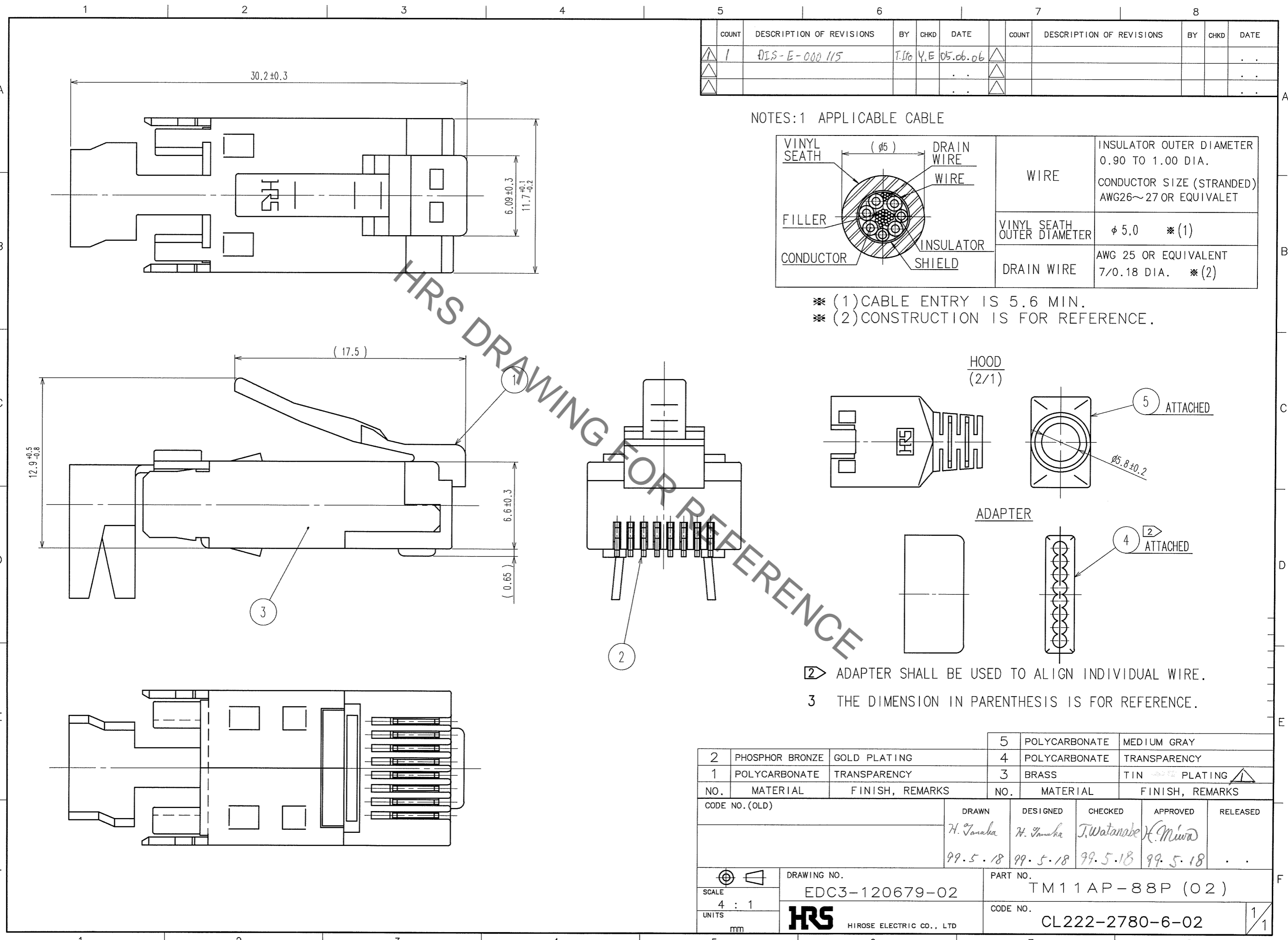


Jan.1.2021 Copyright 2021 HIROSE ELECTRIC CO., LTD. All Rights Reserved.
In case of consideration for using Automotive equipment / device which demand high reliability, kindly contact our sales window correspondents.

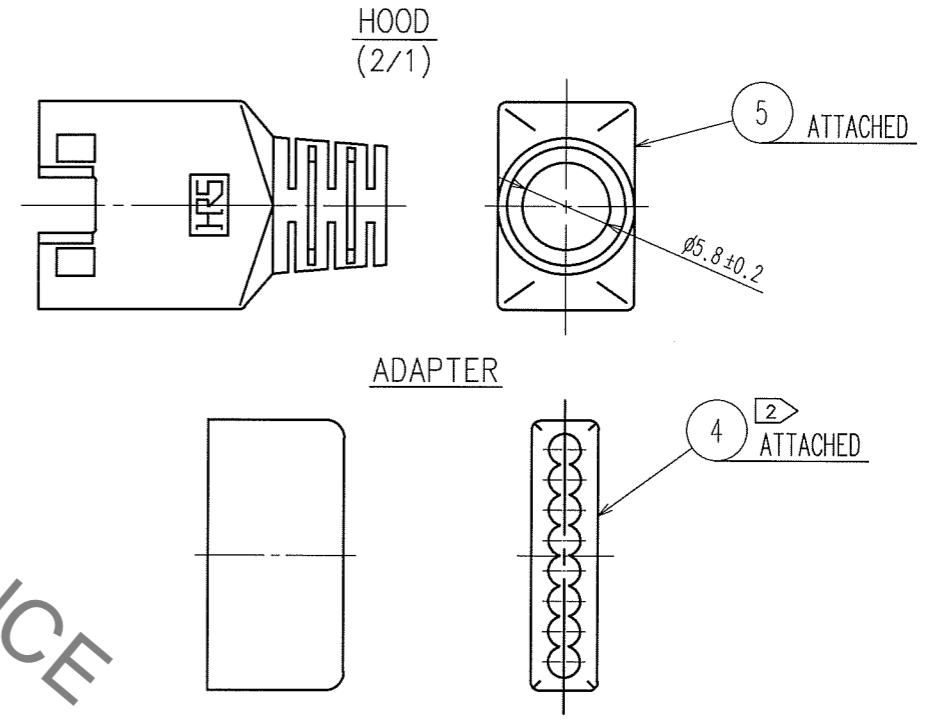


COUNT	DESCRIPTION OF REVISIONS	BY	CHKD	DATE	COUNT	DESCRIPTION OF REVISIONS	BY	CHKD	DATE
1	DIS-E-000115	T.Ito	Y.E	05.06.06					

NOTES: 1 APPLICABLE CABLE

VINYL SEATH	($\phi 5$)	DRAIN WIRE	INSULATOR OUTER DIAMETER	0.90 TO 1.00 DIA.
FILLER		WIRE	CONDUCTOR SIZE (STRANDED)	AWG26~27 OR EQUIVALENT
CONDUCTOR		INSULATOR	VINYL SEATH OUTER DIAMETER	$\phi 5.0$ * (1)
SHIELD		SHIELD	DRAIN WIRE	AWG 25 OR EQUIVALENT 7/0.18 DIA. * (2)

- * (1) CABLE ENTRY IS 5.6 MIN.
- * (2) CONSTRUCTION IS FOR REFERENCE.



- 2 ADAPTER SHALL BE USED TO ALIGN INDIVIDUAL WIRE.
- 3 THE DIMENSION IN PARENTHESIS IS FOR REFERENCE.

2	PHOSPHOR BRONZE	GOLD PLATING	5	POLYCARBONATE	MEDIUM GRAY
1	POLYCARBONATE	TRANSPARENCY	4	POLYCARBONATE	TRANSPARENCY
			3	BRASS	TIN PLATING
NO.	MATERIAL	FINISH, REMARKS	NO.	MATERIAL	FINISH, REMARKS
CODE NO. (OLD)		DRAWN	DESIGNED	CHECKED	APPROVED
		H. Tanaka	H. Tanaka	T. Watanabe	K. Miwa
		99.5.18	99.5.18	99.5.18	99.5.18
DRAWING NO.			PART NO.		
EDC3-120679-02			TM11AP-88P (02)		
SCALE			CODE NO.		
4 : 1			CL222-2780-6-02		
UNITS			1/1		
mm			HRS HIROSE ELECTRIC CO., LTD		

TO
Q2