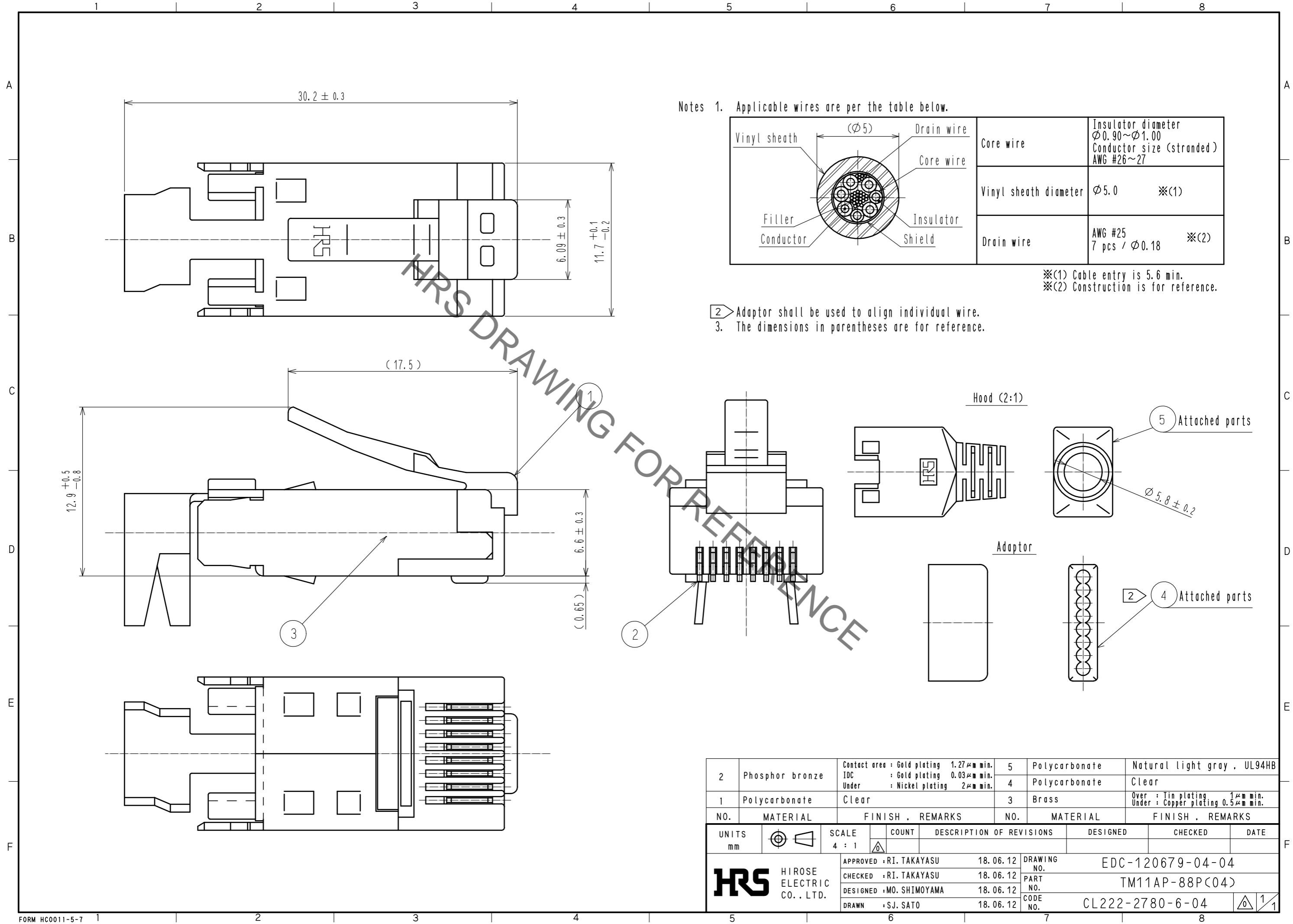


Jan.1.2021 Copyright 2021 HIROSE ELECTRIC CO., LTD. All Rights Reserved.
In case of consideration for using Automotive equipment / device which demand high reliability, kindly contact our sales window correspondents.

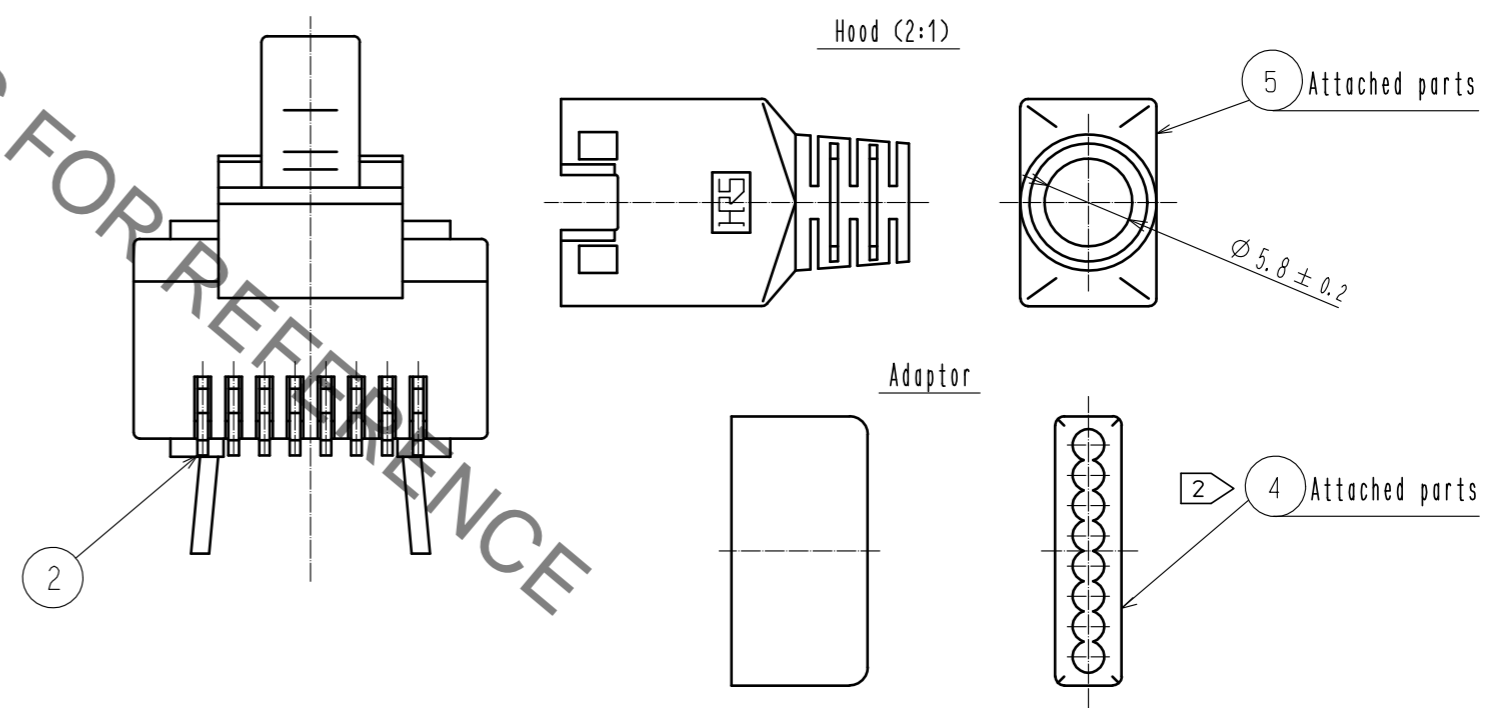


Notes 1. Applicable wires are per the table below.

	Core wire	Insulator diameter $\phi 0.90 \sim \phi 1.00$ Conductor size (stranded) AWG #26~27
	Vinyl sheath diameter	$\phi 5.0$ ※(1)
	Drain wire	AWG #25 7 pcs / $\phi 0.18$ ※(2)

※(1) Cable entry is 5.6 min.
※(2) Construction is for reference.

- ② Adaptor shall be used to align individual wire.
- 3. The dimensions in parentheses are for reference.



2	Phosphor bronze	Contact area : Gold plating 1.27 μ m min. IDC : Gold plating 0.03 μ m min. Under : Nickel plating 2 μ m min.	5	Polycarbonate	Natural light gray . UL94HB		
1	Polycarbonate	Clear	4	Polycarbonate	Clear		
NO.	MATERIAL	FINISH . REMARKS	NO.	MATERIAL	FINISH . REMARKS		
3	Brass		3	Brass	Over : Tin plating 1 μ m min. Under : Copper plating 0.5 μ m min.		
UNITS		SCALE	COUNT	DESCRIPTION OF REVISIONS	DESIGNED	CHECKED	DATE
mm		4 : 1					
HRS HIROSE ELECTRIC CO., LTD.		APPROVED : RI. TAKAYASU	18.06.12	DRAWING NO.	EDC-120679-04-04		
		CHECKED : RI. TAKAYASU	18.06.12	PART NO.	TM11AP-88P(04)		
		DESIGNED : MO. SHIMOYAMA	18.06.12	CODE NO.	CL222-2780-6-04		
		DRAWN : SJ. SATO	18.06.12		1/1		